

VOLVO

Service Manual

Fault tracing

Repairs

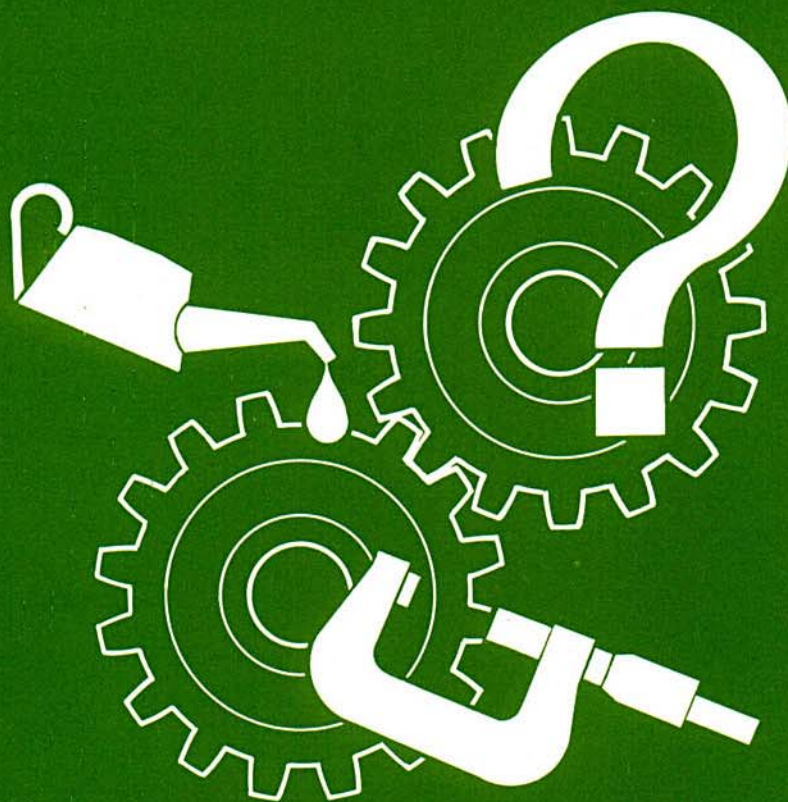
Maintenance

Section 3 (39)

Wiring Diagrams

940 1994

TP 3904202



Volvo Car Corporation

Cars with SRS

Warning

Cars equipped with a Supplemental Restraint System (SRS) must be treated extra carefully when repairs are being made. This is to help prevent:

1. Injuries when carrying out a repair.
2. Damage or malfunction of the SRS system.

Repair to either the SRS itself or a related system or component must be carried out by an authorized Volvo workshop. Refer to the appropriate SRS service manual for complete system information.

Is the car equipped with SRS?

Cars with SRS are most easily recognized by the SRS letters on the steering wheel pad. If the car is also equipped with an air bag on the passenger side, the letters 'SRS' will be embossed on the instrument panel above the glove compartment. Most cars with SRS are also equipped with pyrotechnical seat belt tensioners in the B-posts.

Dashboard or around steering column

Take care to avoid electric wiring being pinched, frayed or pierced by screws when working on firewall, knee bolster, ignition switch, steering column casings, glove compartment, instrument panel, door sills and B-posts.

Driver's seat, centre console or carpeting at left front seat

The SRS collision sensor is located under the left front seat. Do not disconnect the collision sensor connector. Never install accessories on or near the sensor. The crash sensor connector on 1992 and earlier models must **never** be disconnected.

Repairs to steering gear and column

When carrying out repairs to the steering wheel, steering gear or column always follow the repair procedures given in the appropriate SRS service manual. The contact reel in the steering column will be damaged if the steering wheel is turned more than three turns in either direction.

Test terminal

- 1992 : An unused terminal in the fusebox is used as a hook-up for SRS diagnostics. Do not install a fuse or connect an accessory to this terminal.
1993 - : Diagnostic unit B in the engine compartment is used for fault-tracing purposes.

Modifications to September 1993 included

Modifications introduced after the above date are not covered in this manual.
See Service Bulletins as applicable.

Volvos are sold in versions adapted for different markets. These adaptations depend on many factors including legal, taxation and market requirements. This manual may therefore show illustrations and text which do not apply to cars in your country.

Volvo owners planning to export their car(s) to another country should investigate the applicable safety and exhaust emission requirements. In some cases it may be impossible to comply with these requirements.

Contents

How to use the wiring diagrams	2	Group 37	
Electrical distribution unit, fuses	4	On-board diagnosis (OBD)	98
Fuses	5	Pre-routed wiring for anti-theft alarm	100
Ignition lock and relay location in engine compartment	6	Pre-routed wiring for towing hook	102
Relay location, electrical dist. unit	7		
Wiring harnesses	8	Group 38	
Connectors	9	Bulb malfunction indicator	104
Ground connections	20	Bulb malfunction indicator for cars with extra brake light	106
		Bulb malfunction indicator with brake monitor	108
Group 23		Seat belt reminder	110
LH-jetronic 2.4 multiport fuel injection system (MFI)		Seat belt reminder with ignition key warning, USA, Canada, Korea	112
(B 200 F/G, B 230 F/FB/FD/G)	22	Combined instrument	114
LH-jetronic 2.4 multiport fuel injection system (MFI)		Speedometer and tripmeter	116
(B 200 FT, B 230 FT/GT)	24	Ambient temperature gauge	118
Regina multiport fuel injection system (MFI) (B 230 F)	26		
		Group 39	
Group 26		Radio connections, 4-door	120
Engine cooling fan	28	Radio connections, 5-door	122
		Radio connections, 4-door (Radio with integrated amplifier)	124
Group 27		Radio connections, 5-door (Radio with integrated amplifier)	126
Cruise control	30		
Cruise control, function (schematic presentation)	32	Group 43	
		M 46 Overdrive	128
Group 28		AW 70/70/72 Overdrive with kickdown inhibitor AW 71/72	130
EZ 116 K Distributor ignition (DI) system		P-shift lock, automatic transmission	132
(B 200 F/G, B 230 F/FB/FD/G)	34		
EZ 116 K Distributor ignition (DI) system (B 200 FT, B 230 FT/GT)	36	Group 59	
REX-1 Distributor ignition (DI) system (B 230 F)	38	ABS Brake system	134
Group 32		Group 83	
Power supply	40	Power window lifts	136
		Central locking	138
Group 33		Power sunroof	140
Starter system	42		
Diesel preheating, overload protector and EGR (D 24 TIC)	44	Group 84	
		Heated rear window	142
Group 35		Heated rear window and door mirrors with timer relay	144
High and low beam	46	Power door mirrors	146
High and low beam, Nordic region, Netherlands, Belgium	48		
High and low beam, Great Britain	50	Group 85	
Reduced intensity low beam (DIM-DIP) Great Britain	52	Heated driver's/passenger's seat, normal output	148
High and low beam, USA	54	Heated driver's/passenger's seat, high output	150
High and low beam, Canada	56	Power seat	152
Beam width control	58	Power seat with memory	154
Parking lights, tail lights and number plate lights	60		
Parking lights, tail lights and number plate lights USA, Canada	62	Group 87	
Brake lights	64	Cabin fan, standard heater	156
Brake lights, USA, Canada	66	Manual Climate Control (MCC)	158
Backup (reversing) lights	68	Electronic Climate Control (ECC)	160
Glove compartment and vanity mirror lighting	70	Exhaust temperature sensor (Japan)	162
Interior lighting	72		
Trunk light	74	Group 88	
Instrument and control panel lights	76	SRS Supplemental Restraint System (airbag)	164
Foglights	78	SRS Supplemental Restraint System (airbag) USA, Canada	166
Foglights, Japan, Saudi Arabia, Taiwan and Overseas	80		
Foglights, USA, Canada	82	Feedback	168
Rear foglights, USA, Canada	84	List of components (foldout)	at the end of the book
		Alphabetical index	at end of book
Group 36			
Turn signals and hazard warning flashers	86		
Horn	88		
Headlight wash/wipe	90		
Windshield wash/wipe	92		
Tailgate wash/wipe	94		
Cigar lighter	96		

Order no. TP 3904032 (UK) Supersedes TP 3904031	Order no. TP 3904202 (USA/CDN) Supersedes TP 3904201
---	--

We reserve the right to make alterations to specification

How to use the wiring diagrams

Look up the relevant electrical function in the index.
 Let us say you want to look at the central locking system.
 According to the index, the central locking system is found
 on page 138.

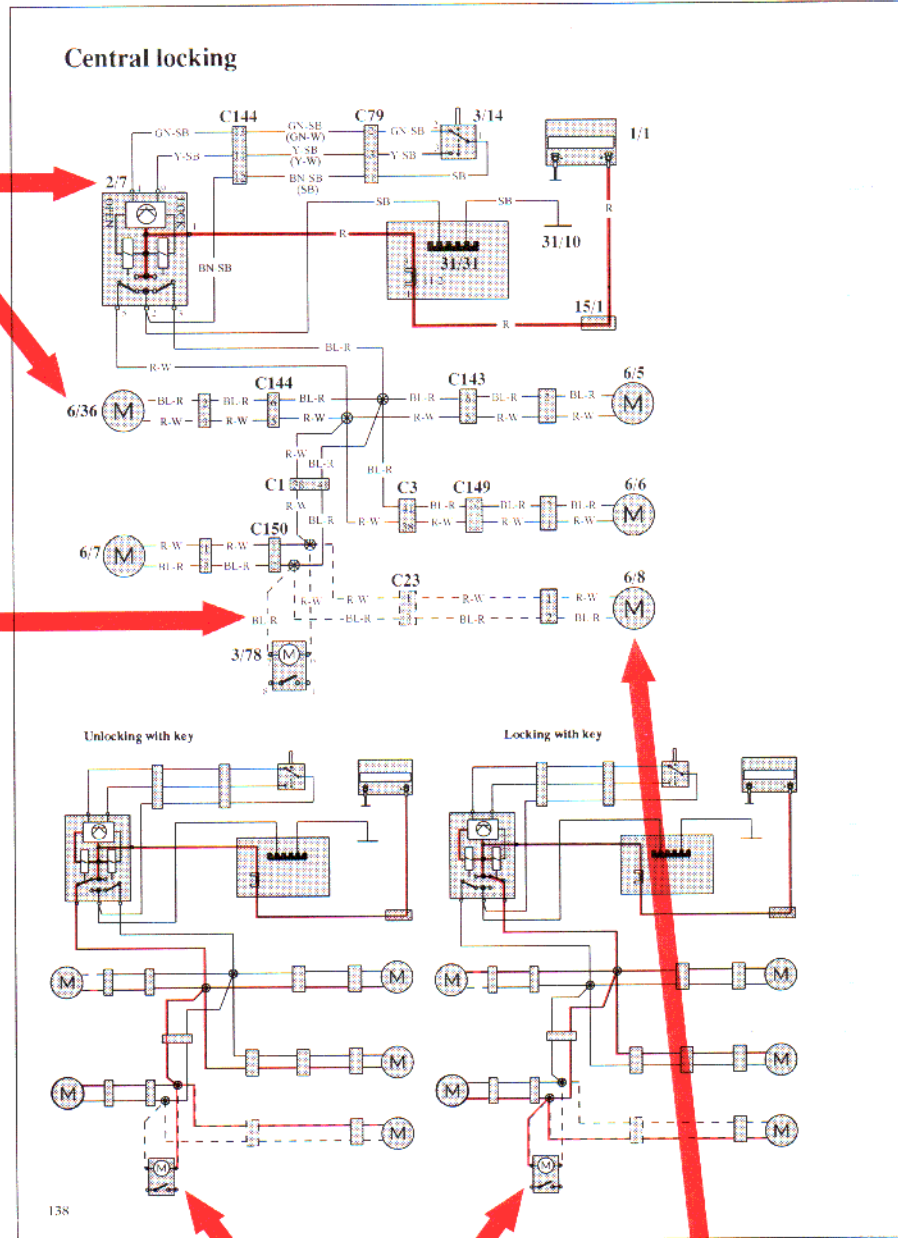
Here is a schematic presentation of how the components
 are connected to each other and their internal
 appearance.

Each component has a component designation.
 At the end of the manual there is a component
 list where you can see what each component
 is called.

Wire colours are indicated with letters of the alphabet:

SB = Black	BN = Brown	GN = Green
GR = Grey	Y = Yellow	OR = Orange
W = White	P = Pink	VO = Purple
R = Red	BL = Blue	

BL-R is thus = Blue-red.

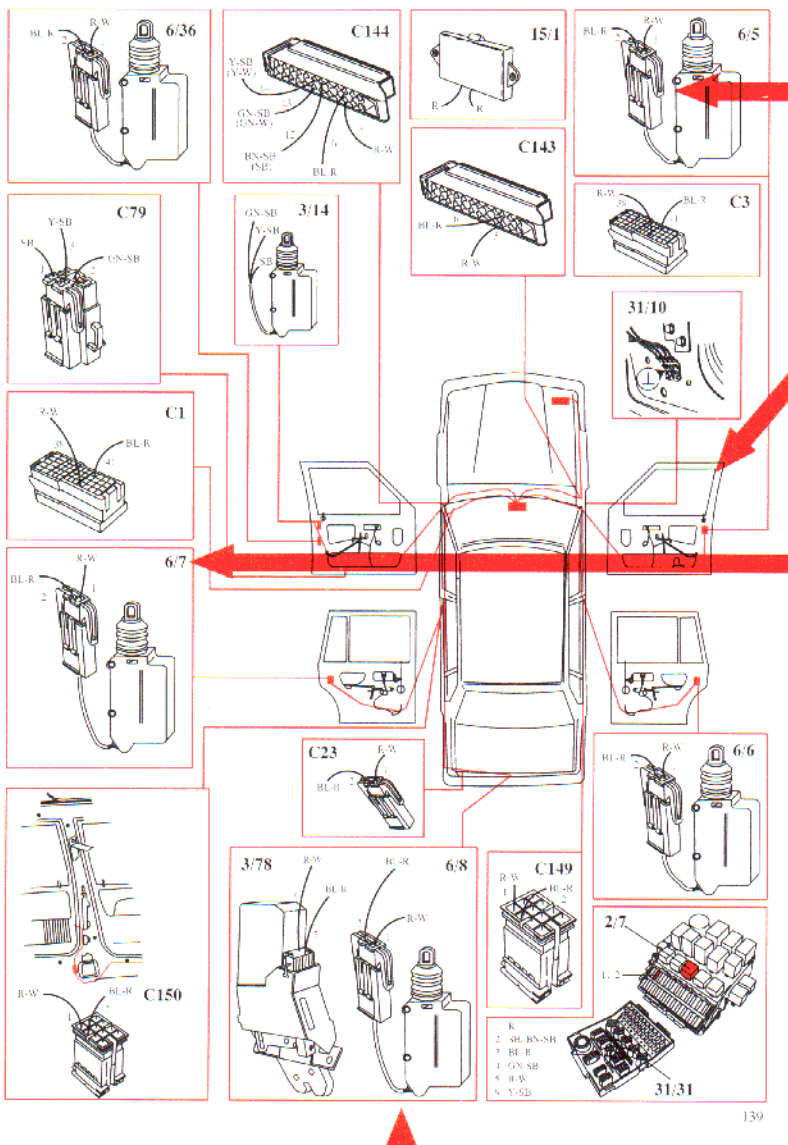


Code to colours in the wiring diagram

- = no voltage
- = system voltage
- = voltage lower than system voltage
- = ground connection
- = screened wire
- = branching point
- = intertwined wires

Here you see the voltage under operational conditions.

How to use the wiring diagrams



Here you can see how the various wires are connected to each component.

You can also see where in the car the relevant components are located and how the wires are routed.

The component designation consists of a type number and a component number, except for the connectors which feature the letters C or D and a number.

The type number (in this case 6) indicates what type of component it is, eg switch, electric motor or sensor, see the list below. The component number (7) indicates which specific component we are dealing with, eg light switch, central lock motor driver's side rear or knock sensor (KS).

List of type numbers

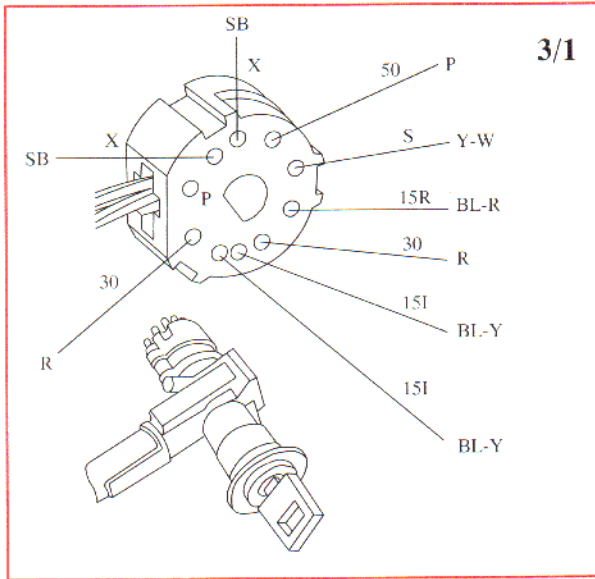
- 1 Battery
- 2 Relay
- 3 Switch
- 4 Control module
- 5 Combined instrument
- 6 Electric motor
- 7 Sensor
- 8 Actuator
- 9 Heater element
- 10 Lamp
- 11 Fuse
- 15 Distribution rail, current supply
- 16 Audio
- 17 Service socket
- 18 Bridge connector
- 19 Gauge
- 20 Ignition component
- 31 Ground connection

Use of the component ID makes it easy to switch from the component diagrams to the electrical wiring diagram itself.

Fuse no.	Function
1	Fuel pump (LH-2.4 MFI) Fuel system Distributor Ignition (DI) system Oxygen sensor (HO2S) heating (B200/230FT)
2	Hazard warning flashers Headlight flasher (via fuse 17 and 18) Central locking Anti-theft alarm
3	Power seats (Towing hook)
4	Brake lights Solenoid, P-shift lock
5	Clock Vanity mirror light Glove compartment lighting Trunk light Interior lighting Radio Power antenna Door-open warning lights CD-autochanger Anti-theft alarm
6	Electronic Climate Control (ECC) Cabin fan, Electronic Climate Control (ECC)
7	Front foglights Rear foglights (not USA, Canada)
8	Power windows
9	Turn signals Warning lights for seat belts Seat belt reminder Ignition key warning Bypass relay 15I (power windows/seat heating) Solenoid, P-shift lock (Towing hook)
10	Heated rear window Power sunroof Heated door mirrors
11	Fuel primer pump in fuel tank (LH-2.4 MFI) Fuel pump in tank (Regina MFI) Oxygen sensor (HO2S) heating
12	Backup (reversing) lights Overdrive relay Bulb malfunction indicator with brake monitor Exhaust temperature sensor (Japan) Cruise control Anti-theft alarm

Fuse no.	Functions
13	Fuel valve, diesel Pre-heating mechanism, diesel EGR diesel Solenoid, pulsed secondary air injection (PAIR) (B230FD)
14	Power door mirrors Cigar lighter Radio Tailgate washer Tailgate wiper Ambient temperature sensor
15	Relays, power seats Horn Windshield wash/wipe Headlight wash/wipe
16	Cabin fan, standard heater Cabin fan, Manual Climate Control (MCC) Electronic Climate Control (ECC)
17	Left high beam Indicator light, high beam
18	Right high beam Front fog lights (Japan, Taiwan and Saudi Arabia)
19	Left low beam Beam width control Relay, front foglights (USA/CDN)
20	Right low beam Beam width control
21	Left parking lights, front and rear Number plate lights Instrument and control panel lights Ambient temperature sensor
22	Relay, front foglights (Europe) Right parking lights, front and rear Ashtray light, rear Automatic transmission selector illumination Lighting, switches and storage compartment in centre console
23	Heated front seats
24	ABS
25	Rear foglights (USA, Canada, Japan) Disconnectable low beam (Nordic market, Netherlands, Belgium)
26	Amplifier, radio

Ignition lock and relay location in engine bay



Ignition lock

Inputs

30: two leads from battery

Outputs

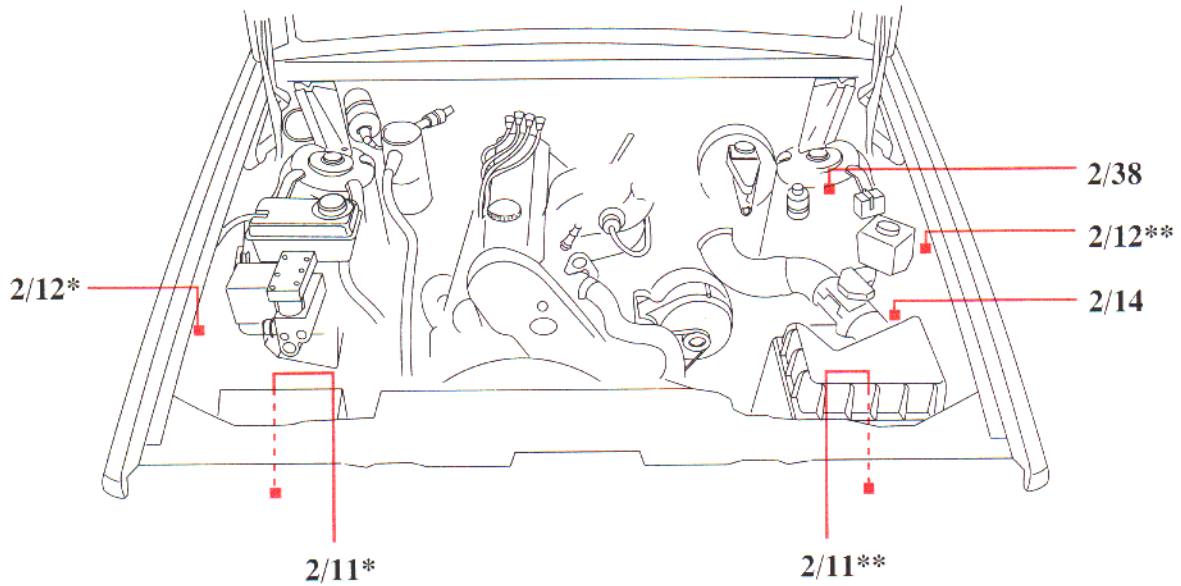
Key position:

- Key withdrawn
- 0 Off
- I Radio
- II Drive
- III Start

Voltage at connection:

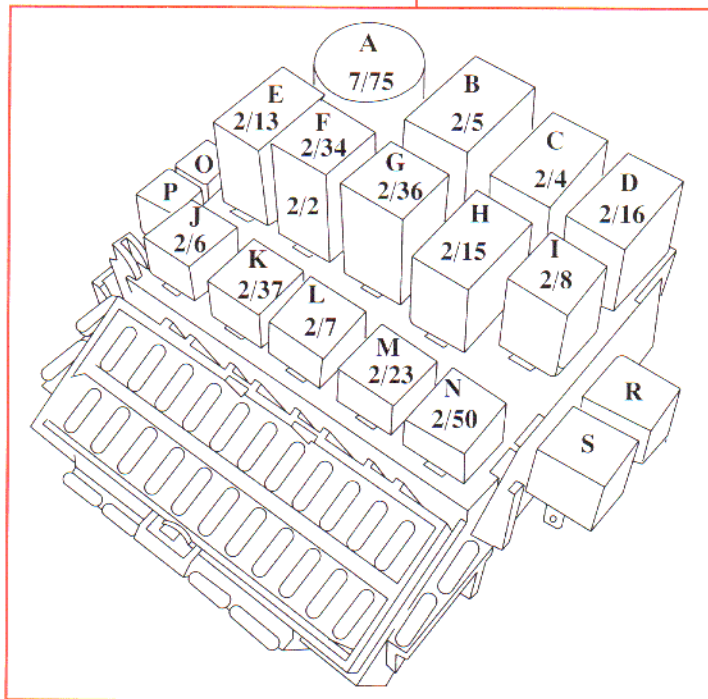
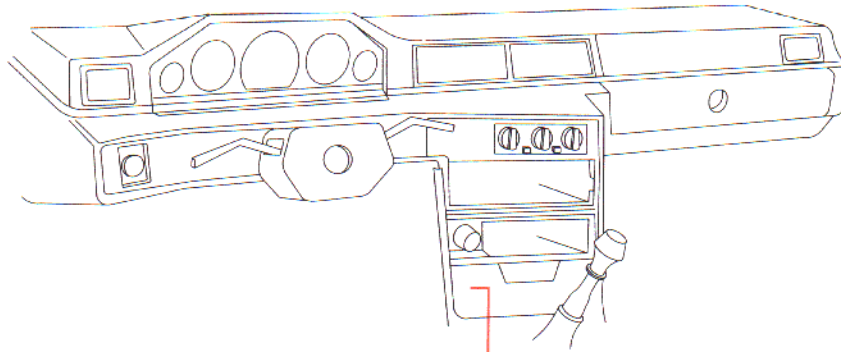
- P
- S,P
- X,S,P
- X,15R,15L,S
- 15R,50,S

Relay location in engine compartment



- 2/11* Relay, engine cooling fan (B 200 F/G, B 230 F/FB/FD/G)
- 2/11** Relay, engine cooling fan (B 200 FT, B 230 FT/GT)
- 2/12* Relay, interference suppression (B 200 F/G, B 230 F/FB/FD/G)
- 2/12** Relay, interference suppression (B 200 FT, B 230 FT/GT)
- 2/14 Relay, glow plug (D 24 TIC)
- 2/38 Timer relay, exhaust feedback EGR (D 24 TIC)

Location of relays



Relays in electrical distribution unit

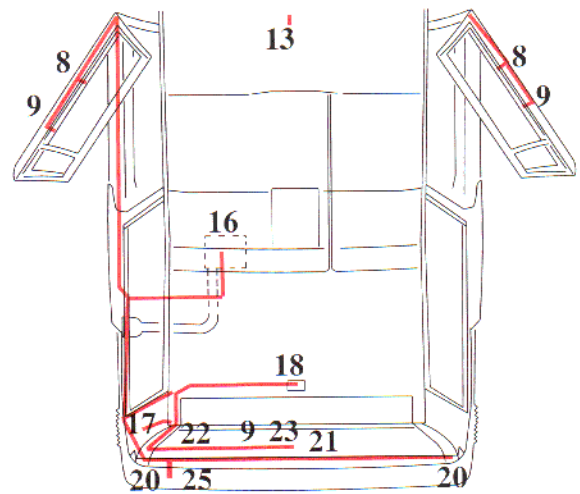
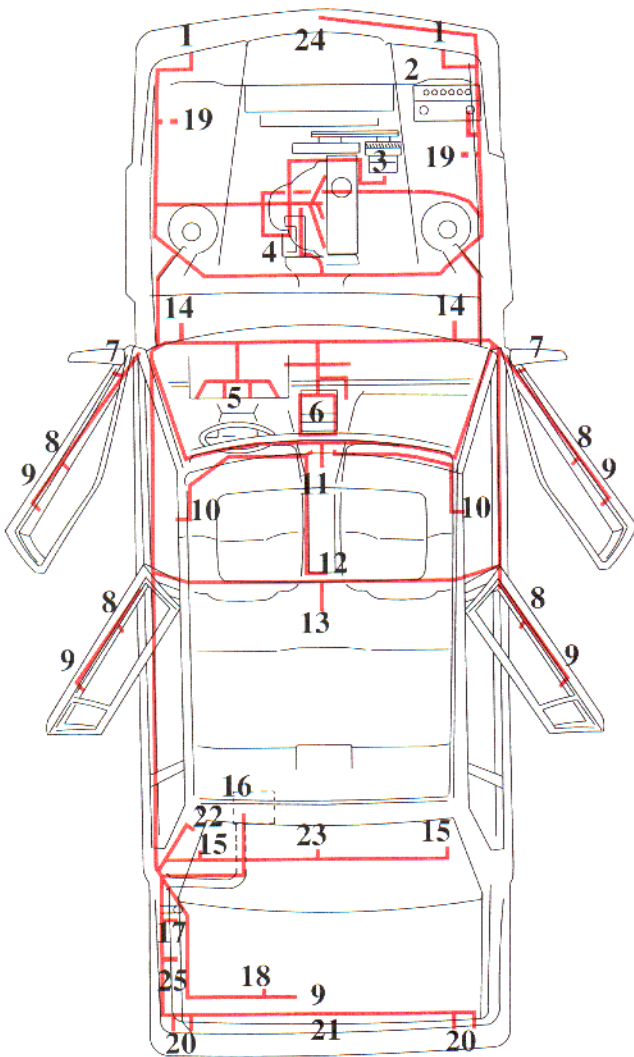
- | | | | |
|---|--|---|---|
| A | Bulb failure warning sensor (7/75) | J | Overload relay 15I (2/6)
(power windows/seat heater) |
| B | Seat belt reminder/key warning (2/5)
(USA, Canada, Korea) | K | Headlight (2/37) |
| C | Windshield wiper intermittent relay (2/4) | L | Central lock (2/7) |
| D | Tailgate wiper intermittent relay (2/16) | M | Fuel pump relay (2/23) |
| E | Fuel injection (2/13) | N | Overload relay high beam (2/50)
(not USA, Canada) |
| F | Foglights, front (2/34 or 2/2 USA, Canada) | O | - |
| G | Headlight flasher (2/36) | P | - |
| H | Exhaust temp. sensor (2/15) (Japan) | R | - |
| I | Overdrive (2/8) | S | - |

Wiring harnesses

Cable routing

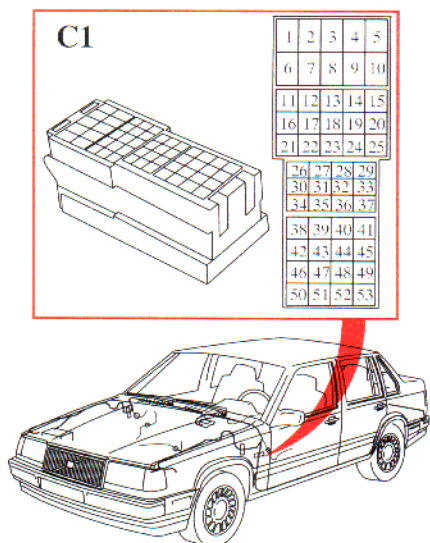
The routing of the main cables is shown in the illustration.

- | | | | |
|----|------------------------------|----|-----------------------------------|
| 1 | Front lights | 13 | Interior lighting |
| 2 | Battery | 14 | Loudspeakers, instrument panel |
| 3 | Generator | 15 | Loudspeakers, rear parcel shelf |
| 4 | Starter motor | 16 | Fuel gauge |
| 5 | Combined instrument | 17 | Power antenna |
| 6 | Electrical distribution unit | 18 | Trunk lighting |
| 7 | Power door mirrors | 19 | ABS hydraulic unit |
| 8 | Power windows | 20 | Tail lights |
| 9 | Central locking | 21 | Number plate lighting |
| 10 | Control modules, power seats | 22 | Heated rear window |
| 11 | Motor, power sunroof | 23 | Extra brake light |
| 12 | Ashtray lighting | 24 | Engine cooling fan |
| | | 25 | Pre-routed wiring for towing hook |



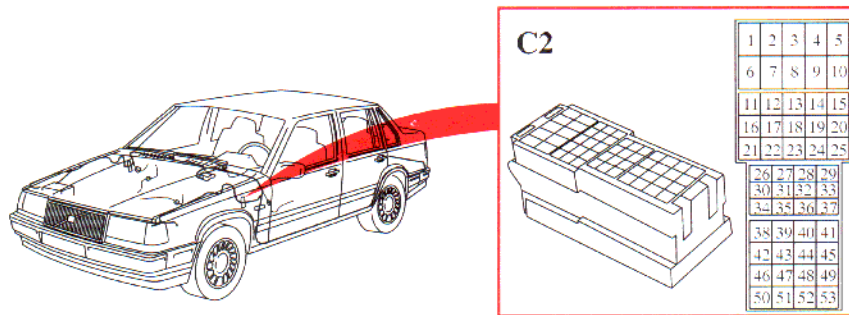
Connector at left A-post (bottom rail harness)

White connector C1 (53-pin)
Instrument panel harness - sill harness



all models		
1	Tail lights	(BN-W)
2	Tail lights	(R)
3	Brake light, left	(Y-R)
4	Brake light, right	(Y)
5	Backup (reversing) lights	(SB)
6	Number plate lights	(W)
7	Turn signal, left rear	(GN)
8	Turn signal, right rear	(BL-GN)
9	Fuel level sensor/primer pump (pump)	(GR-W)
10	Heated rear window	(Y)
11	Sensor, speedometer -	(BN-W)
12	Sensor, speedometer +	(GN-W)
13	Door switch, pre-routed interior lighting	(W-SB)
14	Towing hook pos. 10	(BL-GN)
15	Rear foglights	(GR)
16	Fuel level sensor/primer pump (pump)	(BN)
17	Fuel level sensor/primer pump (pump)	(P)
18	Extra brake light	(Y-SB)
19	Tailgate wiper	(OR)
20	Tailgate wiper	(Y-W)
21	Power antenna pos. 3	(GN-GR)
22	-	
23	-	
24	Ground connector, left A-post	(BN-GR)
25	Towing hook pos. 9	(W-SB)
26	Towing hook pos. 7	(W)
27	Towing hook pos. 5	(GR)
28	Towing hook pos. 6	(Y-BN)
29	Door-open warning light, left rear Interior lighting Trunk light Power antenna pos. 1	(GN-R)
30	Interior lighting	(BN-SB)
31	Connector, tailgate/trunk (anti-theft alarm)	(BN-OR)
32	-	
33	Loudspeaker rear parcel shelf right side +	(GN-BN)
34	Loudspeaker rear parcel shelf right side -	(GN)
35	Loudspeaker left rear door + Loudspeaker rear parcel shelf left side +	(Y-W)
36	Loudspeaker left rear door - Loudspeaker rear parcel shelf left side -	(W)
37	-	
38	Central locking, rear door Central locking, tailgate/trunk	(R-W)
39	-	
40	-	
41	Central locking rear door Central locking, tailgate/trunk	(BL-R)
42	-	
43	-	
44	-	
45	-	
46	-	
47	-	
48	-	
49	-	
50	Power window lift motor, rear door	(GN)
51	Power window lift motor, rear door	(GR)
52	-	
53	Power window lift motor, rear door ON/OFF	(P)

Connector at left A-post (wheel housing harness)



Black connector C2 (53-pin)
Instrument panel harness - left wheel housing harness

B 230 F REX-I		
1	Starter motor 50	(BL-GN)
2	High beam left	(BL-W)
3	Low beam left	(GN)
4	Horn + Windshield wiper motor pos. 1 Headlight wiper motor (not USA/CDN)	(Y)
5	Windshield wiper motor pos. 2	(GR)
6	Windshield wiper motor pos. 3	(GN-W)
7	Windshield wiper motor pos. 4	(OR)
8	Front foglights	(W-SB)
9	Control module REX-I (DI) pos. 5	(BN)
10	-	
11	On-board diagnostic (OBD) socket B pos. 5	(GR-OR)
12	On-board diagnostic (OBD) socket A pos. 3	(BL-P)
13	Turn signal, left	(GN)
14	Parking light, left	(W)
15	-	
16	Oil pressure sensor	(SB)
17	Horn -	(BL-SB)
18	Headlight wiper motor (not USA/CDN) Windshield washer motor	(BL-R)
19	Brake fluid level sensor	(VO)
20	Engine coolant temperature (ECT) sensor pos. 1	(Y-W)
21	Engine coolant temperature (ECT) sensor pos. 2	(Y-SB)
22	Generator D+	(R)
23	On-board diagnostic (OBD) socket B pos. 6	(BL-W)
24	Service socket	(P)
25	On-board diagnostic (OBD) socket A pos. 2	(GN-W)
26	Control module REX-I (DI) pos. 3	(BN-W)
27	Power amplifier/ignition coil REX-I (DI) pos. C	(R-W)
28	On-board diagnostic (OBD) socket A pos. 4 Control module REX-I (DI) pos. 6 Power amplifier/ignition coil REX-I (DI) pos. A	(BL)
29	Control module REX-I (DI) pos. 17	(Y-GR)
30	-	
31	-	
32	Washer fluid level sensor	(R-SB)
33	Washer motor, tailgate	(BL-Y)
34	Door switch	(BN-SB)
35	Door switch	(W-SB)
36	-	
37	-	
38	Ambient temperature sensor	(GN-Y)
39	Ambient temperature sensor	(GN-R)
40	Anti-theft alarm, connector D4 pos. 1	(GR-W)
41	Anti-theft alarm, connector D4 pos. 2	(BN-P)
42	Control module cruise control pos. 10	(BN-GR)
43	Control module cruise control pos. 2	(P-SB)
44	Control module cruise control pos. 7	(BN-OR)
45	Control module cruise control pos. 11	(BL-OR)
46	Control module cruise control pos. 6	(BL-GR)
47	Control module cruise control pos. 4	(OR-W)
48	Control module cruise control pos. 3	(OR-SB)
49	Control module cruise control pos. 13	(GN-OR)
50	-	
51	-	
52	-	
53	-	

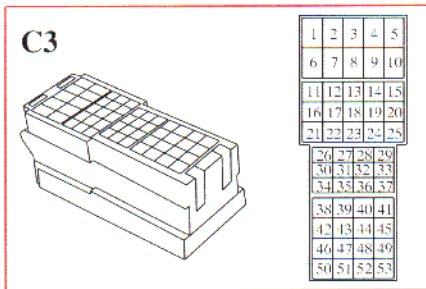
Connector at left A-post (wheel housing harness)

Black connector C2 (53-pin)
Instrument panel - left wheel housing

B200F/FT,B230F/FB/FD/G/FT/GT-EZK (DI)		D24/D24TIC	
1	Starter motor 50 (BL-GN)	Starter motor 50 (BL-GN)	Relay, glowplug mechanism pos. 3
2	High beam, left (BL-W)	High beam, left (BL-W)	
3	Low beam, left (GN)	Low beam, left (GN)	
	Beam width control (Germany) (GN-BN)	Beam width control (Germany) (GN-BN)	
4	Hom + (Y)	Hom + (Y)	
	Windshield wiper motor pos. 1	Windshield wiper motor pos. 1	
	Headlight wiper motor (not USA/CDN)	Headlight wiper motor	
5	Windshield wiper motor pos. 2 (GR)	Windshield wiper motor pos. 2 (GR)	
6	Windshield wiper motor pos. 3 (GN-W)	Windshield wiper motor pos. 3 (GN-W)	
7	Windshield wiper motor pos. 4 (OR)	Windshield wiper motor pos. 4 (OR)	
8	Front foglights (W-SB)	Front foglights (W-SB)	
9	Control module EZK (DI) pos. 5 (not FT/GT) (BL)	Relay, glowplug mechanism pos. 4 (BL)	Pos. 3, connector C51 at left suspension tower
10	B200FT, B230FT/GT: Battery + (BN)	-	
	Relay, radio interference suppression pos. 4		
11	On-board diagnostic (OBD) socket B pos. 5 (GR-OR)	On-board diagnostic (OBD) socket B pos. 5 (GR-OR)	
12	On-board diagnostic (OBD) socket A pos. 3 (BL-P)	On-board diagnostic (OBD) socket A pos. 3 (BL-P)	
13	Turn signal, left (GN)	Turn signal, left (GN)	
14	Parking lights, left (W)	Parking lights, left (W)	
15	Beam width control (Germany) (GR)	Beam width control (Germany) (GR)	
16	Oil pressure sensor (SB)	Oil pressure sensor (SB)	
17	Hom - (BL-SB)	Hom - (BL-SB)	
18	Headlight wiper motor (not USA/CDN) (BL-R)	Headlight wiper motor (BL-R)	
	Windshield washer motor (not FT/GT)		
19	Brake fluid level sensor (VO)	Brake fluid level sensor (VO)	
20	Engine coolant temperature (ECT) sensor pos. 1 (Y-W)	Engine coolant temperature (ECT) sensor pos. 1 (Y-W)	
21	Engine coolant temperature (ECT) sensor pos. 2 (Y-SB)	Engine coolant temperature (ECT) sensor pos. 2 (Y-SB)	
22	Generator D+ (R)	Generator D+ (R)	
23	On-board diagnostic (OBD) socket B pos. 6 (BL-W)	On-board diagnostic (OBD) socket B pos. 6 (BL-W)	
24	Service socket (P)	Service socket (P)	
25	On-board diagnostic (OBD) socket A pos. 2 (GN-GR)(GN-W)	-	
26	Ignition Control Module (ICM) pos. 3 (BN-W)	-	
27	Power amplifier EZK (DI) pos. 1 (R-W)	Generator W (R-W)	
28	Ignition Control Module (ICM) pos. 6 (BL)	On-board diagnostic (OBD) socket A pos. 4 (BL)	
	Power amplifier EZK (DI) pos. 4		
	On-board diagnostic (OBD) socket A pos. 4		
	Converter, EGR (B230FD and B230FT California)		
29	Ignition Control Module (ICM) pos. 17 (Y-GR)	-	
30	-	Pressure sensor, turbodiesel (D24TIC) (Y-R)	
31	-	-	
32	B200FT, B230FT/GT: Ignition Control Module (ICM) pos. 5 (BN)(BN-W)	-	
	Others: Washer fluid level sensor (R-SB)(BL-W)		
33	B200FT, B230FT/GT: Relay, radio interference suppression pos. 2 (BL-Y)	-	
	Others: Wiper motor, tailgate		
34	Door switch (BN-SB)	Door switch (BN-SB)	
35	Door switch (W-SB)	Door switch (W-SB)	
36	-	-	
37	Ignition Control Module (ICM) pos. 4 (GR-R)	Relay, glowplug mechanism pos. 1 (OR)	
38	Ambient temperature sensor (GN-Y)	Ambient temperature sensor (GN-Y)	
39	Ambient temperature sensor (GN-R)	Ambient temperature sensor (GN-R)	
40	Anti-theft alarm, connector D4 pos. 1 (GR-W)	Anti-theft alarm, connector D4 pos. 1 (GR-W)	
41	Anti-theft alarm, connector D4 pos. 2 (BN-P)	Anti-theft alarm, connector D4 pos. 2 (BN-P)	
42	Control module cruise control pos. 10 (BN-GR)	-	
43	Control module cruise control pos. 2 (P-SB)	-	
44	Control module cruise control pos. 7 (BN-OR)	-	
45	Control module cruise control pos. 11 (BL-OR)	-	
46	Control module cruise control pos. 6 (BL-GR)	-	
47	Control module cruise control pos. 4 (OR-W)	-	
48	Control module cruise control pos. 3 (OR-SB)	-	
49	Control module cruise control pos. 13 (GN-OR)	-	
50	B230FD: Solenoid valve, pulsed secondary air injection (PAIR) (BL-W)	-	
51	-	-	
52	-	-	
53	-	-	

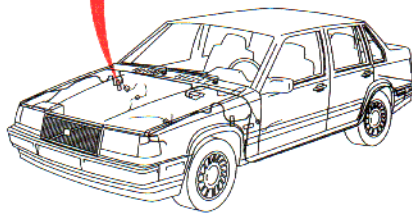
Connector at right A-post (wheel housing harness and sill harness)

Connector C3 (pos. 1-25 in 53-pin)
Instrument panel harness - right wheel
housing harness



C3

1	2	3	4	5
6	7	8	9	10
11	12	13	14	15
16	17	18	19	20
21	22	23	24	25
26	27	28	29	
30	31	32	33	
34	35	36	37	
38	39	40	41	
42	43	44	45	
46	47	48	49	
50	51	52	53	



B200F/G/FT, B230F/FB/FD/G/FT/GT

1	High beam, right	(R-W)
2	Low beam, right	(GN-W)
	Beam width control (Germany)	(GN-BN)
3	Turn signal, right	(BL-GN)
4	Parking light, right	(GR)
5	<u>B200FT, B230FT/GT:</u> Washer motor, tailgate	(BL-Y)
	Others: LH/Regina control module (MFI) pos. 30	(P-W)
6	<u>B200FT, B230FT/GT:</u> LH (MFI) control module pos. 12	(GN-GR)
	Others with E/ZK (DI): Ignition coil 15	(BL)
7	<u>B200FT, B230FT/GT:</u> LH (MFI) control module pos. 30	(BN)
	Others:	
	Battery +	
	Relay, radio interference suppression pos. 2 and 4	
8	Oxygen sensor (HO2S) heating	(P)
9	LH/Regina control module (MFI) pos. 9	(BL-Y)
	Idle air control (IAC) valve pos. 1	
	Relay, radio interference suppression pos. 2 (not FT/GT)	
	Mass air flow sensor (MAF) pos. 5	
	<u>B200FT, B230FT/GT:</u>	
	PTC-resistor	
10	LH/Regina control module (MFI) pos. 35	(BL)
11	LH/Regina control module (MFI) pos. 22	(BN-W)
12	LH/Regina control module (MFI) pos. 4	(BN) (W)
13	Front foglights	(W-SB)
14	LH/Regina control module (MFI) pos. 20	(Y-SB)
15	Headlight wiper motor (not USA/CDN)	(Y)
	LH/Regina control module (MFI) pos. 26 (USA/CDN)	(W-SB)
16	Beam width control (Germany)	(GR)
17	Headlight wiper motor (not USA, CDN)	(BL-R)
	<u>B230FT USA, CDN:</u>	
	Washer motor	
	<u>B200FT, B230FT/GT EU/OS:</u>	
	Headlight wiper motor	
	Washer motor	
18	LH/Regina control module (MFI) pos. 1	(Y-GR)
19	LH control module (MFI) pos. 28	(GR-R)
20	-	
21	LH control module (MFI) pos. 15	(GN-Y)
22	LH/Regina control module (MFI) pos. 21	(R)
23	-	
24	<u>B200FT, B230FT/GT:</u>	
	Washer fluid level sensor	(BL-W)
	Others:	
	LH/Regina control module (MFI) pos. 12	(GN-W)
25	LH/Regina control module (MFI) pos. 34	(VO-W)

Connector C3 (pos. 26-53 in 53-pin)
Instrument panel harness - sill harness

26	-	
27	-	
28	-	
29	Door-open warning light, right rear	(GN-R)
30	Door switch, front and rear doors	(W-SB) (BN-SB) (BL-SB)
31	Door switch, front door	(W-SB)
32	Side turn signal repeaters	(BL-GN)
33	-	
34	-	
35	Loudspeaker, right rear door +	(Y-W)
36	Loudspeaker, right rear door -	(W)
37	-	
38	Central locking, rear door	(R-W)
39	-	
40	-	
41	Central locking, rear door	(BL-R)
42	-	
43	-	
44	-	
45	-	
46	-	
47	-	
48	-	
49	-	
50	Power window lift motor, rear door	(GN)
51	Power window lift motor, rear door	(GR)
52	-	
53	Power window lift motor, rear door ON/OFF	(P)

Connector at right A-post (wheel housing harness and door sill harness)

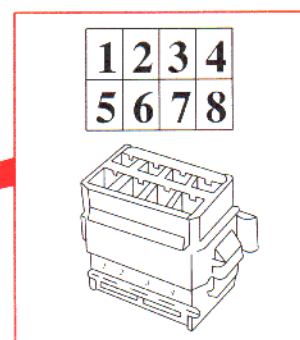
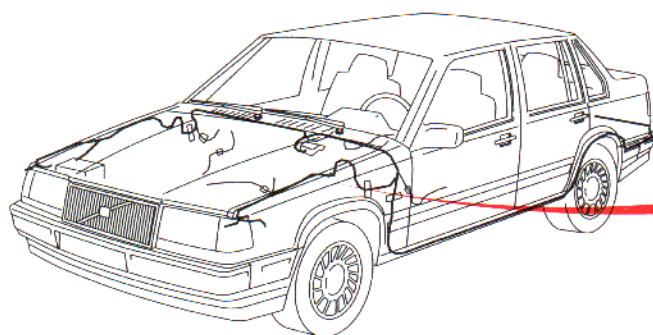
Connector C3 (pos. 1-25 in 53-pin)
Instrument panel harness - right wheel
housing harness

D24/D24TIC	
1	High beam, right (R-W)
2	Low beam, right (GN-W)
	Beam width control (Germany) (GN-BN)
3	Turn signal, right (BL-GN)
4	Parking light, right (GR)
5	Washer motor, tailgate (BL-Y)
6	-
7	-
8	-
9	-
10	-
11	-
12	-
13	Front foglights (W-SB)
14	-
15	Headlight wiper motor (Y)
16	Beam width control (Germany) (GR)
17	Headlight wiper motor (BL-R)
	Washer motor
18	-
19	-
20	-
21	-
22	-
23	-
24	Washer fluid level sensor (BL-W)
25	-

Connector C3 (pos. 26-53 in 53-pin)
Instrument panel harness - door sill harness

26	-
27	-
28	-
29	Door-open warning light, right rear (GN-R)
30	Door switch, front and rear doors (BL-SB)
31	Door switch, front door (W-SB)
32	Side turn signal repeater (BL-GN)
33	-
34	-
35	Loudspeaker, right rear door + (Y-W)
36	Loudspeaker, right rear door - (W)
37	-
38	Central locking, rear door (R-W)
39	-
40	-
41	Central locking, rear door (BL-R)
42	-
43	-
44	-
45	-
46	-
47	-
48	-
49	-
50	Power window lift motor, rear door (GN)
51	Power window lift motor, rear door (GR)
52	-
53	Power window lift motor, rear door ON/OFF (P)

Connector in engine compartment at left suspension tower



B200F/G, B230F/FB/FD/G-EZK

B200FT, B230FT/GT

Connector C50 (8-pin)

Connector C50 (8-pin)

1	-		Injector 1	(GN)
2	Pos. 1, connector C137 at right suspension tower (4-pin)	(BL-GN)	Injector 2	(GN)
3	Pos. 2, connector C137 at right suspension tower (4-pin)	(BL-R)	Injector 3	(GN)
4	Pos. 3, connector C137 at right suspension tower (4-pin)	(BL-W)	Injector 4	(GN)
5	Pos. 4, connector C137 at right suspension tower (4-pin)	(BL-Y)	-	
6	Pos. 3, connector C55 at right suspension tower (4-pin)	(Y-W)	-	
7	Control module LH (MFI) pos. 25 via pos. 2, connector C55 at right suspension tower	(Y)	Control module LH (MFI) pos. 25 via pos. 2, connector C55 at right suspension tower	(Y)
8	-		-	

Connector C51 (8-pin)

Connector C51 (8-pin)

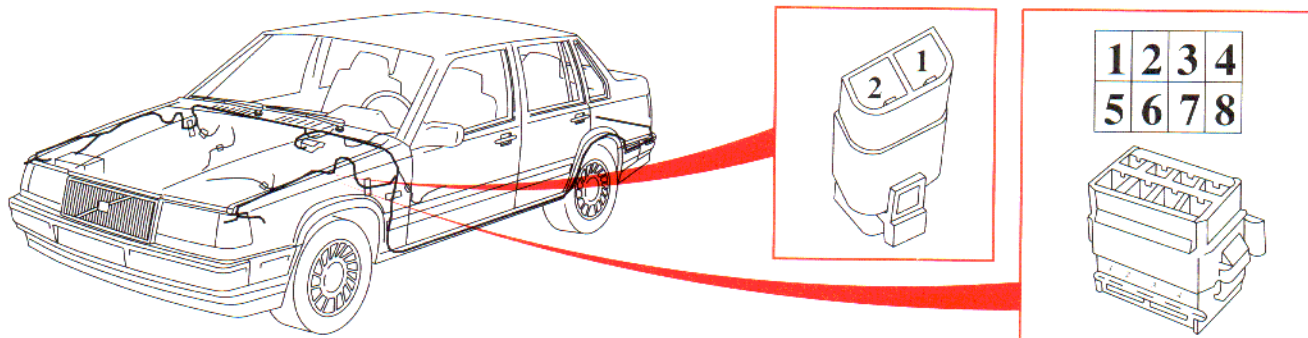
1	Engine coolant temperature (ECT) sensor pos. 1	(Y-W)	Engine coolant temperature (ECT) sensor pos. 1	(Y-W)
2	Oil pressure sensor	(SB)	Oil pressure sensor	(SB)
3	Ground, control module EZK pos. 20	(BN) (BN-SB)	Ground, ICM pos. 20	(BN)
4	Generator D+	(R)	Generator D+	(R)
5	Starter motor 50	(BL-GN)	Starter motor 50	(BL-GN)
6	Throttle position (TP) switch pos. 1 Pos. 8, connector C54 at right suspension tower	(OR)	Throttle position (TP) switch pos. 1 Pos. 8, connector C54 at right suspension tower	(OR)
7	Engine coolant temperature (ECT) sensor fuel/ignition (MFI/DI) pos. 2	(R-SB)	Engine coolant temperature (ECT) sensor fuel/ignition (MFI/DI) system pos. 2	(R-SB)
8	Engine coolant temperature (ECT) sensor pos. 2	(Y-SB)	Engine coolant temperature (ECT) sensor pos. 2	(Y-SB)

Connector C132 (8-pin)

Connector C132 (8-pin)

1	Ignition coil 1	(R-W)	Ignition coil 1	(R-W)
2	<u>All:</u> Ground, power amplifier EZK (DI) B230FD and B230FT California: Ground, control module EZK (DI) pos. 14	(SB)	<u>All:</u> Ground, power amplifier EZK (DI) California: Ground, ICM pos. 14	(SB)
3	B230FD and B230FT California: Temp. sensor, IGR pos. 1	(Y-SB)	Temperature sensor IGR pos. 1 (California)	(Y-SB)
4	Temp. sensor, IGR pos. 1	(Y-SB)	-	
5	Mass air flow (MAF) sensor pos. 1	(BN)	Ignition coil 15	(BL)
6	Knock sensor (KS) pos. 1	(GN)	Knock sensor (KS) pos. 1	(GN)
7	Knock sensor (KS) pos. 2	(SB)	Knock sensor (KS) pos. 2	(SB)
8	Control module LH (MFI) pos. 31 via pos. 4, connector C55 at right suspension tower (B230FD)	(Y-R)	-	

Connectors in engine compartment at left suspension tower



B 230 F, REX-I

D24/D24TIC

Connector C50 (8-pin)

1	Pos. 2, connector C137 at right suspension tower (4-pin)	(BL-R)
2	Ground, control module REX-I (DI), pos. 20 Ground, power amplifier/ignition coil REX-I (DI), pos. A	(BN)
3	Pos. 3, connector C137 at right suspension tower (4-pin)	(BL-SB)
4	Pos. 4, connector C137 at right suspension tower (4-pin)	(GN)
5	Control module Regina (MFI) pos. 25, via pos. 2, connector C55 at right suspension tower	(Y)
6	Knock sensor (KS) pos. 1	(GN)
7	Knock sensor (KS) pos. 2	(SB)
8	Pos. 1, connector C137 at right suspension tower (4-pin)	(BN-SB)

Connector C51 (8-pin)

1	Engine coolant temperature (ECT) sensor pos. 1	(Y-W)
2	Oil pressure sensor	(SB)
3	Ground, power amplifier/ignition coil REX-I pos. B	(SB)
4	Generator D+	(R)
5	Starter motor 50	(BL-GN)
6	Throttle position (TP) switch pos. 1 Pos. 8, connector C54 at right suspension tower	(OR)
7	Engine coolant temperature (ECT) sensor fuel/ignition (MFI/DI) system pos. 2	(R-SB)
8	Engine coolant temperature (ECT) sensor pos. 2	(Y-SB)

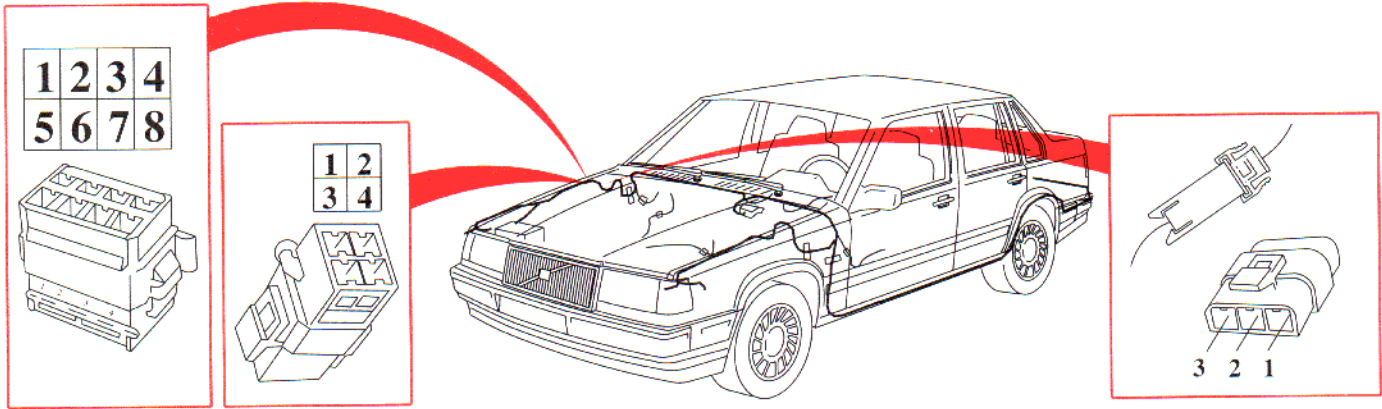
Connector C51 (8-pin)

1	Engine coolant temperature (ECT) sensor pos. 1	(Y-W)
2	Oil pressure sensor Fuel valve	(SB)
3	Timer relay, exhaust gas recirculation (EGR) pos. 4 Idle air control (IAC) switch, EGR	(BL)
4	Generator D+	(R)
5	Starter motor 50	(BL-GN)
6	Engine coolant temperature (ECT) sensor diesel	(BN)
7	Generator W	(R-W)
8	Engine coolant temperature (ECT) sensor pos. 2	(Y-SB)

Connector C117 (2-pin)

1	Pressure sensor, turbodiesel (D24TIC)	(Y-R)
2	-	

Connectors in engine compartment at right suspension tower



B230F, REX-I (DI)

B200FT, B230FT/GT

Connector C54 (8-pin)

Connector C54 (8-pin)

1	Idle air control (IAC) valve pos. 3	(R-SB)	Idle air control (IAC) valve pos. 2	(R-SB)
2	Solenoid coupling, A/C	(GN-R)	Solenoid coupling A/C	(GN-R)
3	-		Idle air control (IAC) valve pos. 1	(BL-Y)
4	Engine coolant temperature (ECT) sensor, fuel/ignition (MFI/DI) system pos. 1	(GR-W)	Engine coolant temp. (ECT) sensor fuel/ignition (MFI/DI) system pos. 1	(GR-W)
5	-		-	
6	Ground, Regina (MFI) control module	(SB)	Ground, LII (MFI) control module	(SB)
7	Throttle position (TP) switch pos. 3	(R-W)	Throttle position (TP) switch pos. 3 from high-output system (accessory)	(R-W)
8	Throttle position (TP) switch pos. 1 Pos. 6, connector C51 at left suspension tower	(OR)	Throttle position (TP) switch pos. 1 Pos. 6, connector C51 at left suspension tower	(OR)

Connector C55 (8-pin)

Connector C55 (8-pin)

1	-		-	
2	Control module REX-I (DI) pos. 8 via pos. 5, connector C50 at left suspension tower	(Y)	ICM pos. 8 via pos. 7, connector C50 at left suspension tower	(Y)
3	-		High-power system (accessory) from LII (MFI) control module pos. 28	(GR-R)
4	-		-	
5	Ground, Regina (MFI) control module	(SB)	Ground, mass air flow (MAF) sensor	(BN)
6	Injections IAC pos. 1 via splice	(GN-R) (GN)	-	
7	Injectors	(GR)	Injectors	(GR)
8	Ground, Regina (MFI) control module	(BN)	Ground, LII (MFI) control module	(BN)

Connector C137 (4-pin)

1	Pressure sensor, intake manifold, air temp. sensor via pos. 8, connector C50 at left suspension tower	(BN-SB)
2	Pressure sensor, intake manifold via pos. 1, connector C50 at left suspension tower	(BL-R)
3	Pressure sensor, intake manifold via pos. 3, connector C50 at left suspension tower	(BL-SB)
4	Air temp. sensor via pos. 4, connector C50 at left suspension tower	(GN)

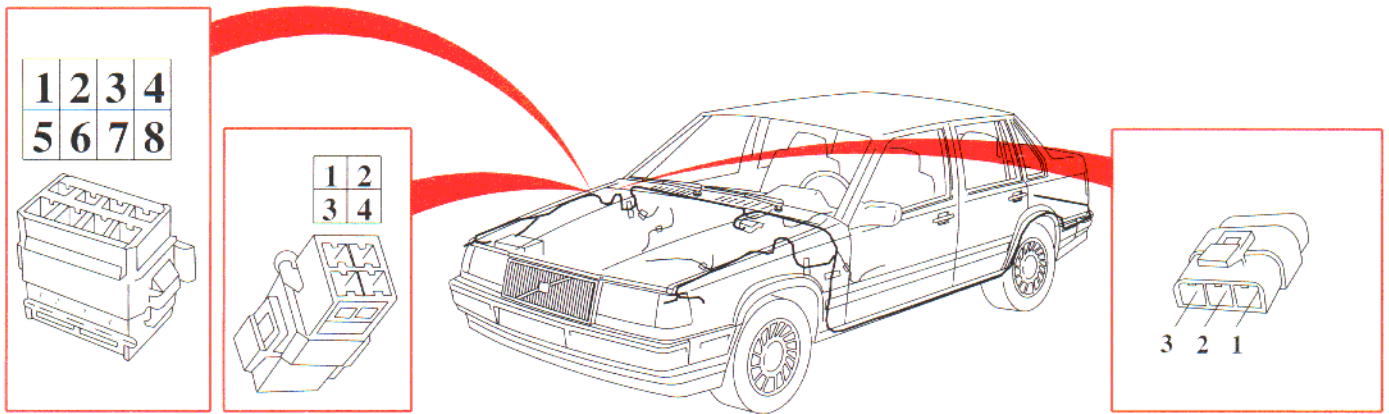
Connector C154 (1-pin)

1	High-pressure sensor A/C pos. 2	(GN-R)
---	---------------------------------	--------

Connector C154 (3-pin)

1	Low-speed pressure sensor, engine cooling fan Relay, engine cooling fan pos. 1B	(BL-SB)
2	High-speed pressure sensor, engine cooling fan Relay, engine cooling fan pos. 2B	(W-SB)
3	High-pressure sensor A/C pos. 2	(GN-R)

Connectors in engine compartment at right suspension tower



B200F/G, B230F/FB/FD/G-EZK (DI)

Connector C54 (8-pin)

1	Idle air control (IAC) valve pos. 2	(R-SB)
2	Solenoid coupling A/C	(GN-R)
3	Idle air control (IAC) valve pos. 1	(BL-Y)
4	Engine coolant temperature (ECT) sensor, fuel/ignition (MFI/DI) system pos. 1	(GR-W)
5	-	
6	Ground, LH (MFI) control unit	(SB)
7	Throttle position (TP) switch pos. 3	(R-W)
8	Throttle position (TP) switch pos. 1	(OR)
Pos. 6, connector C51 at left suspension tower		

Connector C55 (8-pin)

1	-	
2	Control module EZK (DI) pos. 8 via pos. 7, connector C50 at left suspension tower	(Y)
3	Mass air flow (MAF) sensor pos. 6 via pos. 6, connector C50 at left suspension tower (B200/230G)	(Y-W)
4	Solenoid valve pulsed secondary air injection (PAIR) via pos. 8	(Y-R)
5	Ground, LH (MFI) control unit	(BN)
6	Injectors	(GN-R)
7	Injectors	(GR)
8	Ground, LH (MFI) control module	(BN)

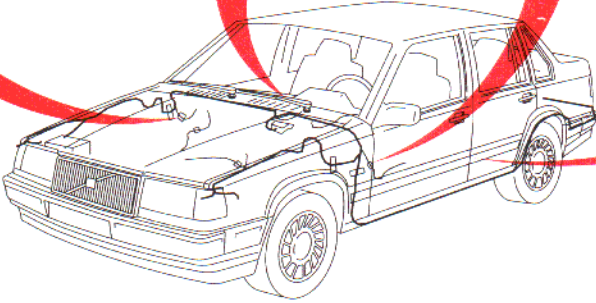
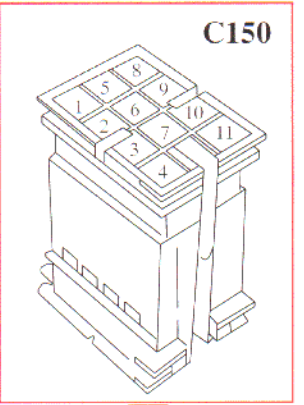
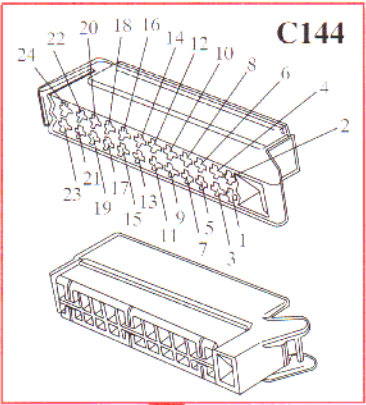
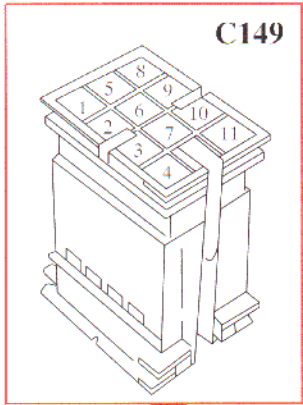
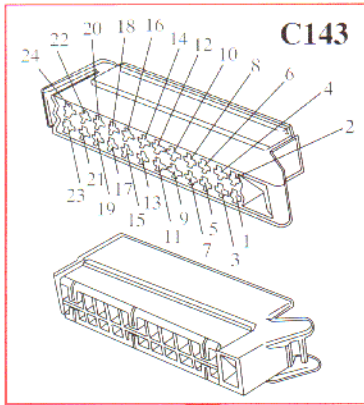
Connector C137 (4-pin)

1	Mass air flow (MAF) sensor pos. 2 via pos. 2, connector C50 at left suspension tower	(BL-GN)
2	Mass air flow (MAF) sensor pos. 3 via pos. 3, connector C50 at left suspension tower	(BL-R)
3	Mass air flow (MAF) sensor pos. 4 via pos. 4, connector C50 at left suspension tower	(BL-W)
4	Mass air flow (MAF) sensor pos. 5 via pos. 5, connector C50 at left suspension tower	(BL-Y)

Connector C154 (3-pin)

1	Low-speed pressure sensor, engine cooling fan Relay, engine cooling fan pos. 1B	(BL-SB)
2	High-speed pressure sensor, engine cooling fan Relay, engine cooling fan pos. 2B	(W-SB)
3	High-pressure sensor, A/C	(GN-R)

Connectors for doors



Connector **C143** (24-pin) at A-post passenger's side

1	Warning light	(GN-R)
2	Warning light	(W-SB)
3	Loudspeaker +	(GR-W) (Y-W)
4	Loudspeaker -	(GR)(W)
5	Central lock, unlocking	(R-W)
6	Central lock, locking	(BL-R)
7	Heating, power door mirrors	(BL-GN)
8	Power door mirrors	(BL-W)
9	Power door mirrors	(BN-W)
10	-	
11	Power door mirrors	(GN-W)
12	-	
13	-	
14	-	
15	-	
16	-	
17	-	
18	-	
19	-	
20	-	
21	Ground connector, power door mirrors	(SB)
22	Window lift motor	(BL)
23	Window lift motor	(GR-R)
24	Window lift motor, supply	(Y-R)

Connector **C144** (24-pin) at A-post, driver's side

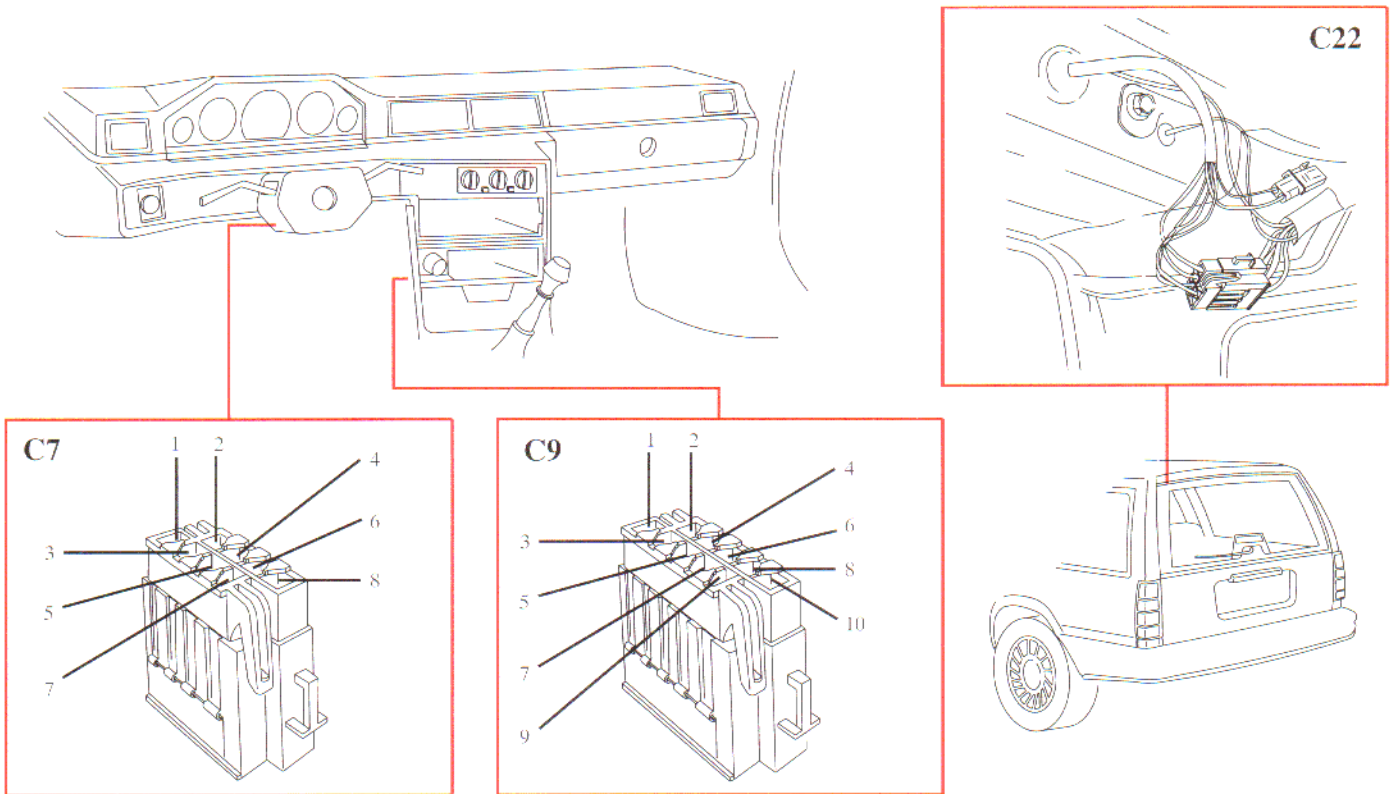
1	Warning light	(GN-R)
2	Warning light	(W-SB)
3	Loudspeaker +	(BL-W) (Y-W)
4	Loudspeaker -	(W)
5	Central lock, unlocking	(R-W)
6	Central lock, locking	(BL-R)
7	Heating, power door mirrors	(BL-GN)
8	Power door mirrors passenger's door	(BL-W)
9	Power door mirrors passenger's door	(BN-W)
10	Power door mirrors, supply	(OR)
11	Power door mirrors passenger's door	(GN-W)
12	Ground connection, central locking	(SB) (BN-SB)
13	Central lock, unlocking	(GN-W) (GN-SB)
14	Central lock, locking	(Y-W) (Y-SB)
15	Window lift motor rear door pass. side	(BN)
16	Window lift motor rear door pass. side	(Y)
17	Window lift motor rear door driver's side	(GN)
18	Window lift motor rear door driver's side	(GR)
19	ON/OFF power window lift motors, rear doors	(P)
20	Window lift motor supply	(Y-R)
21	Ground connection, power window lift motors, power door mirrors	(SB)
22	Window lift motor passenger's door	(BL)
23	Window lift motor passenger's door	(R)
24	-	

Connector **C149** (11-pin) at B-post, passenger's side

1	Central lock, unlocking	(R-W)
2	Central lock, locking	(BL-R)
3	Warning light door	(GN-R)
4	Warning light door	(W-SB)
5	Window lift motor ON/OFF	(P)
6	Window lift motor	(BN)
7	Window lift motor	(R)
8	Loudspeaker +	(Y-W)
9	Loudspeaker -	(W)
10	-	
11	-	

Connector **C150** (11-pin) at B-post, driver's side

1	Central lock, unlocking	(R-W)
2	Central lock, locking	(BL-R)
3	Warning light door	(GN-R)
4	Warning light door	(W-SB)
5	Window lift motor ON/OFF	(P)
6	Window lift motor	(BN)
7	Window lift motor	(R)
8	Loudspeaker +	(Y-W)
9	Loudspeaker -	(W)
10	--	
11	--	



Connector **C7** (8-pin) at steering column

1	Brake light switch Relay P-shift lock, pos. 1	(Y-BN)
2	Brake light switch	(GN-Y)
3	Switch, brake pedal	(W-SB)
4	Switch, brake pedal or switch, clutch pedal	(OR-SB)
5	Relay P-shift lock, pos. 2 Bridge connector to pin 6	(P)
6	Bridge connector to pin 5	(P)
7	Relay P-shift lock, pos. 3	(BN)
8	Relay P-shift lock, pos. 4	(BN-W)

Connector **C9** (10-pin) at centre console

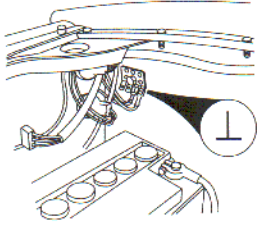
1	Seat belt lock, driver's seat pos. 3	(GN)
2	Parking brake switch	(BN)
3	Ashtray lighting Switch light, seat heater	(GR)
4	-	
5	-	
6	Ashtray lighting Switch lighting, seat heating	(BL)
7	-	
8	Switch, heated driver's seat	(R-SB)
9	Switch, heated passenger's seat	(R-SB)
10	Ground connection, radio pos. A12	(SB)

Connector **C22** (6-pin) at tailgate (5-door estate)

1	Heated rear window	(Y)
2	Number plate lights	(W)
3	Tailgate wiper	(OR)
4	Tailgate wiper	(Y-W)
5	Extra brake light	(Y-SB)
6	Number plate lights Tailgate wiper Heated rear window Extra brake light	(SB)

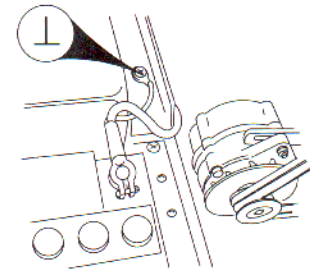
Ground connections

31/1



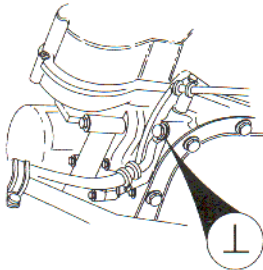
Right front light
 Right turn signal, front
 Right parking light, front
 (Washer motors)
 (Washer fluid level sensor)
 Heated oxygen sensor (HO2S) pre-heating
 (Relay, radio interference suppression)
 Right headlight wiper motor
 (Hydraulic unit, ABS)
 Right front fog light
 Right beam width control
 (Low-speed pressure sensor, engine cooling fan)
 (High-speed pressure sensor, engine cooling fan)

31/3

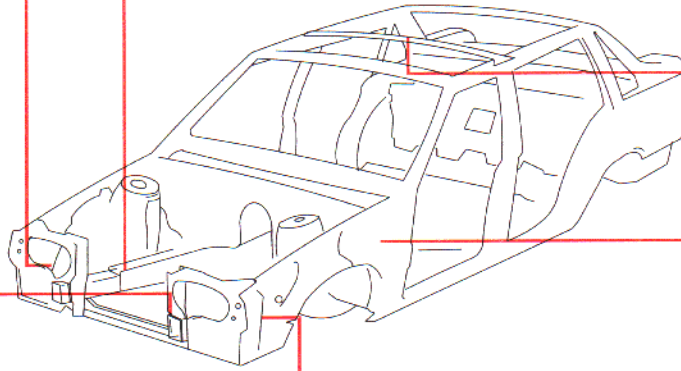


Ground connection
 battery-body

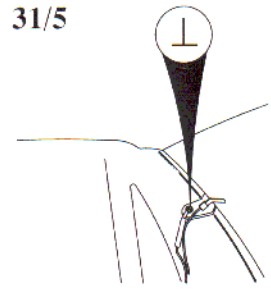
31/4



Ground connection
 battery-engine

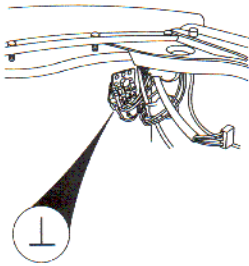


31/5



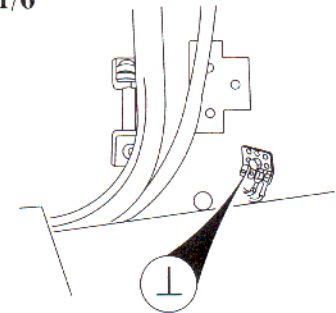
Heated rear window

31/2



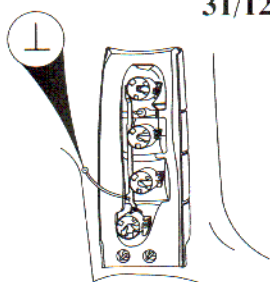
Left front light
 Left turn signal, front
 Left parking light, front
 Headlight wiper motor, left
 (Relay, radio interference suppression)
 (Wiper motors)
 (Washer fluid level sensor)
 Left turn signal side repeater
 Brake fluid level sensor
 (Hydraulic unit, ABS)
 Left front fog light
 Relay, glow plug mechanism
 Left beam width control
 OBD data link connector
 (Low-speed pressure sensor, engine cooling fan)
 (High-speed pressure sensor, engine cooling fan)

31/6

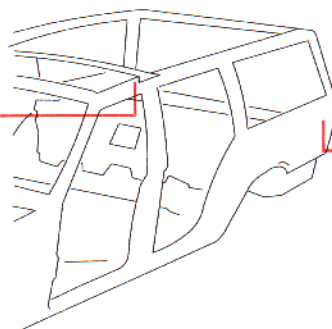


Control module, ABS
 Speedometer
 Control module, cruise control

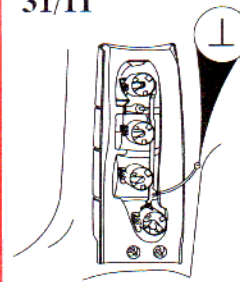
31/12



Right tail light

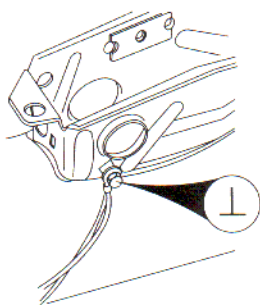


31/11



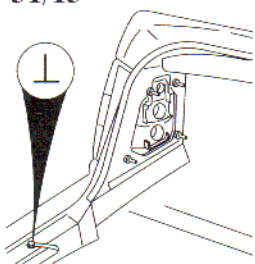
Left tail light
 Extra brake light
 Power antenna
 Tailgate wiper motor
 Trunk lighting
 Number plate lighting
 Fuel primer pump (LH-2.4) (MFI)
 Fuel pump (Regina) (MFI)
 Interior lighting
 Reading lights
 Towing hook
 CD-autochanger

31/9

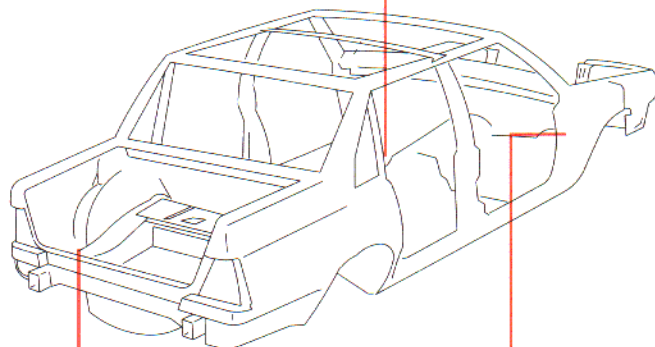


Power seats
Parking brake switch
Heated seats
Seat belt lock, driver's seat

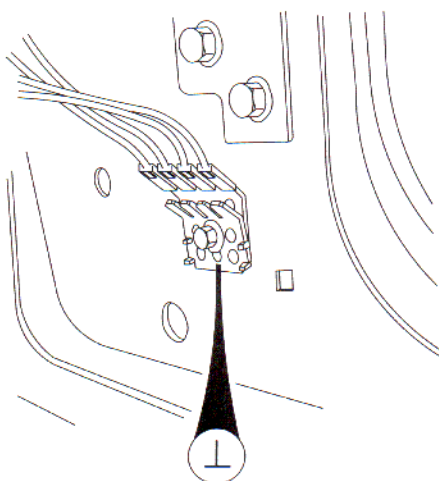
31/13



Fuel primer pump (LH 2.4) (MFI)
Fuel pump (Regina) (MFI)
Tail lights
Number plate lighting
Trunk lighting
Extra brake light
Power antenna
Interior lighting
Reading lamps
Towing hook
CD-autochanger

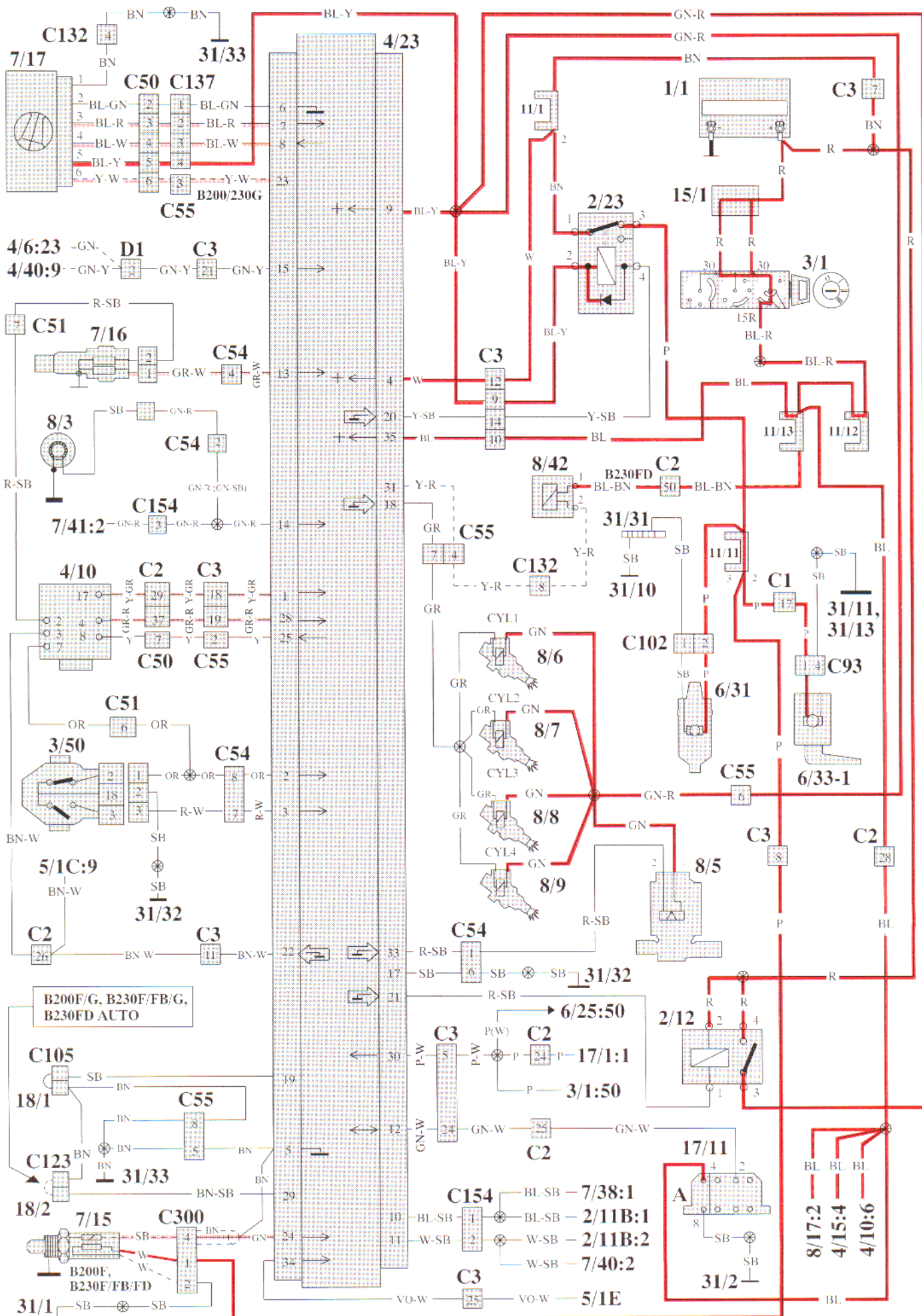


31/10

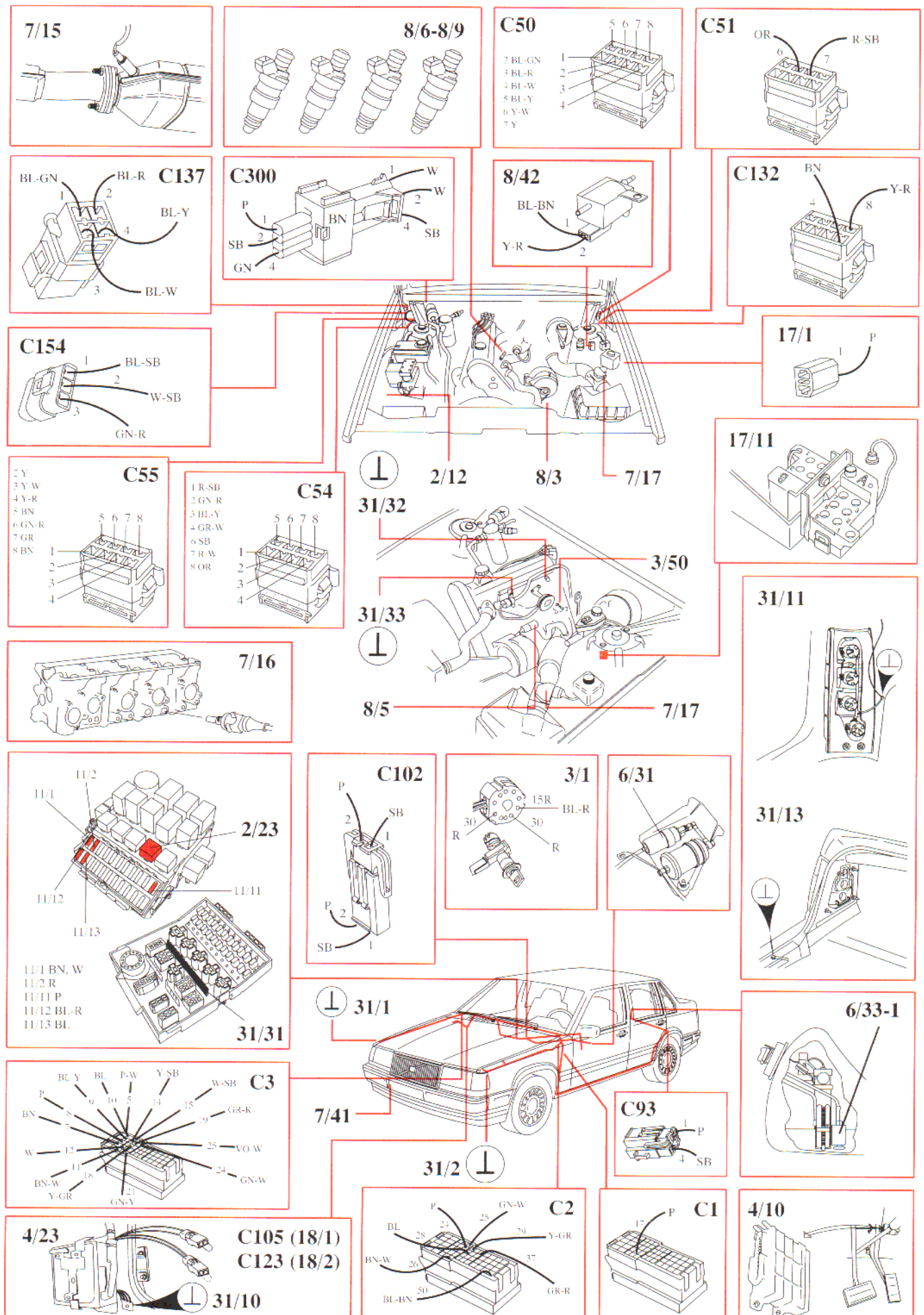


Cabin fan
Ground connection rail in electrical distribution unit
Bulb malfunction indicator
Flasher unit
Intermittent relay, wipers
Headlight relay
Power sunroof
Overdrive relay
Central lock motors
Power door mirrors
Power windows
Bypass relay 15I (window lifts/seat heaters)
(Accessories)
Central lock relay
Relay, seat belt reminder
Cigar lighter
Radio
Glove compartment lighting
Separate amplifier, radio
Fuel pump (LH 2.4) (MFI)
Fog light switch
Combined instrument
Fuel gauge
Electronic climate unit ECC
Control module DIM-DIP
Right turn signal side repeater
Bypass relay, high beam
Control lighting
Vanity mirror light
Relay, exhaust gas temp. sensor (Japan)
Relay, P-shift lock
Beam width control
Switch, heated rear window/door mirrors
Switch, power door mirrors
Ambient air temperature gauge
Anti-theft alarm

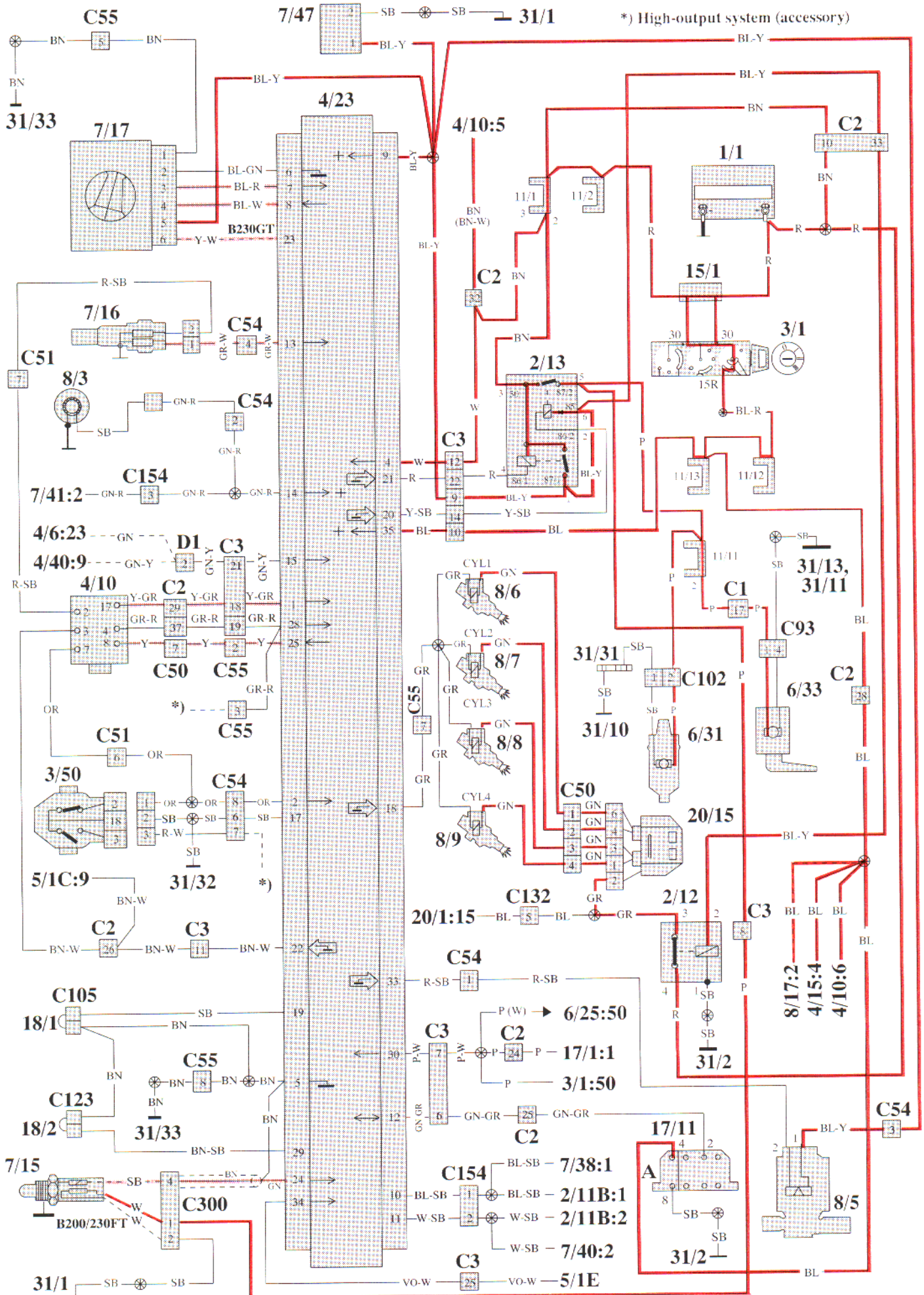
LH-jetronic 2.4 multipoint fuel injection system (MFI) (B 200 F/G, B 230 F/FB/FD/G)

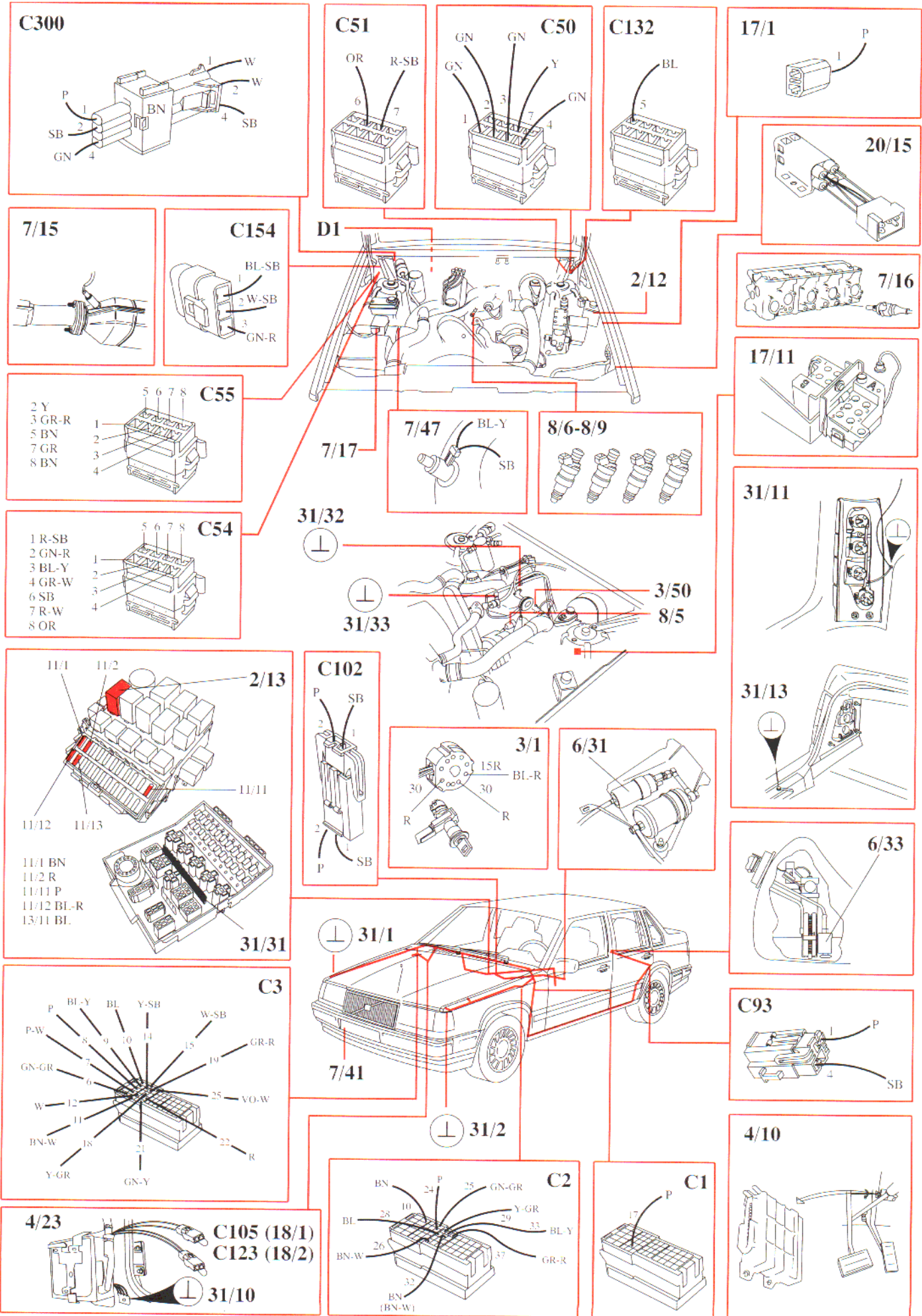


Regina multiport fuel injection system (MFI) (B 230 F)

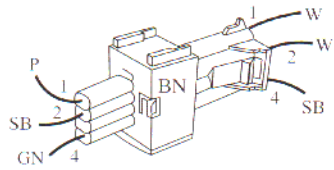


LH-jetronic 2.4 multiport fuel injection system (MFI) (B 200 FT, B 230 FT/GT)

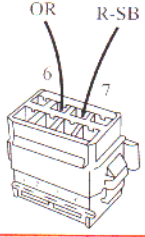




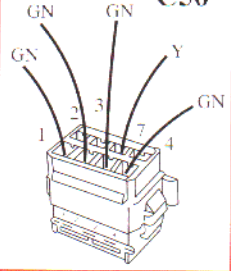
C300



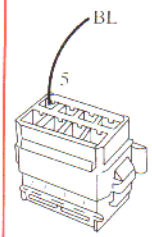
C51



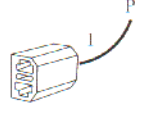
C50



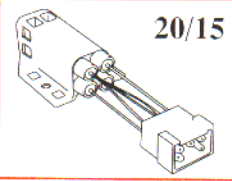
C132



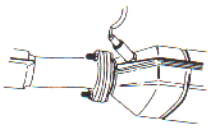
17/1



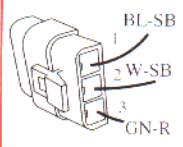
20/15



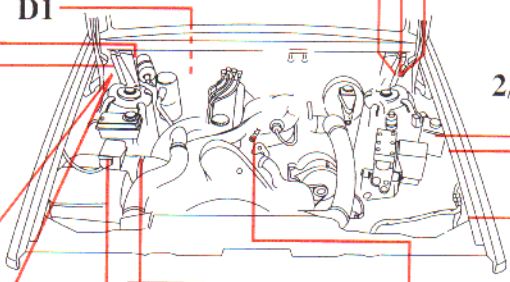
7/15



C154



D1

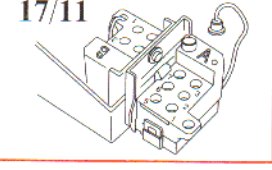


2/12

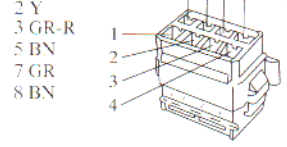


7/16

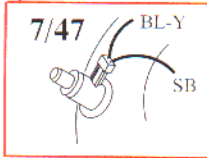
17/11



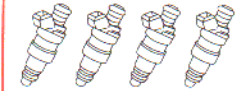
C55



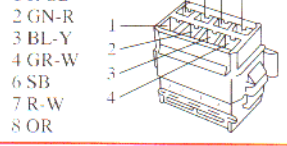
7/17



8/6-8/9



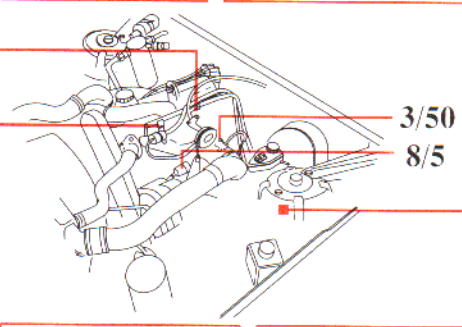
C54



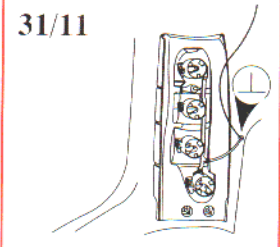
31/32



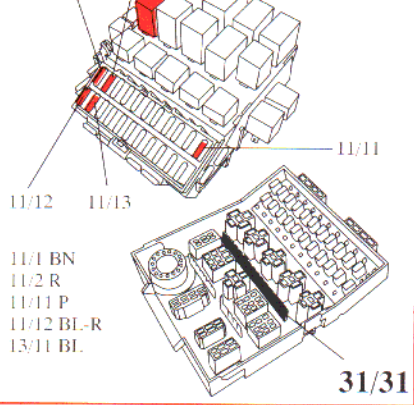
31/33



31/11

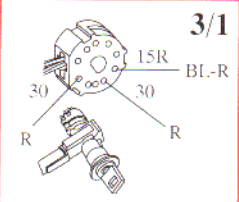
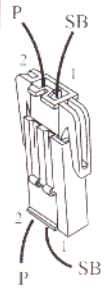


11/1, 11/2, 2/13, 11/11, 11/12, 11/13, 31/31

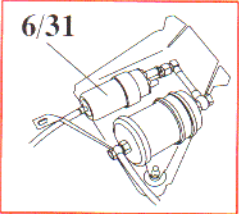


11/1 BN
11/2 R
11/11 P
11/12 BL-R
13/11 BL

C102

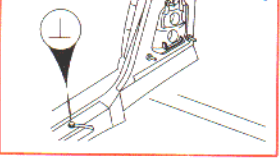


3/1

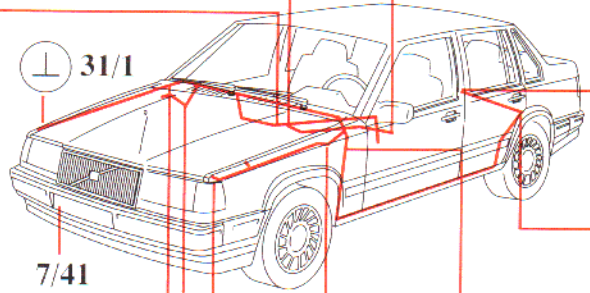
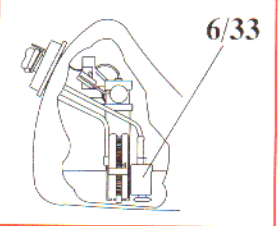


6/31

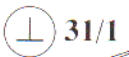
31/13



6/33

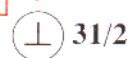


31/1

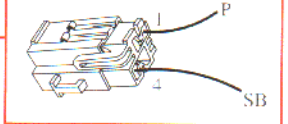


7/41

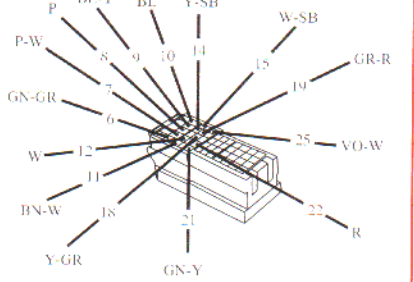
31/2



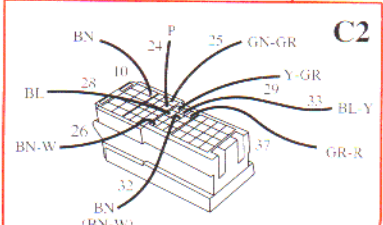
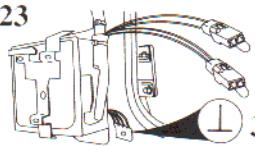
C93



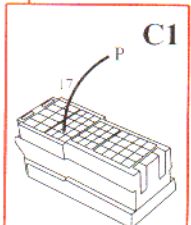
C3



4/23, C105 (18/1), C123 (18/2), 31/10

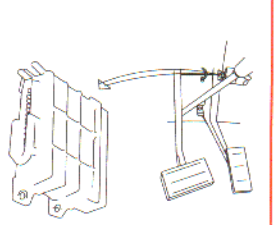


C2

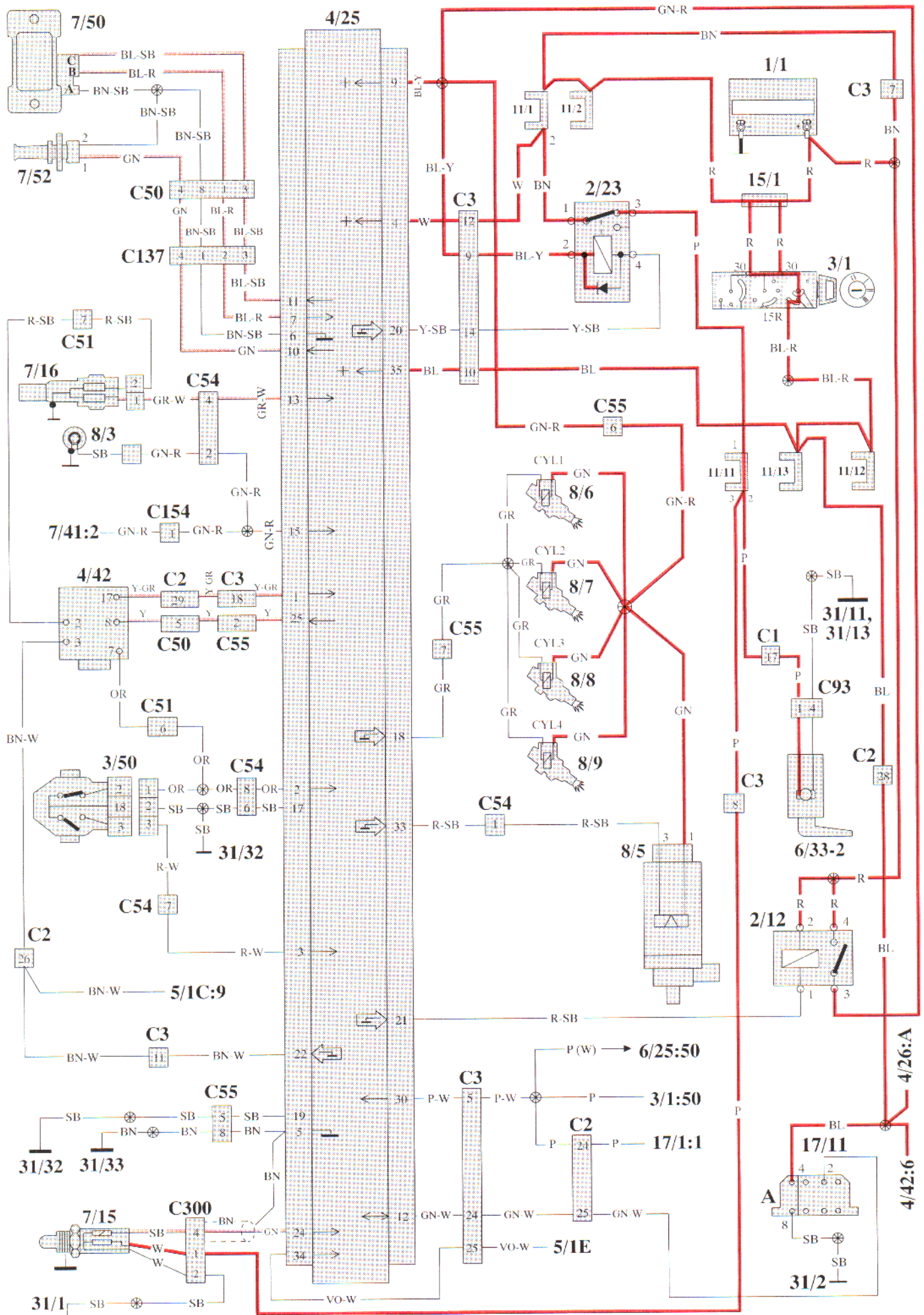


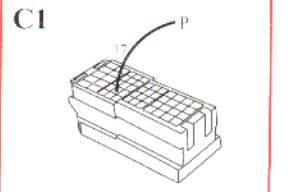
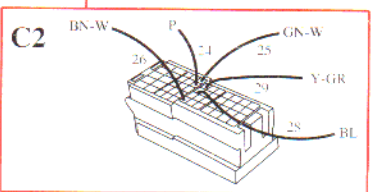
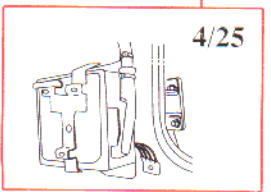
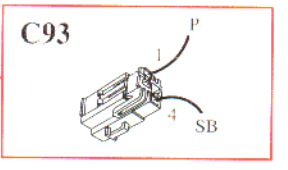
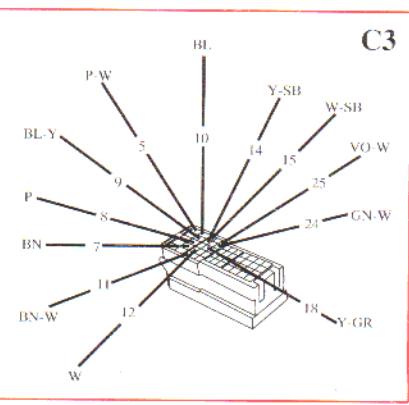
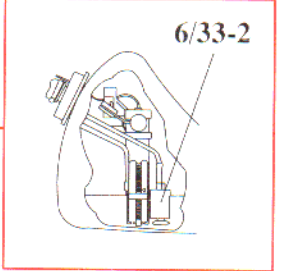
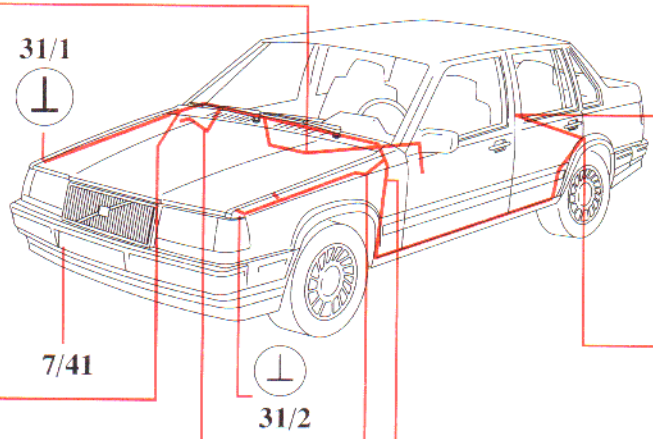
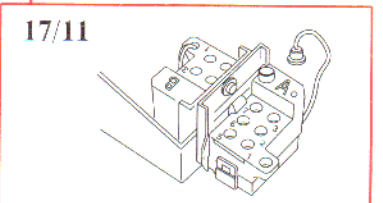
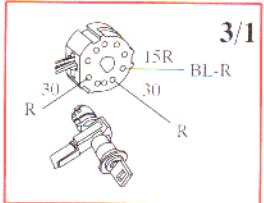
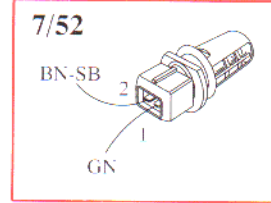
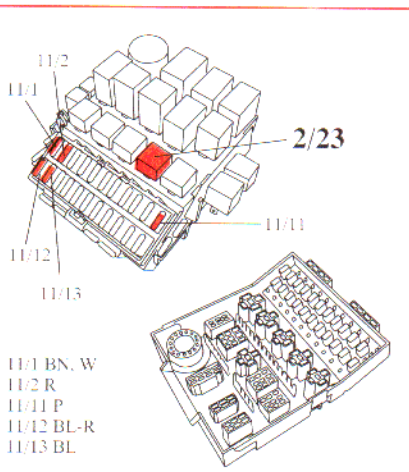
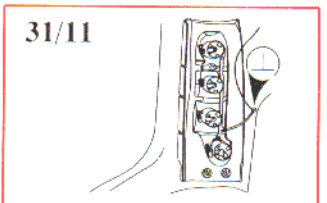
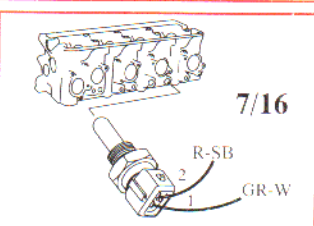
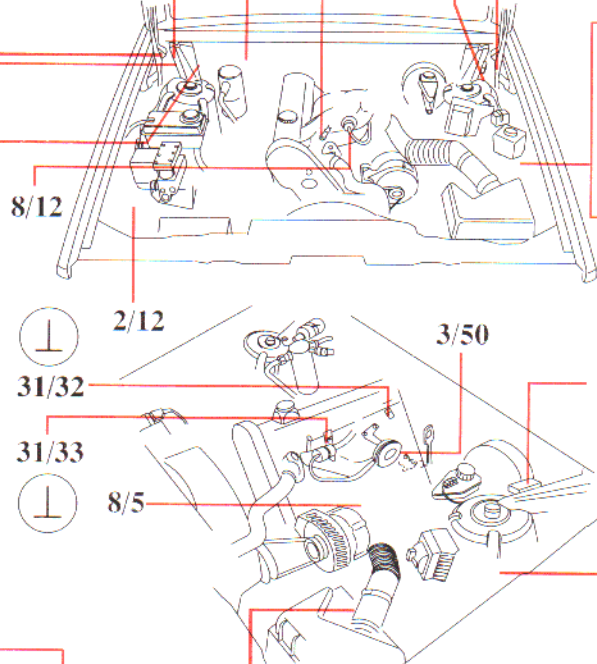
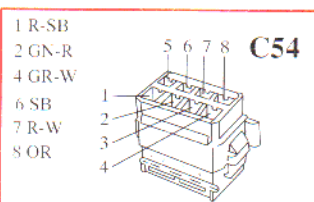
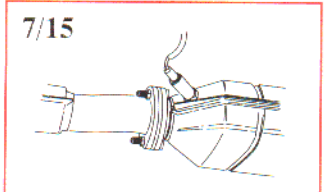
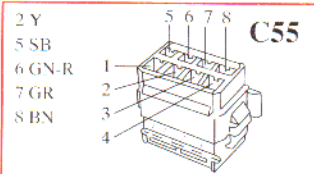
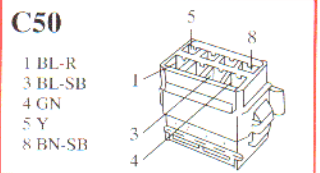
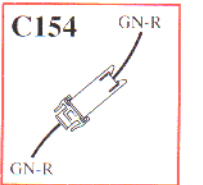
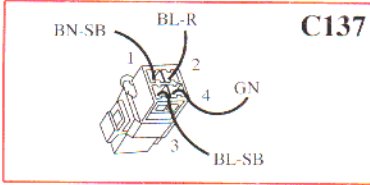
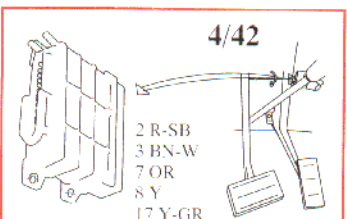
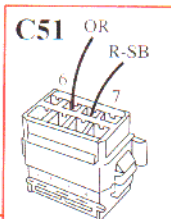
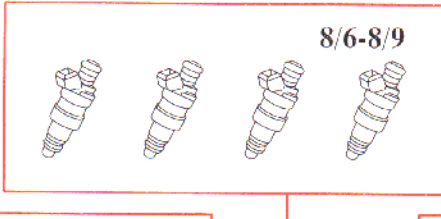
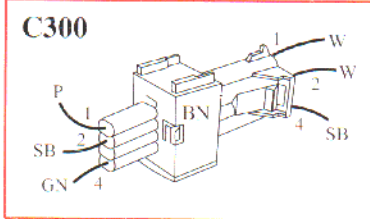
C1

4/10

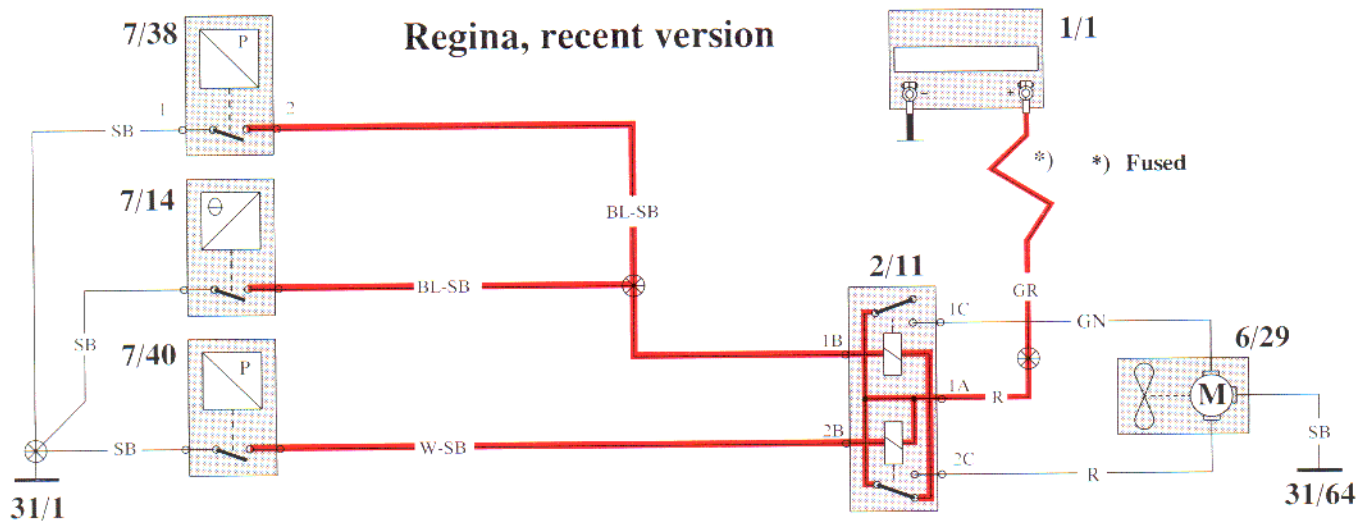
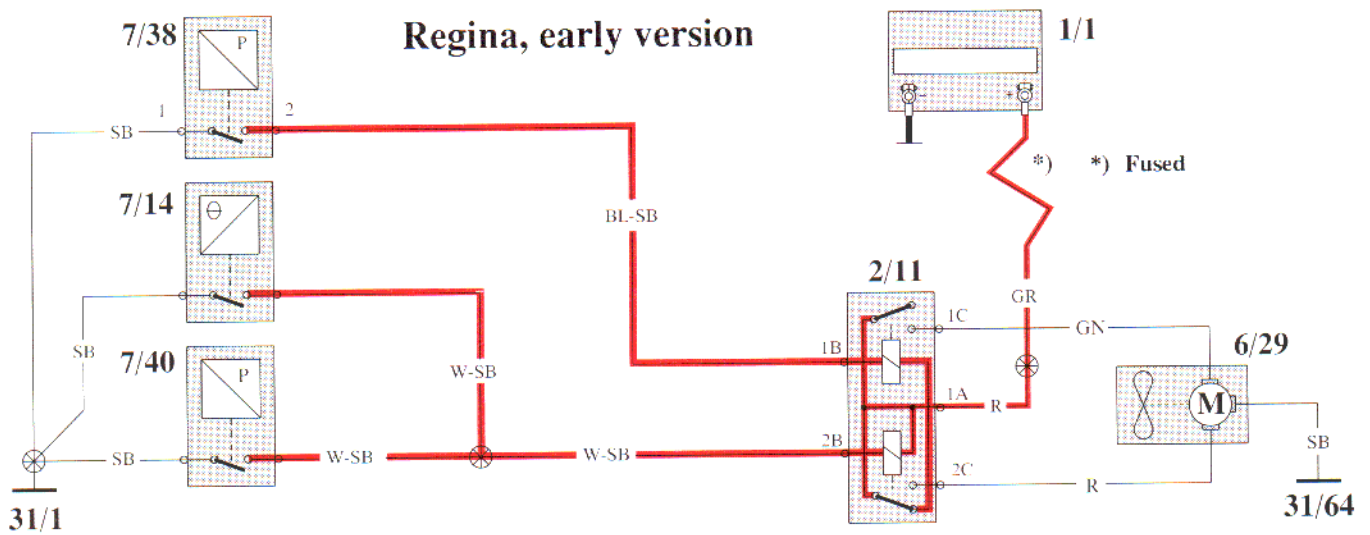
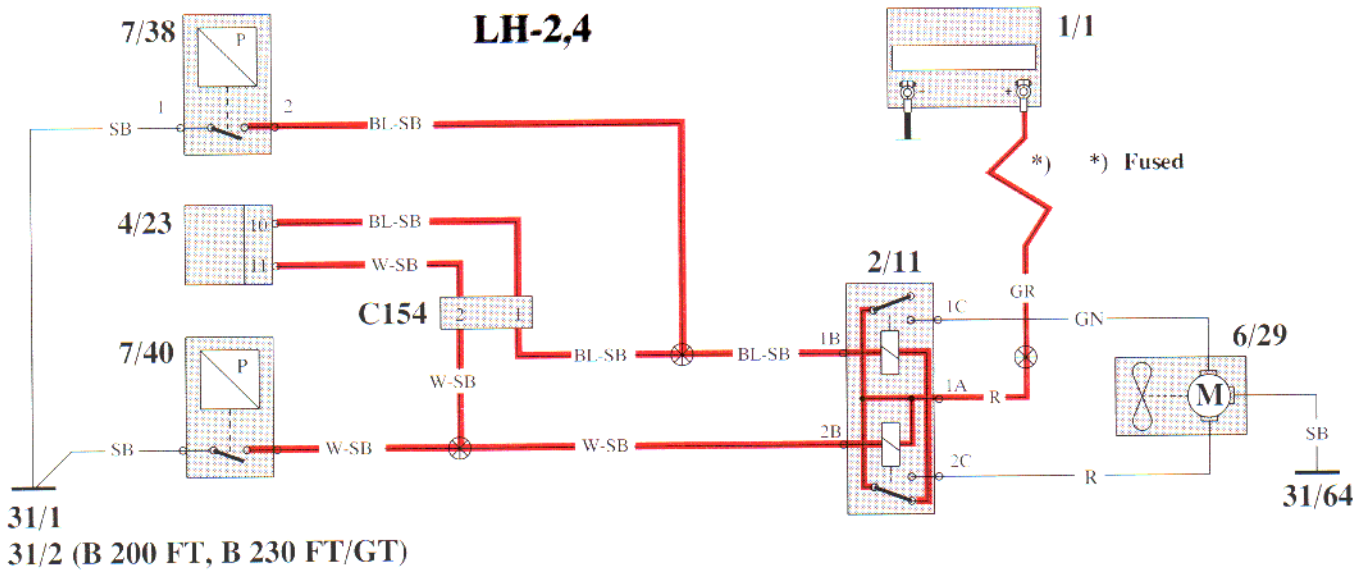


Regina (B 230 F)

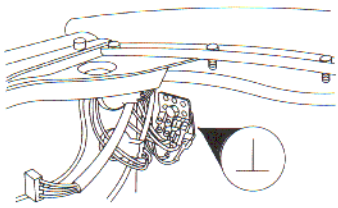




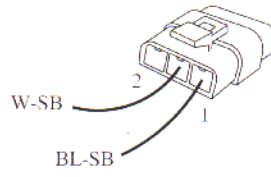
Engine cooling fan



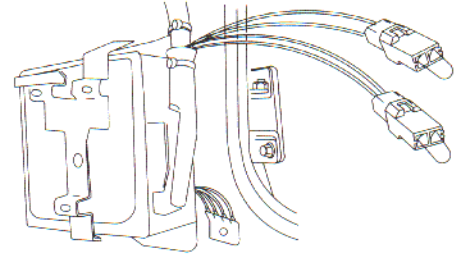
31/1



C154

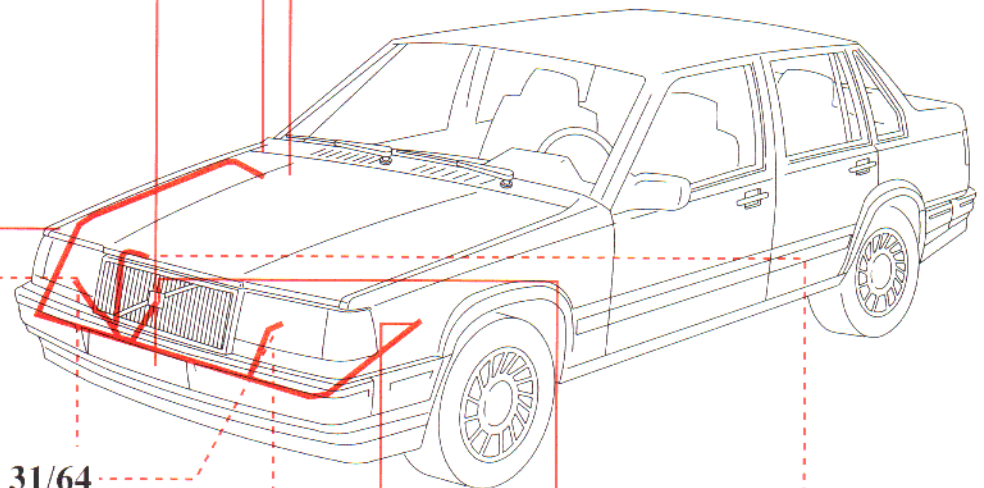
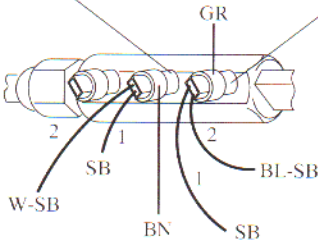


4/23



7/40

7/38

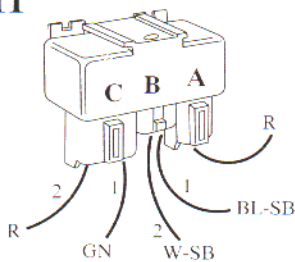


31/64

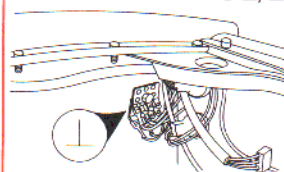
REGINA

B 200 FT,
B 230 FT/GT

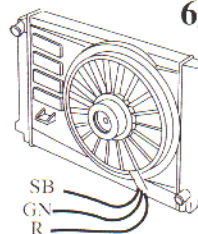
2/11



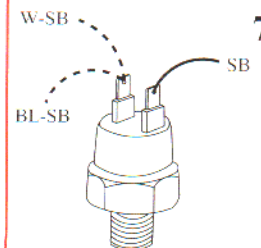
31/2



6/29

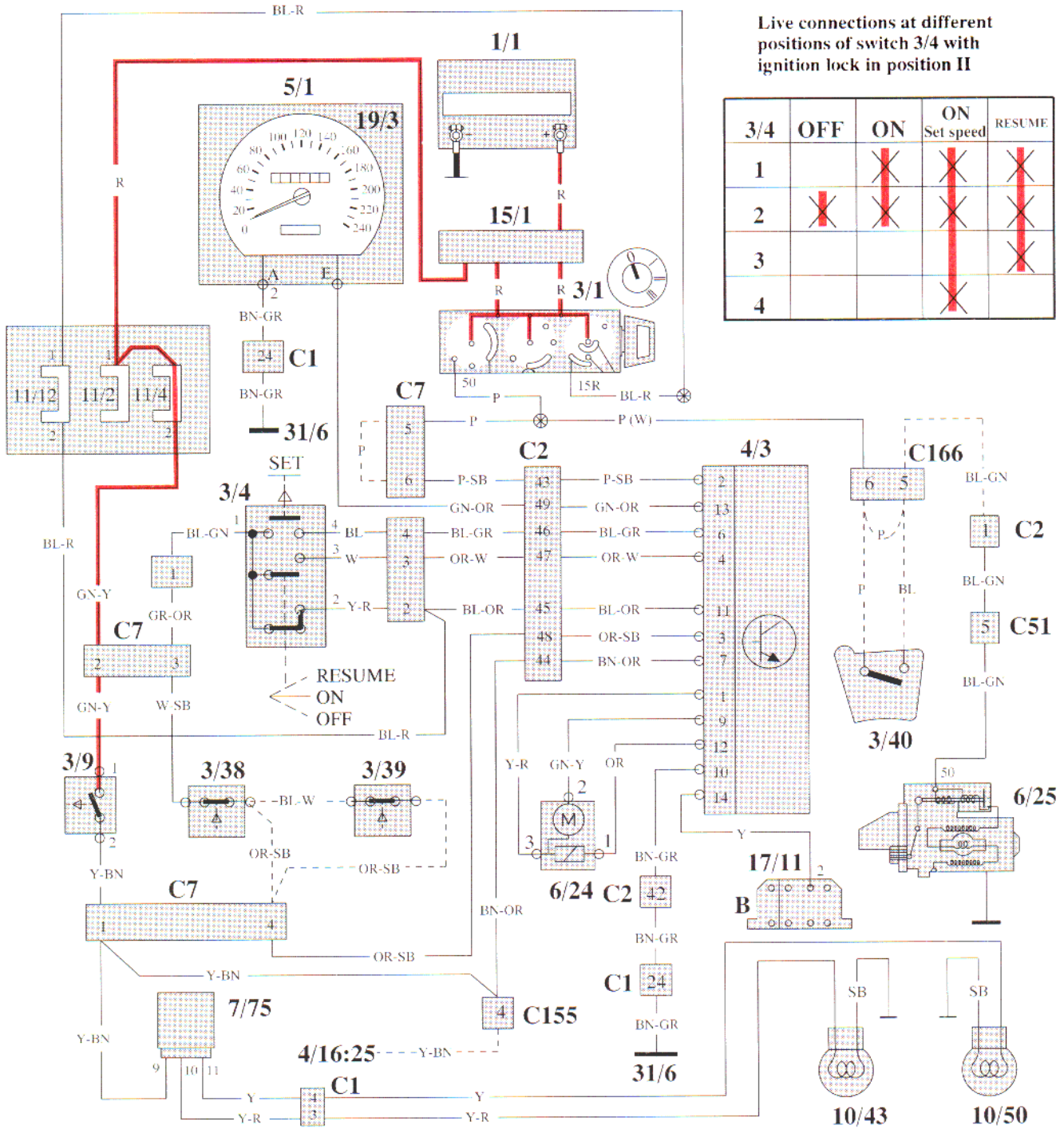


7/14

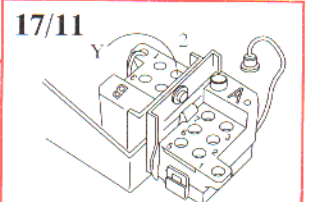
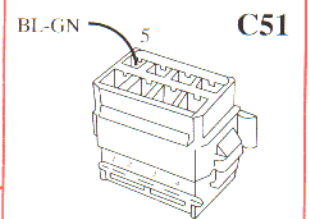
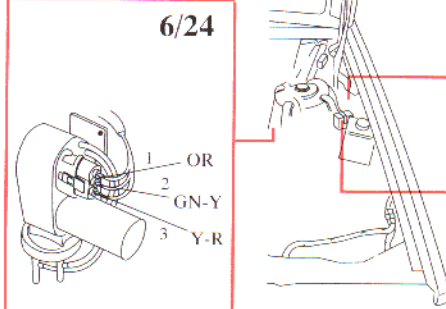
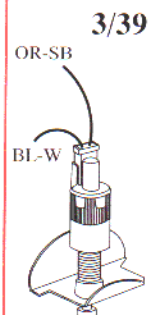
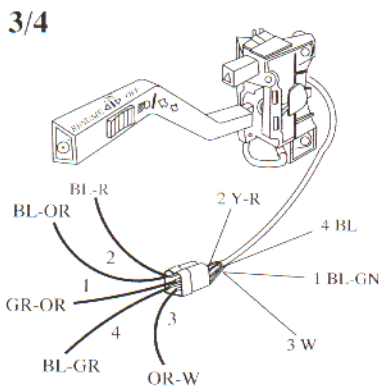
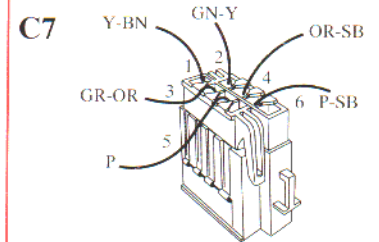
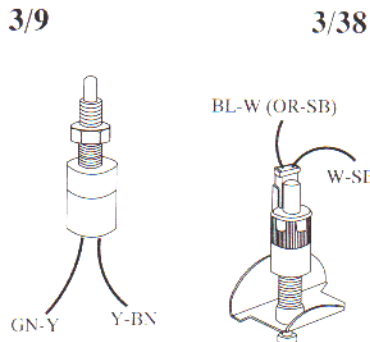
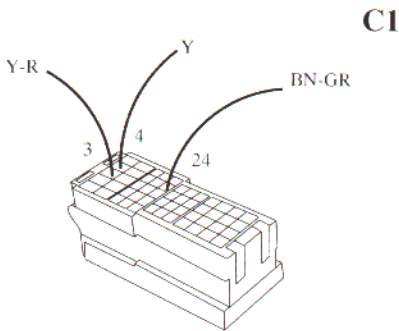
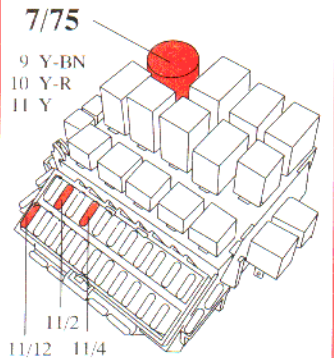
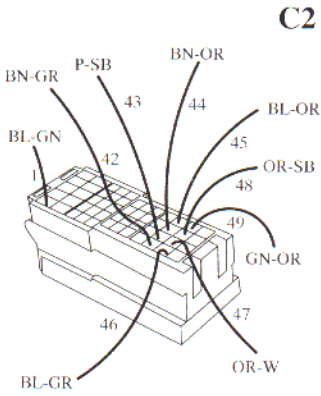
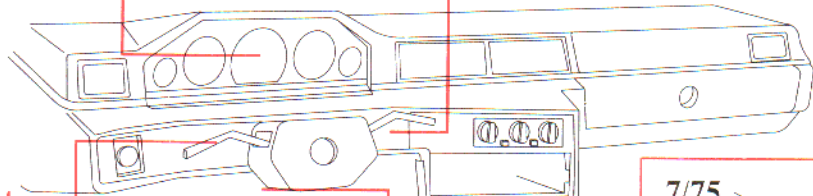
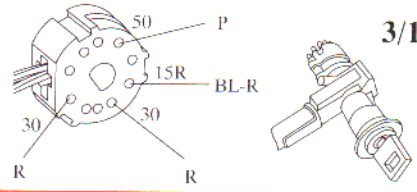
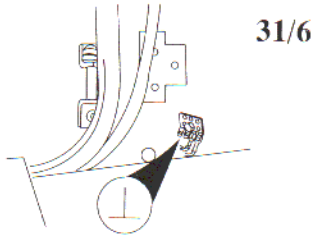
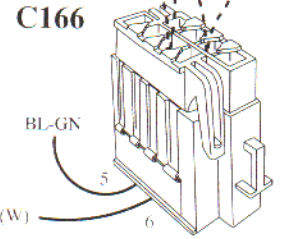
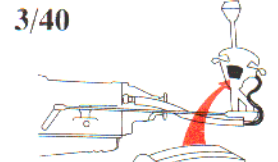
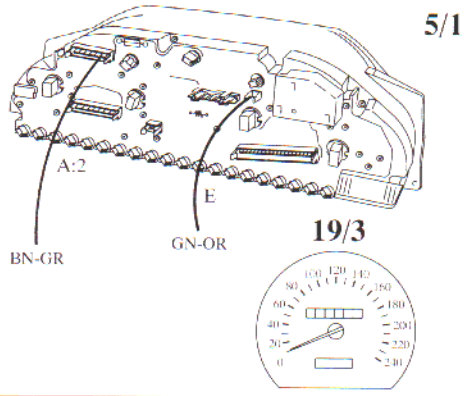
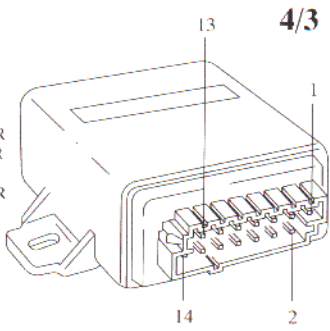


Cruise control

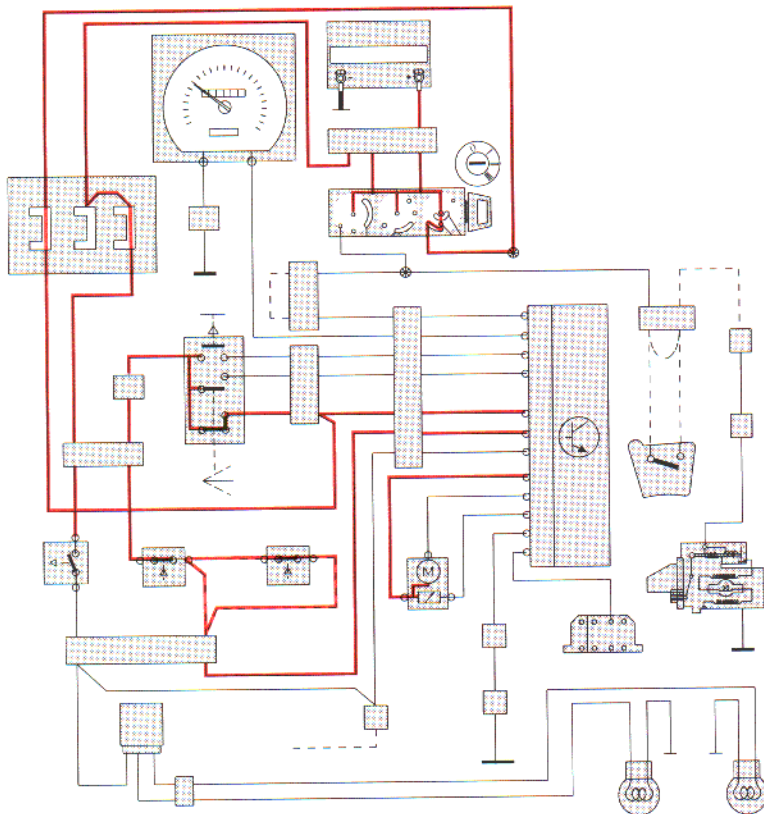
Schematic presentation on page 32



- 1 Y-R
- 2 P-SB
- 3 OR-SB
- 4 OR-W
- 6 BL-GR
- 7 BN-OR
- 9 GN-Y
- 10 BN-GR
- 11 BL-OR
- 12 OR
- 13 GN-OR
- 14 Y



Cruise control, function (schematic presentation)

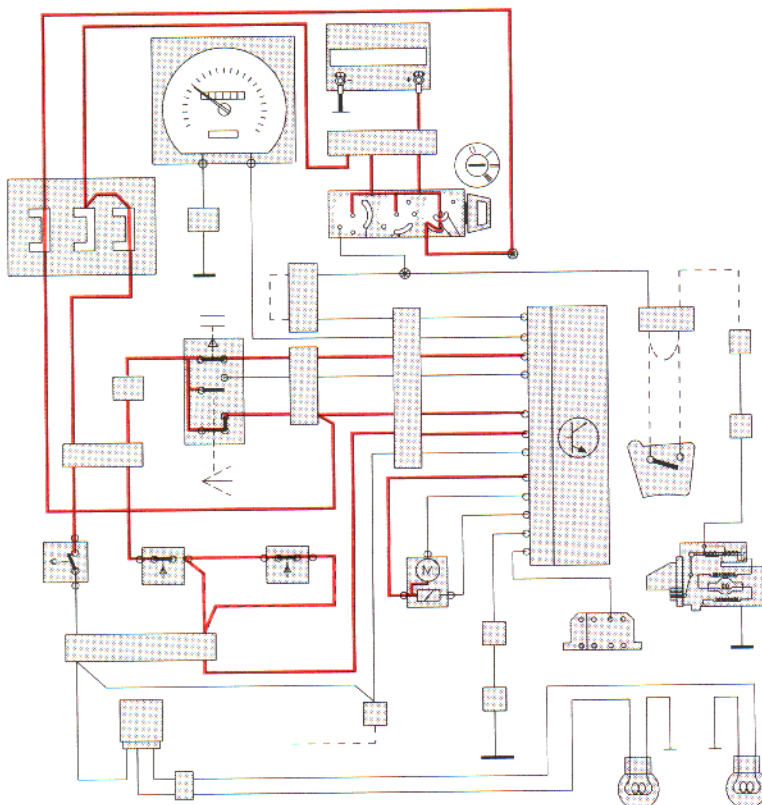


Setting speed

Switch set to ON.
SET-button pressed in and released.
Speed above 35 km/h (20 mph) and
neither brake nor clutch pedal
pressed.

Maintaining set speed

Switch set to ON.
Speed above 35 km/h (20 mph) and
neither brake nor clutch pedal
pressed.



Increasing set speed

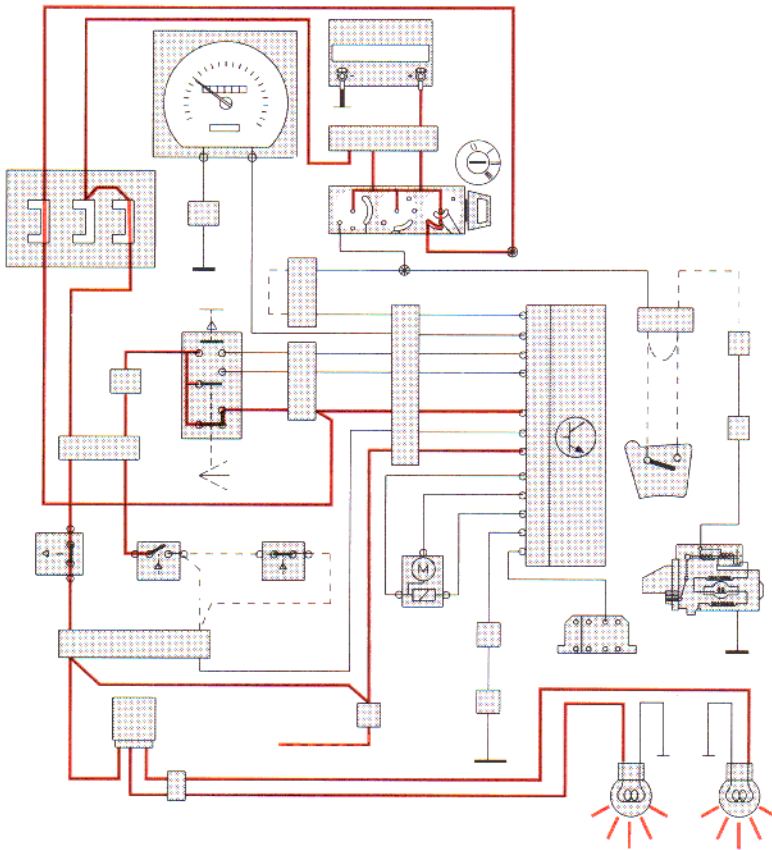
Switch set to ON.

The cruise control regulates
throttle setting.

If the SET-button is held pressed for more
than 0.5 seconds, the speed will slowly
increase until the SET-button is released.

If the SET-button is held pressed for less
than 0.5 seconds, the speed will increase by
1.6 km/h (1 mph).

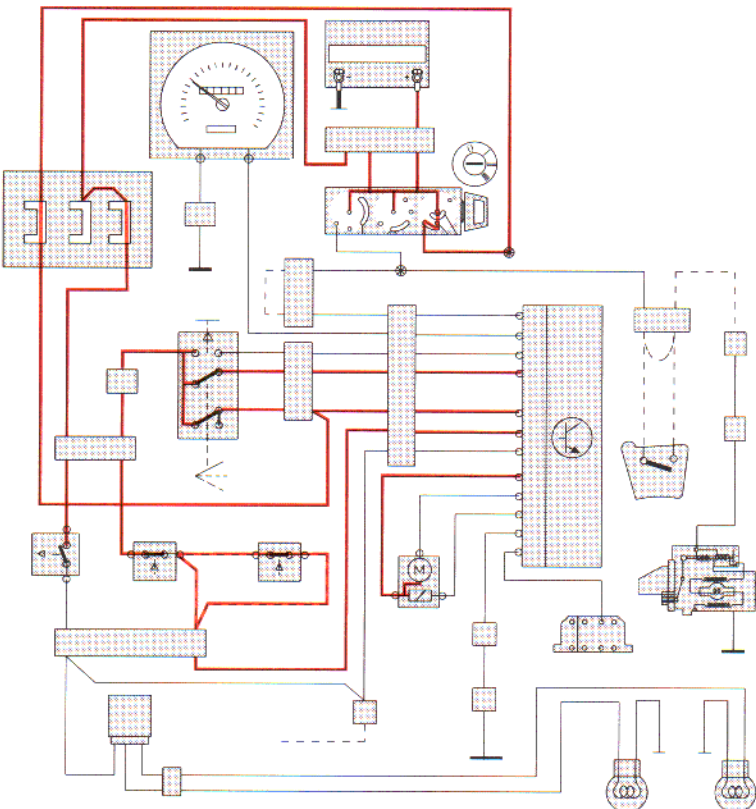
Cruise control, function (schematic presentation)



Braking

Switch set to ON.
Brake pedal pressed down.

The brake valve breaks the supply of voltage to connection 3 and the brake light switch closes, diverting battery voltage to connection 7. This disengages the cruise control.

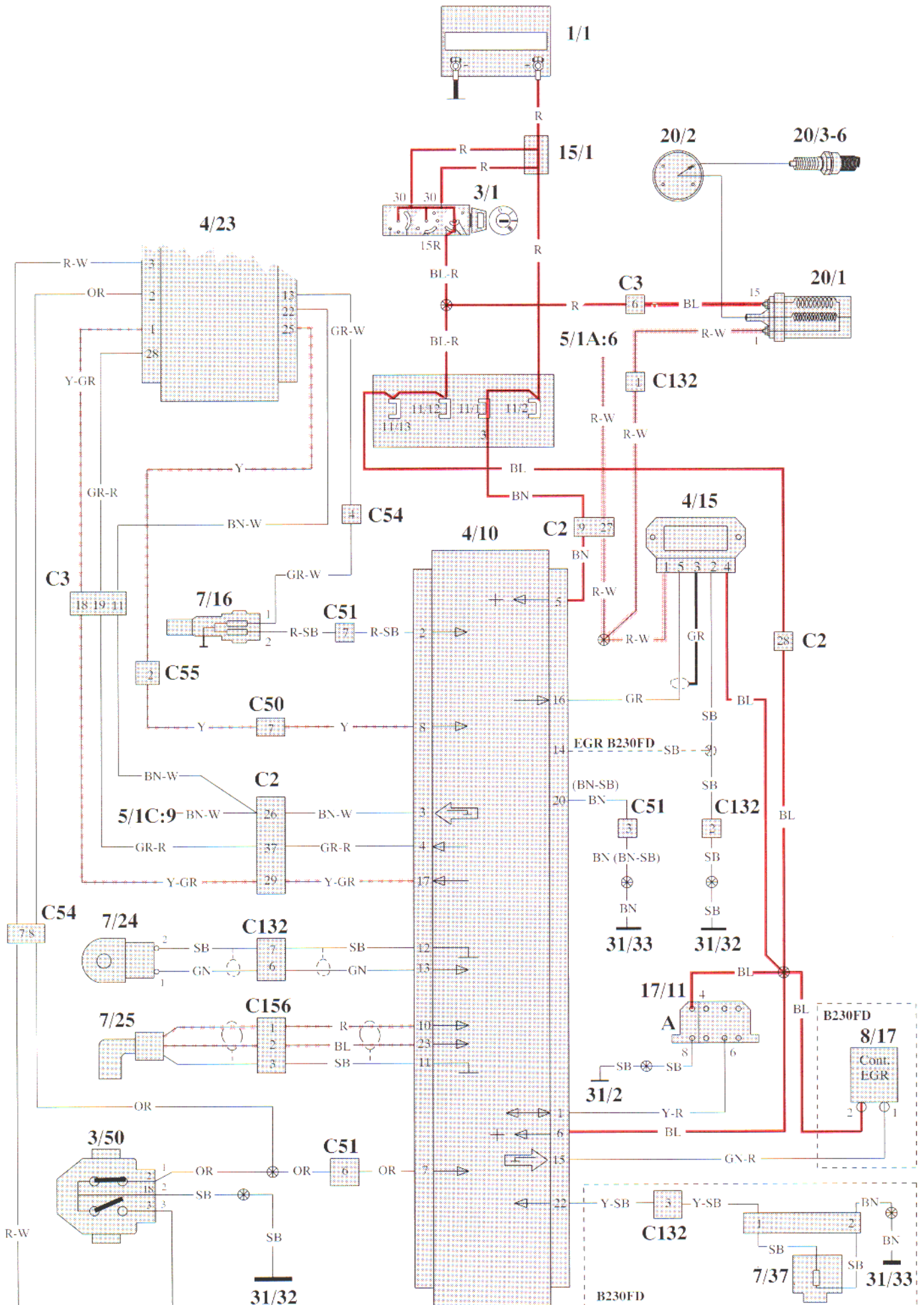


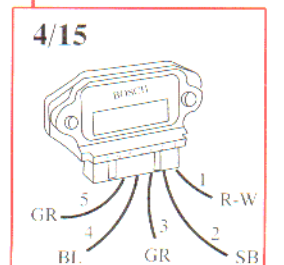
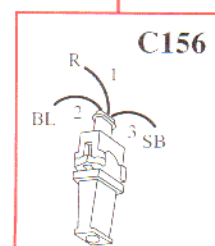
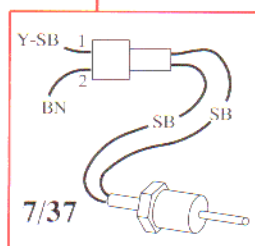
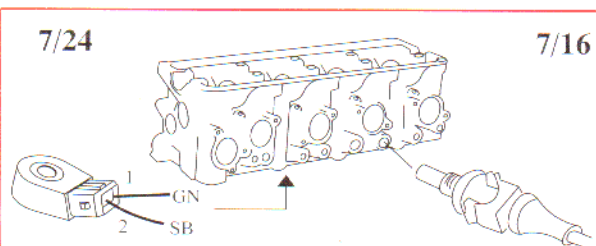
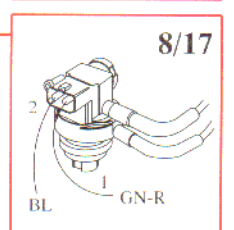
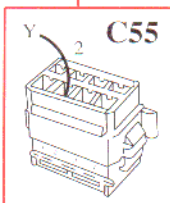
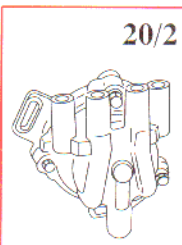
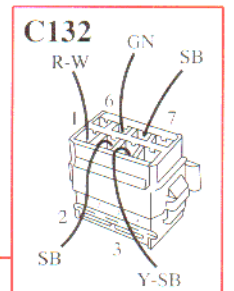
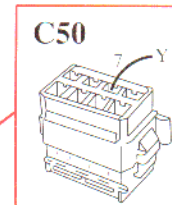
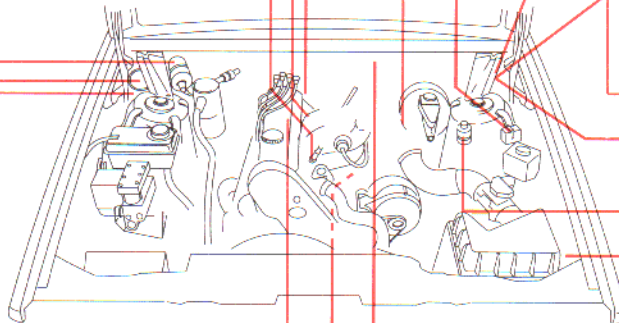
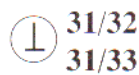
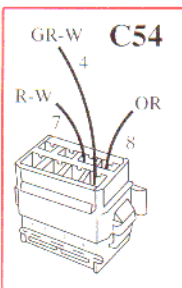
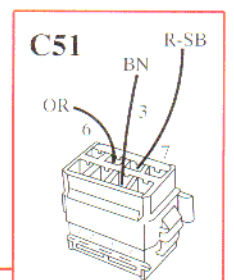
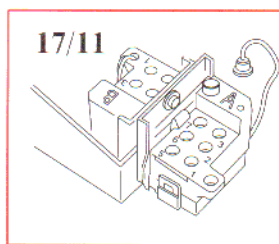
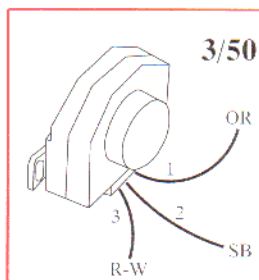
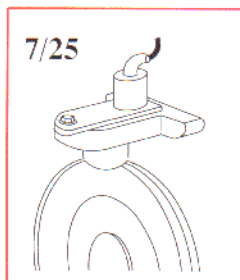
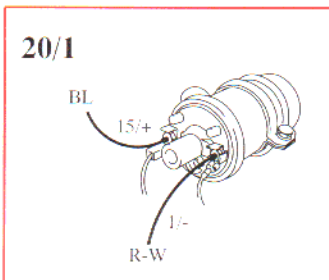
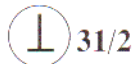
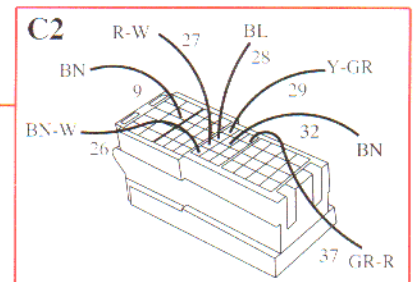
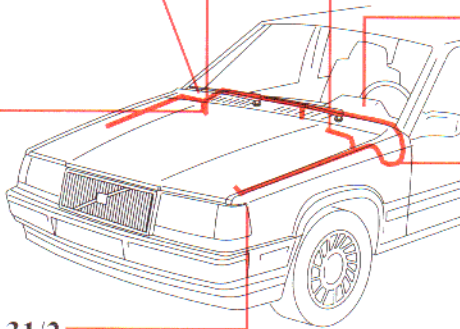
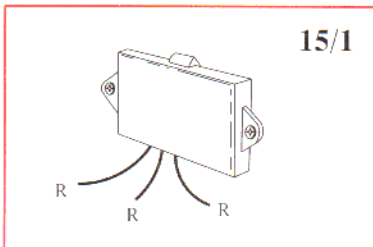
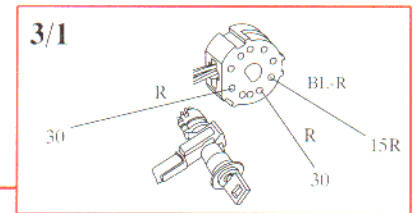
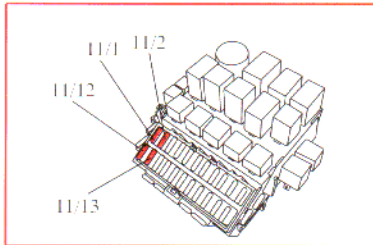
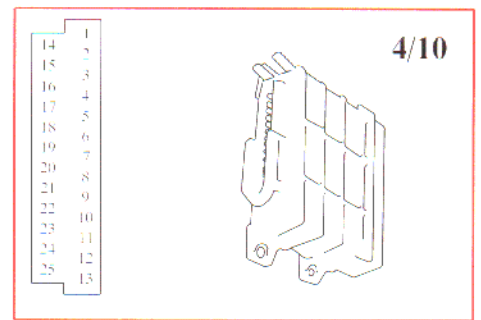
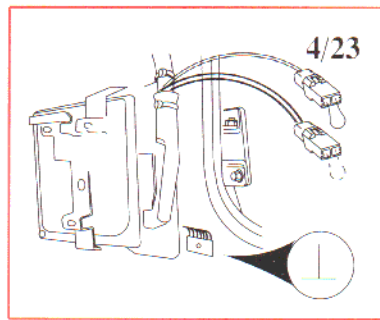
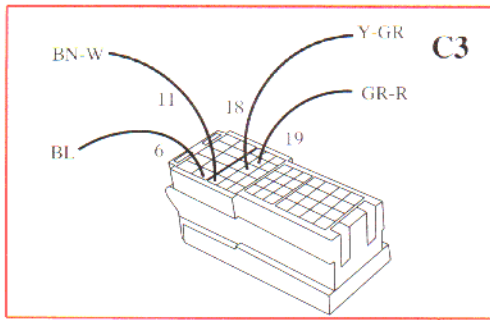
Resuming set speed

Switch set to RESUME.

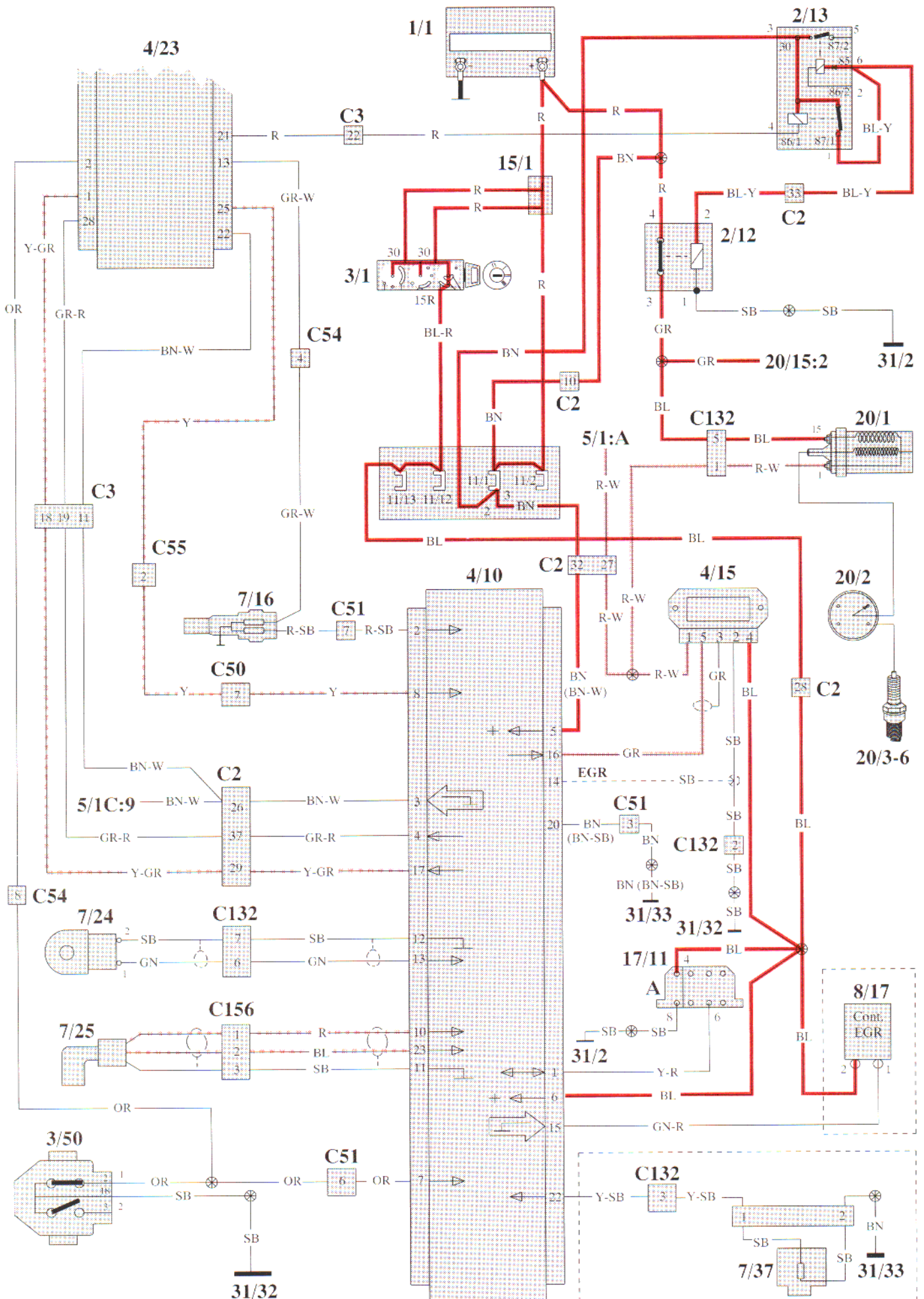
The car resumes its previously set speed.

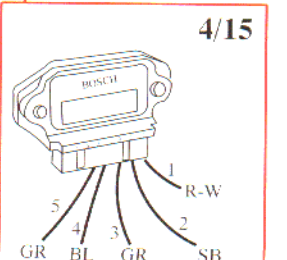
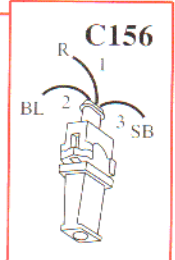
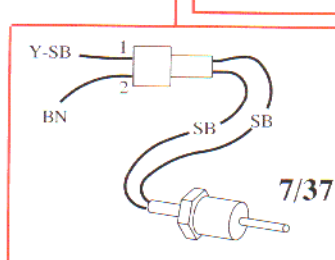
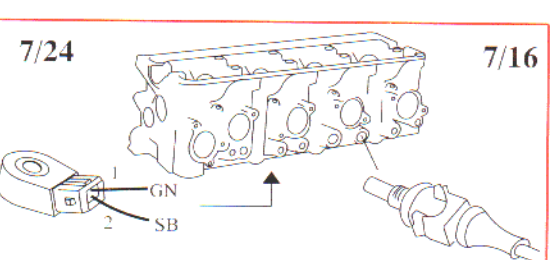
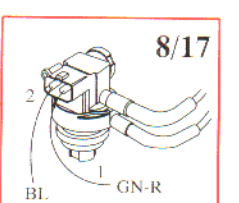
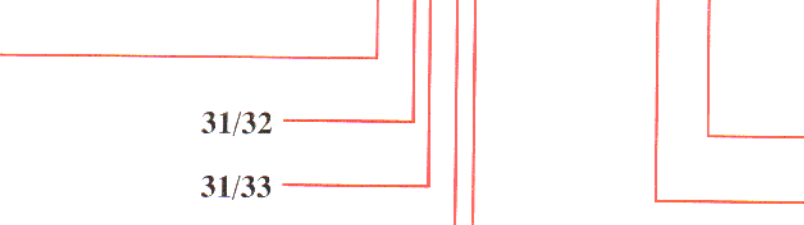
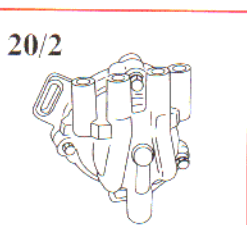
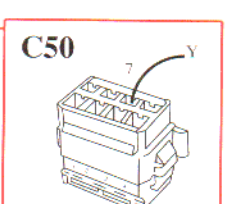
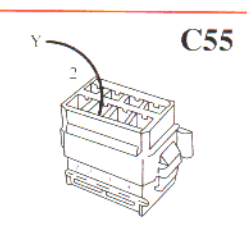
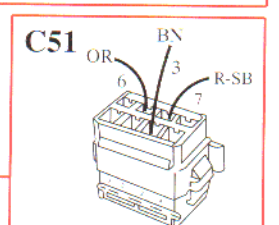
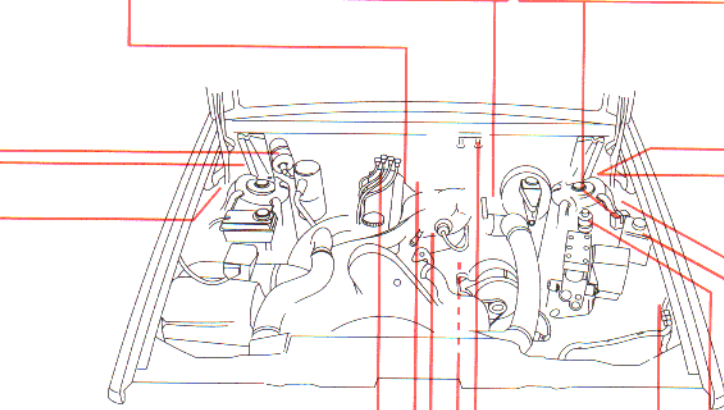
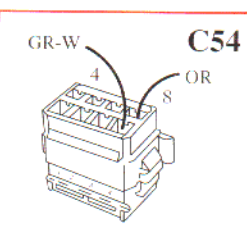
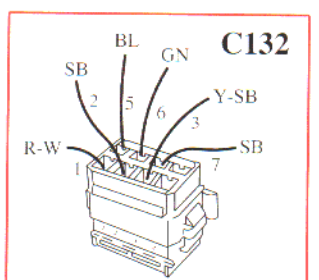
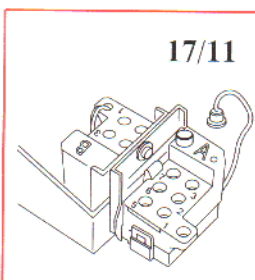
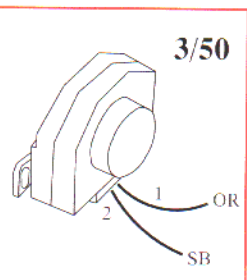
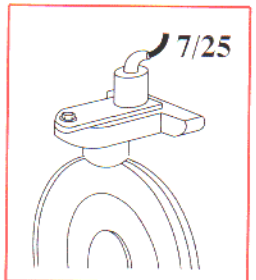
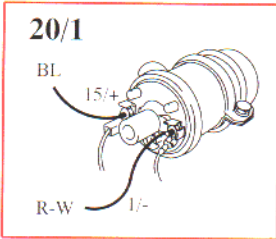
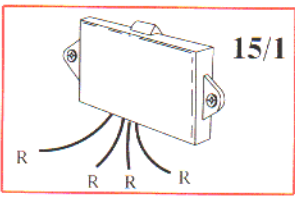
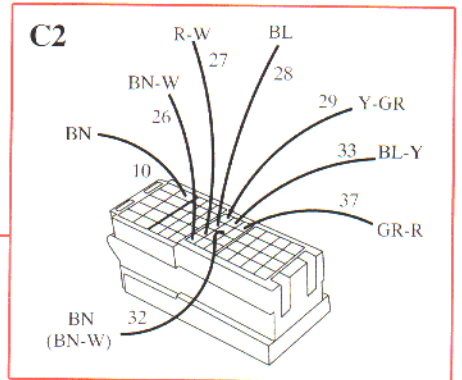
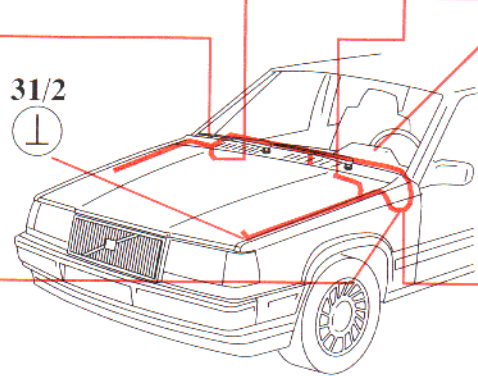
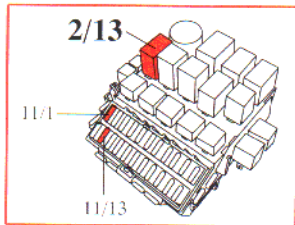
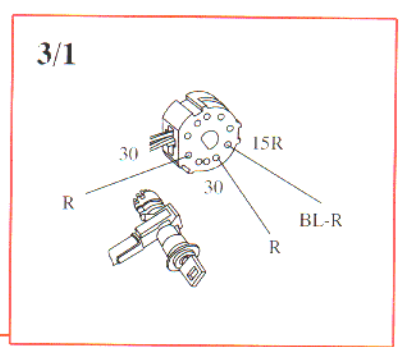
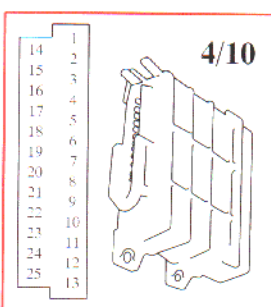
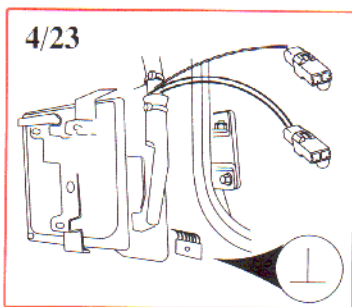
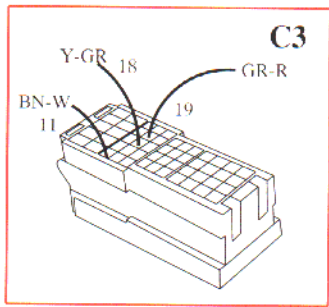
EZ 116 K Distributor ignition (DI) system (B 200 F/G, B 230 F/FB/FD/G)

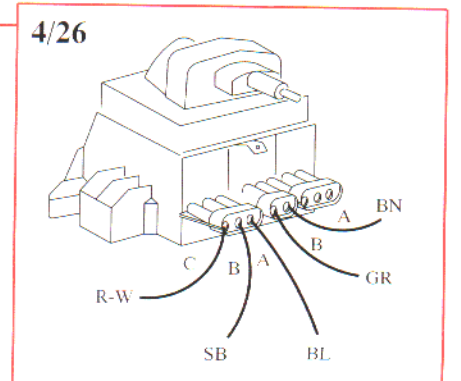
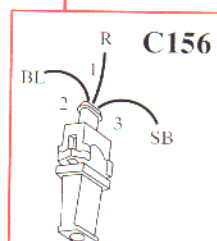
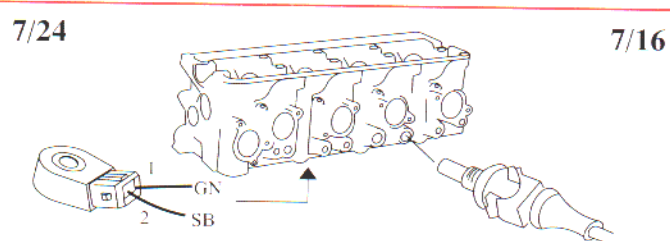
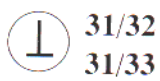
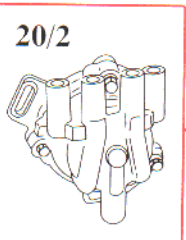
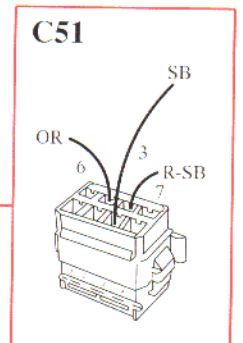
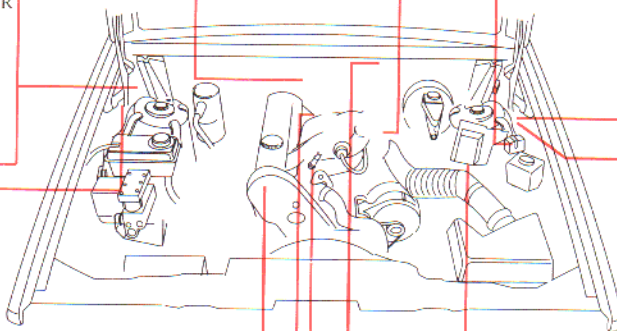
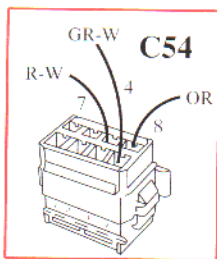
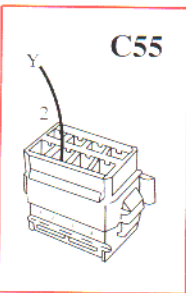
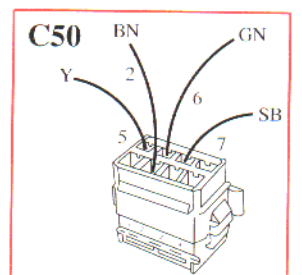
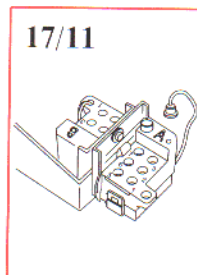
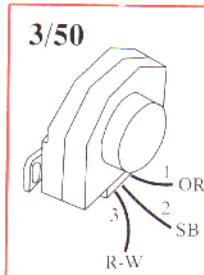
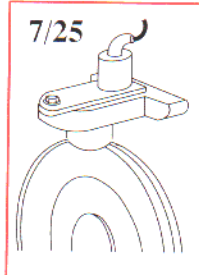
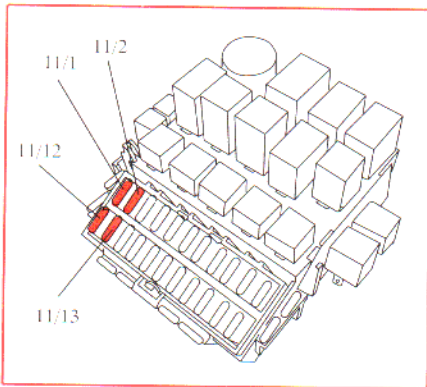
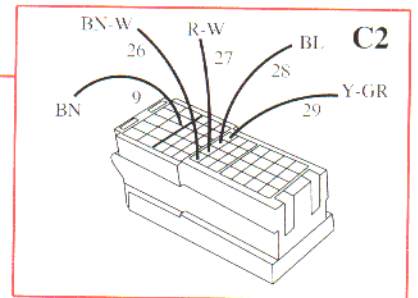
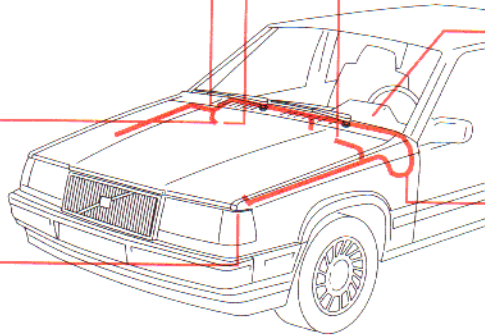
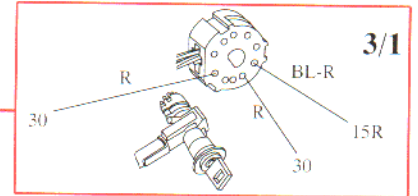
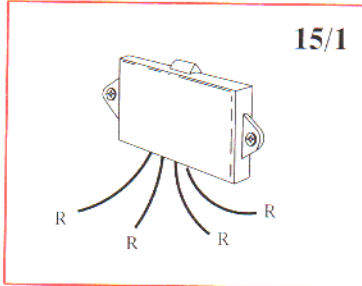
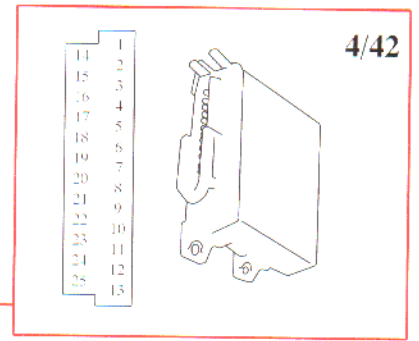
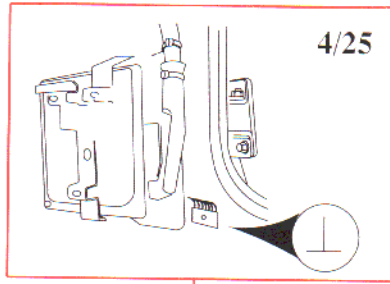
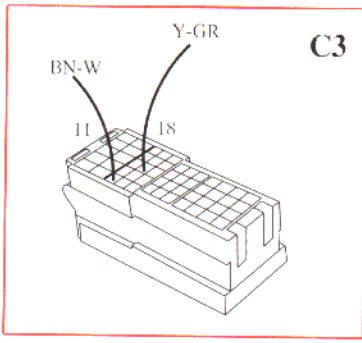




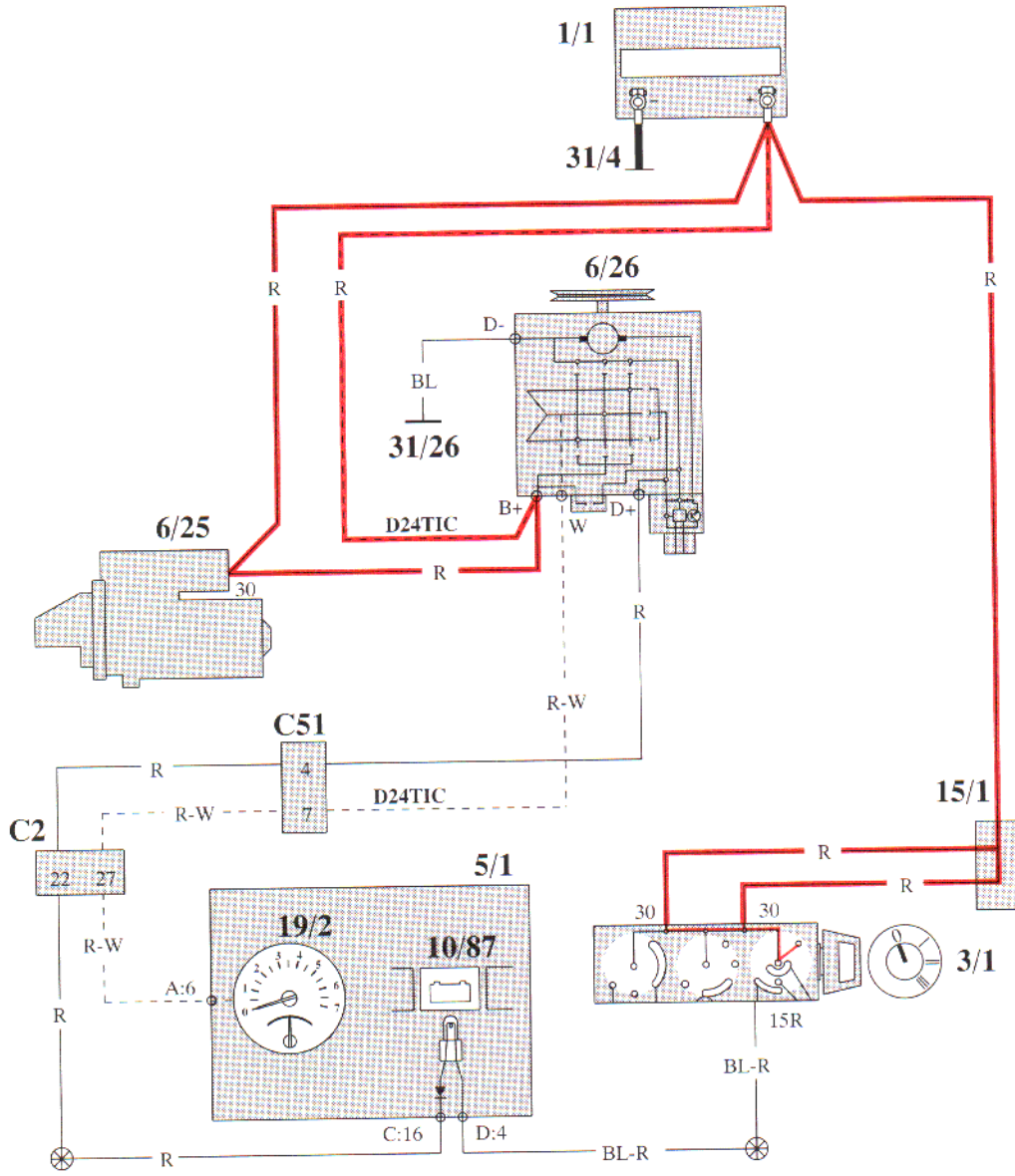
EZ 116 K Distributor ignition (DI) system (B 200 FT, B 230 FT/GT)





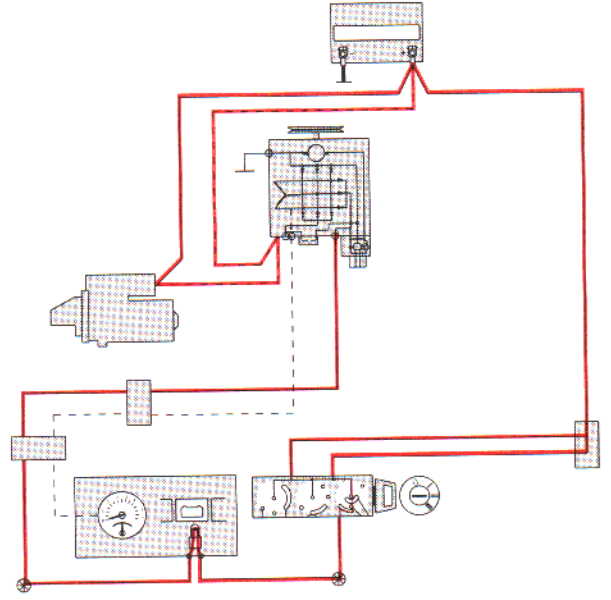
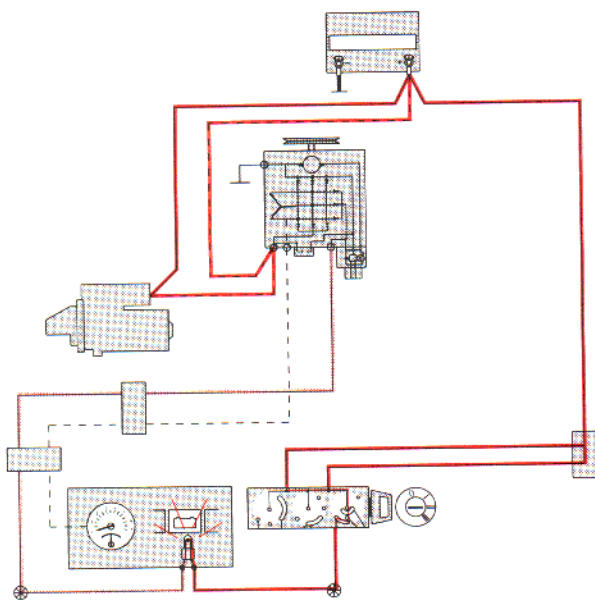


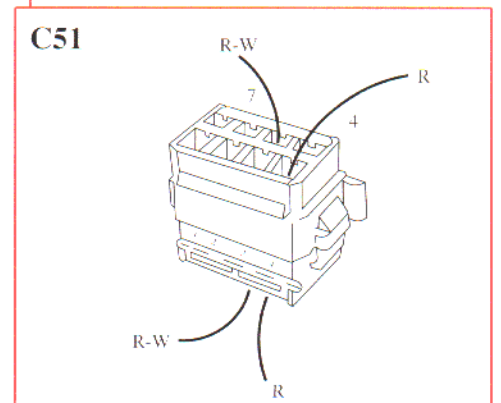
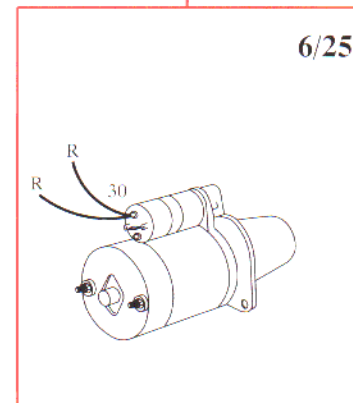
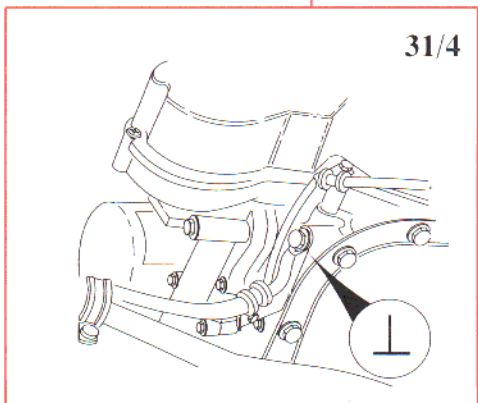
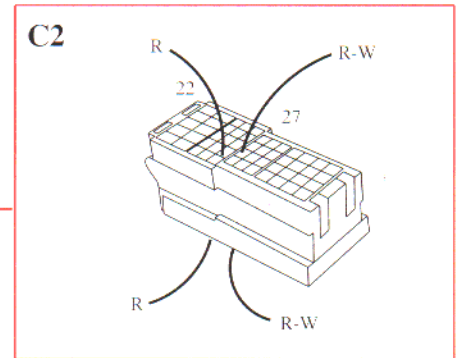
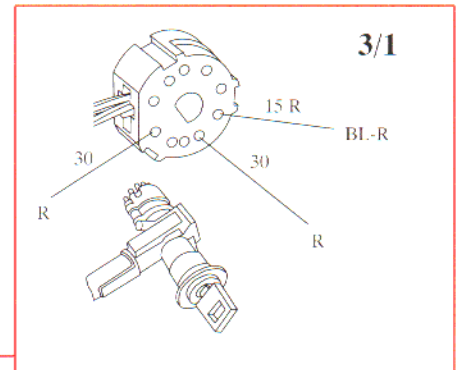
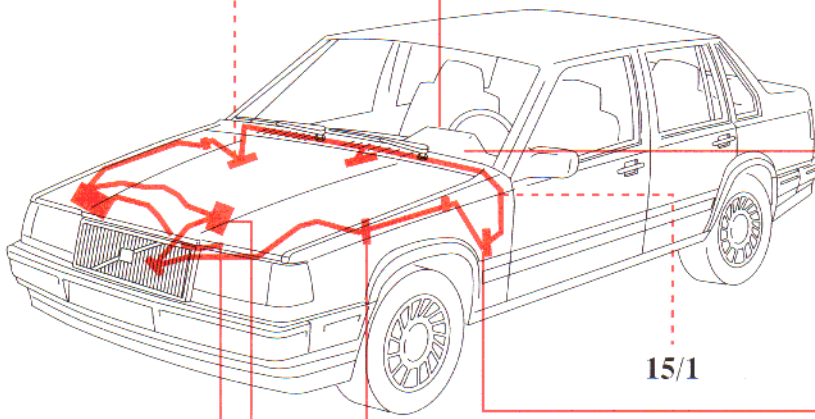
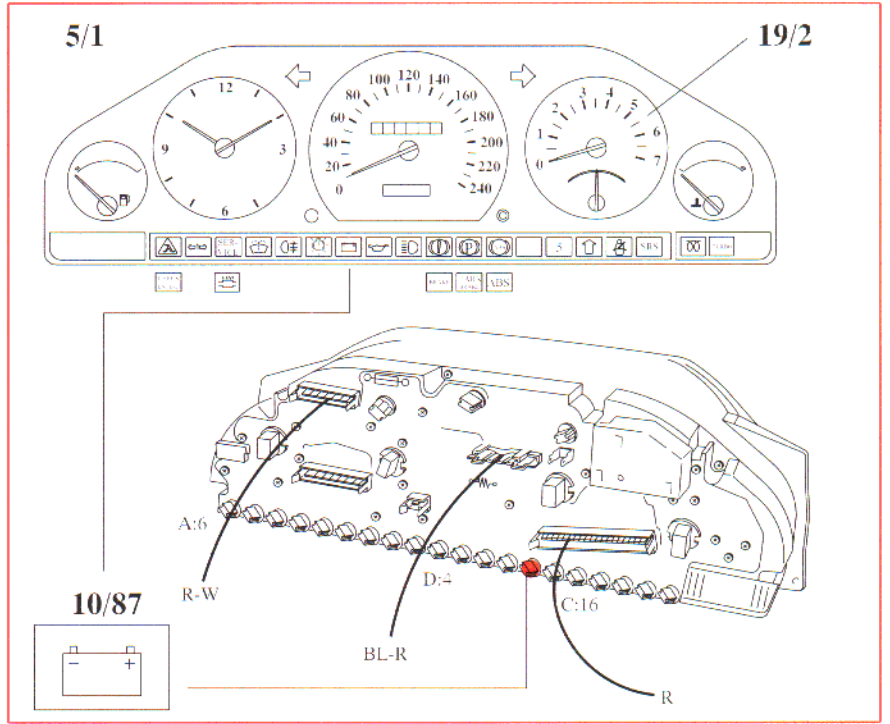
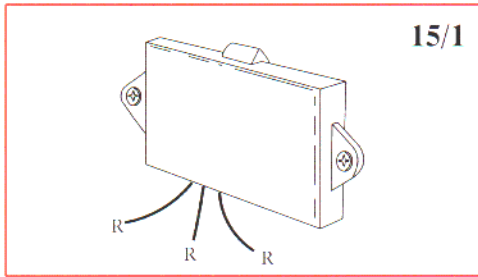
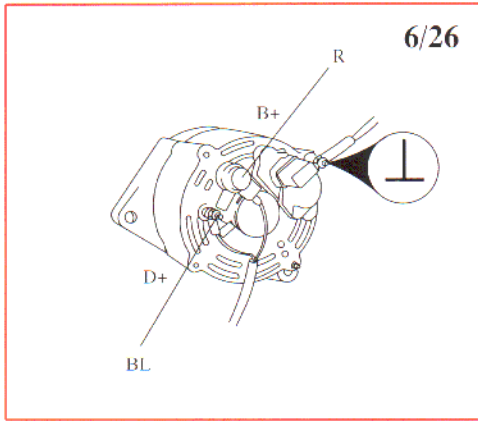
Power supply



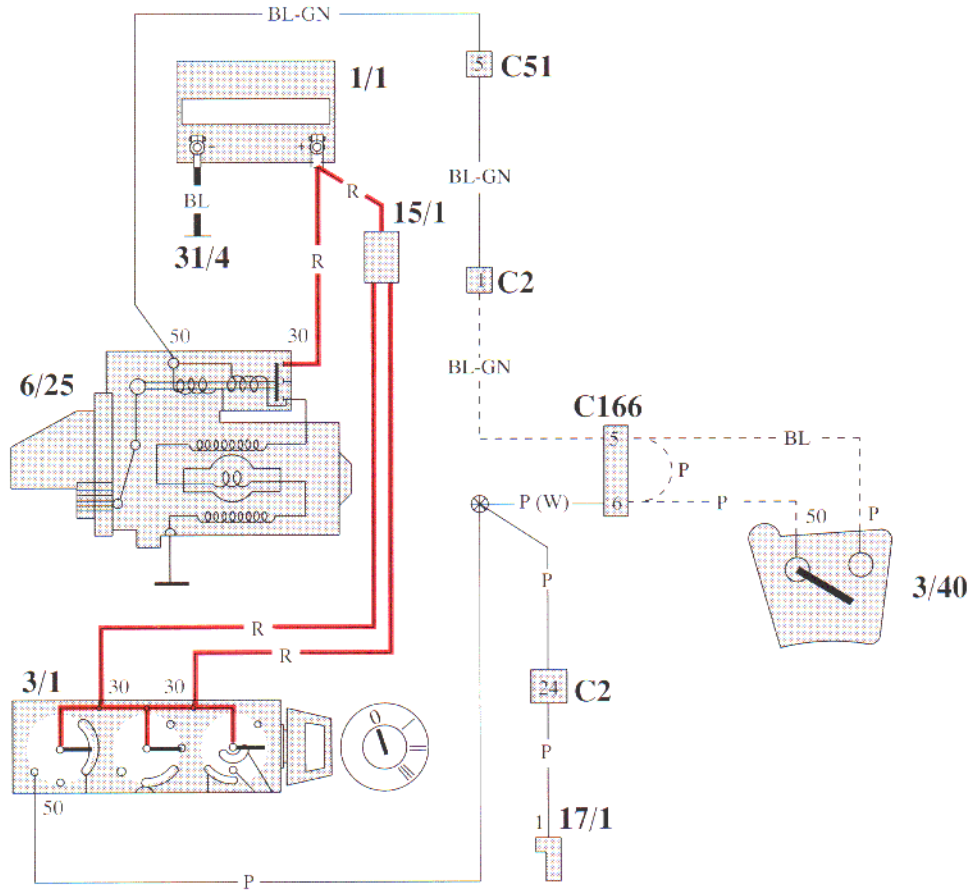
**Ignition switched ON
(engine not running)**

Generator charging





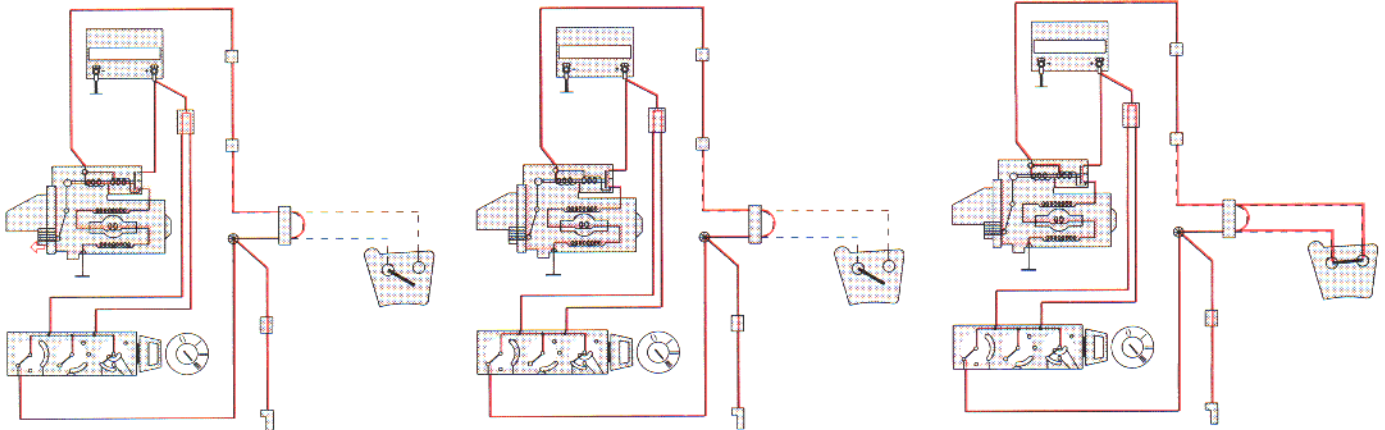
Starter system

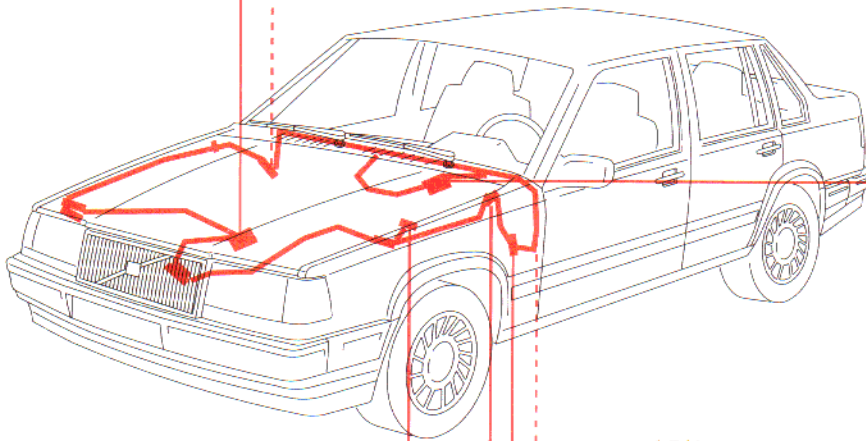
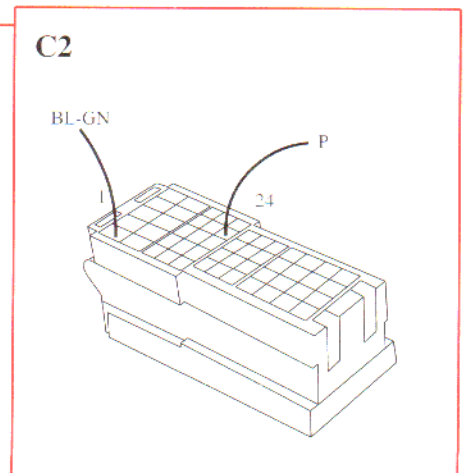
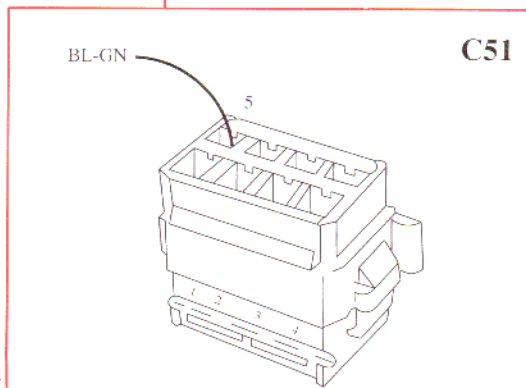
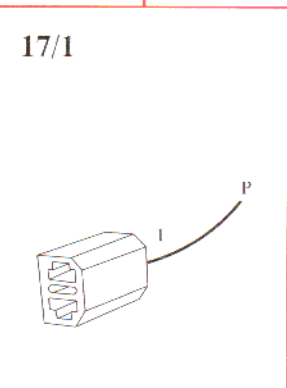
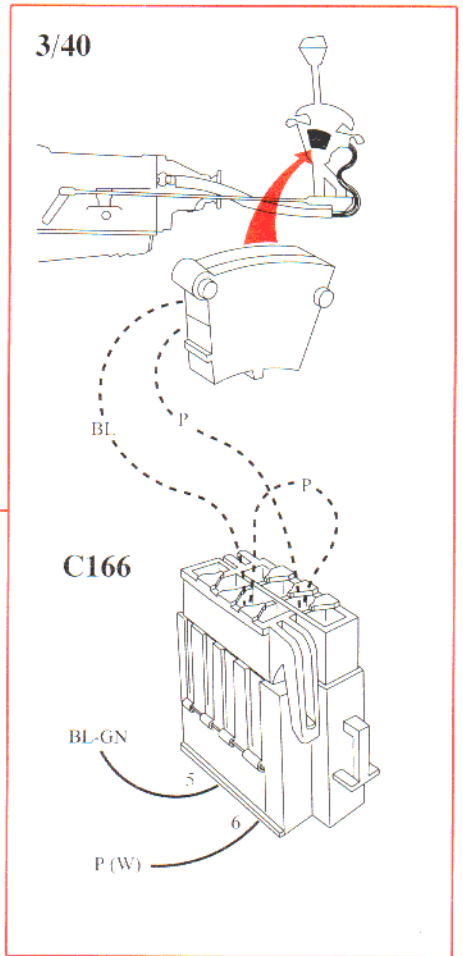
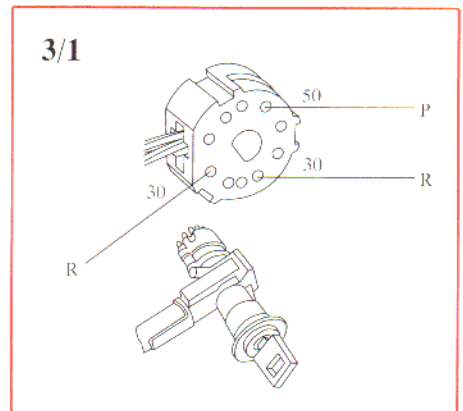
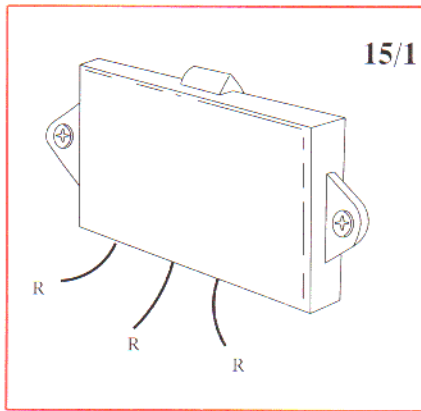
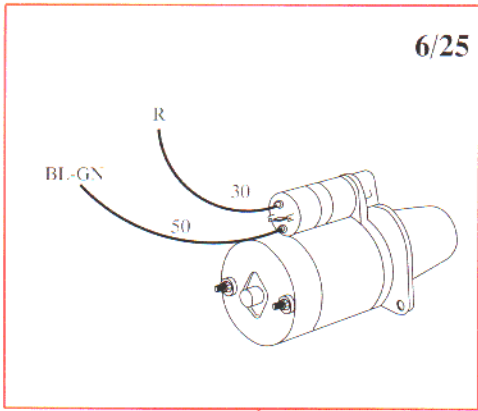


Control solenoid engages pinion in ring gear

Pinion engaged, connections closed and starter motor operates

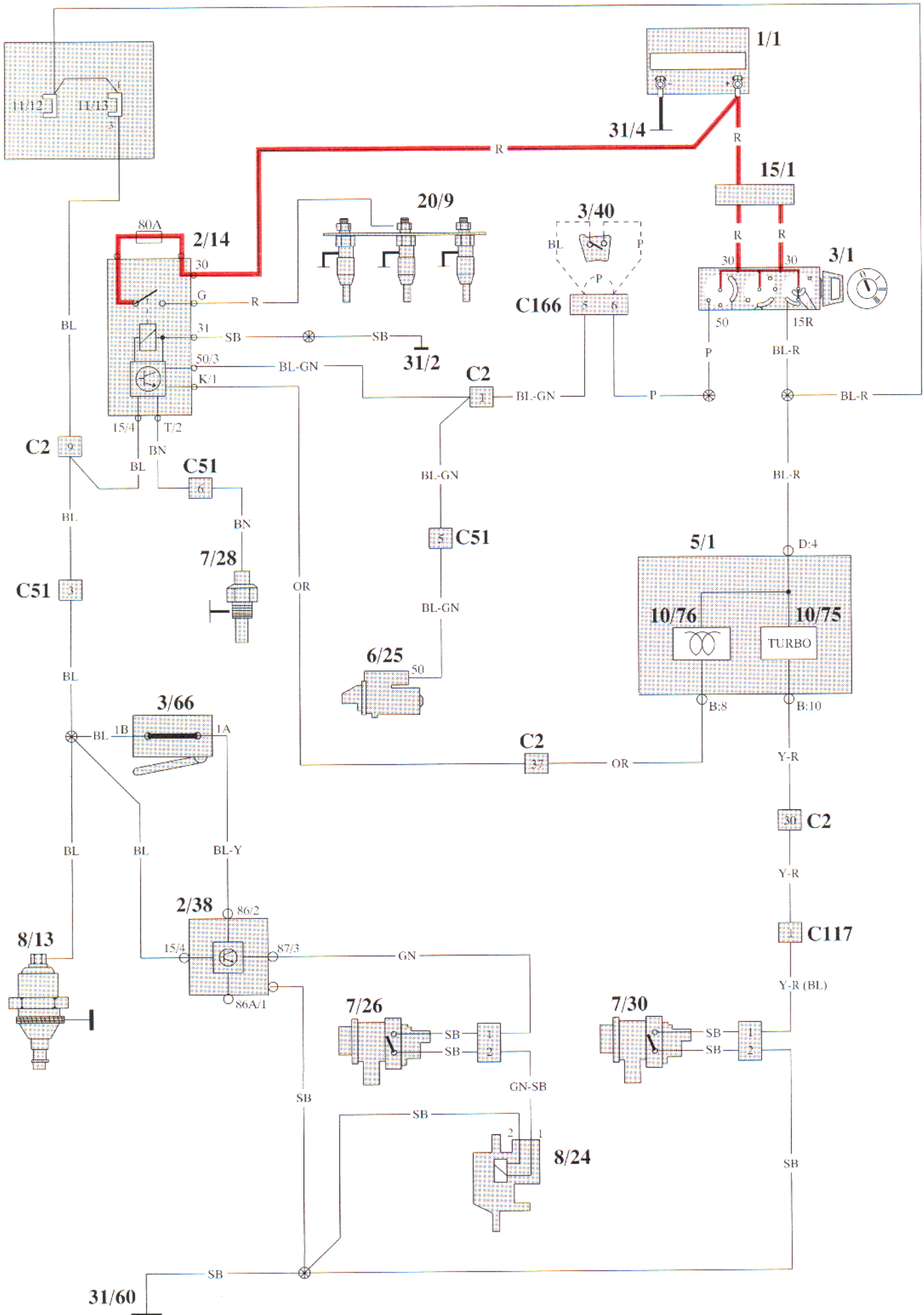
On vehicles with automatic transmission, the start inhibit switch, 3/40, must be closed for the starter motor to be energized

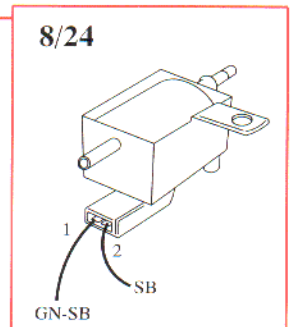
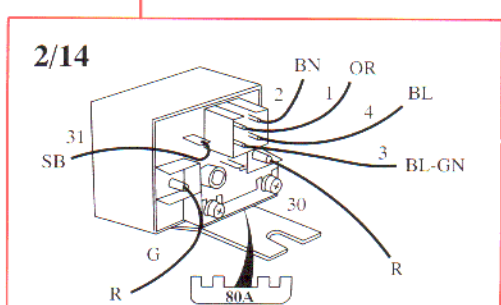
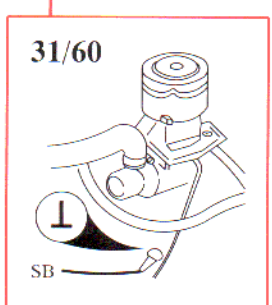
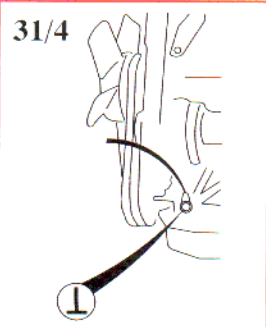
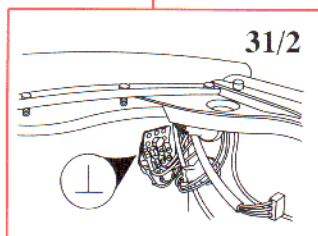
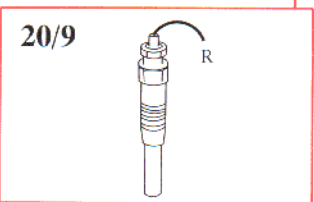
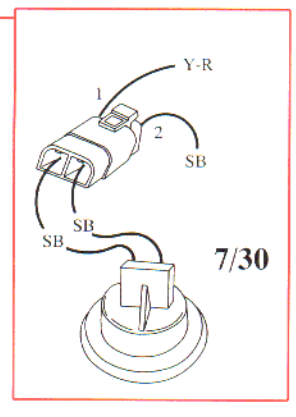
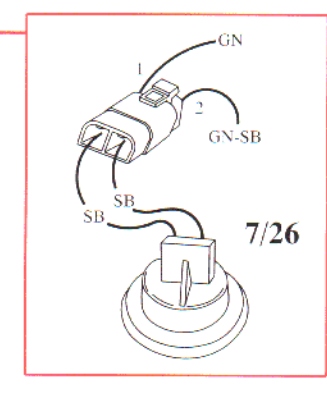
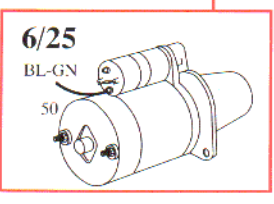
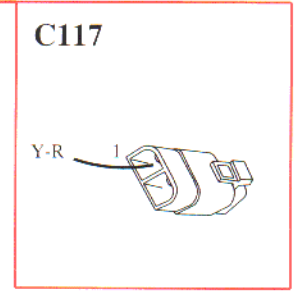
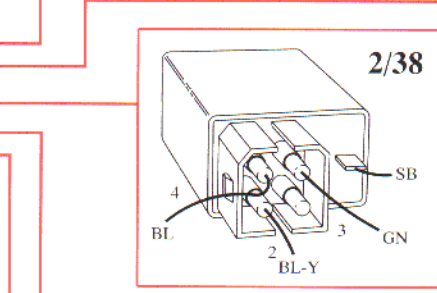
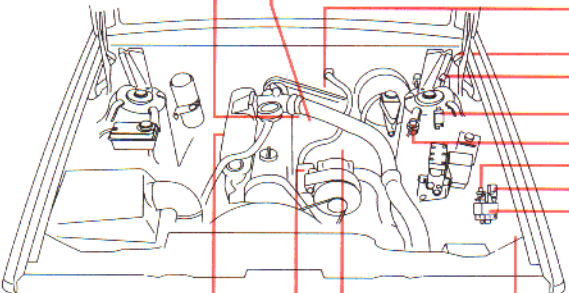
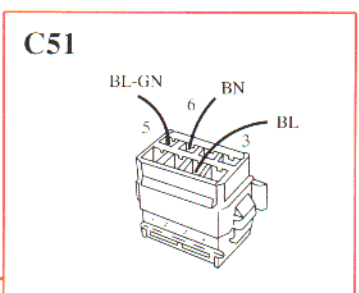
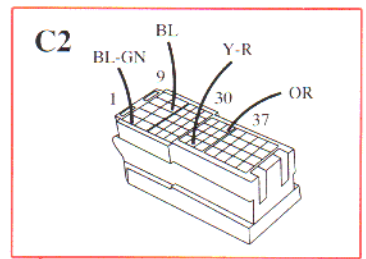
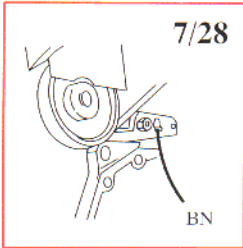
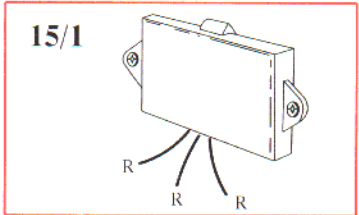
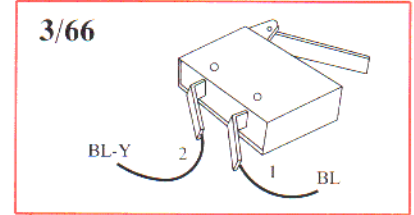
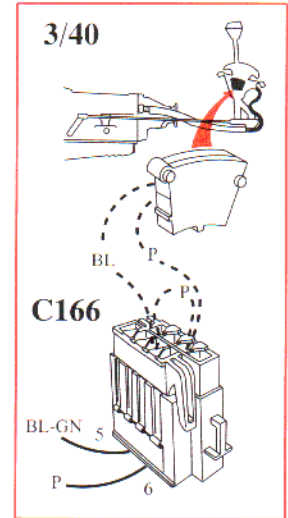
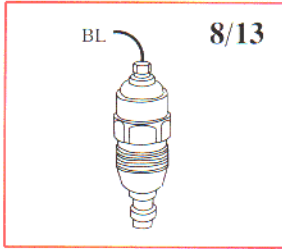
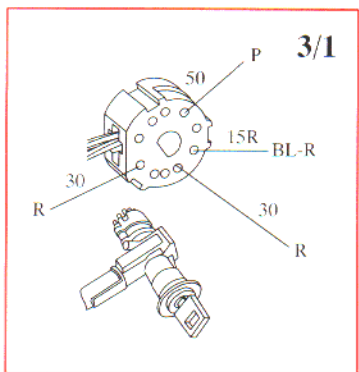
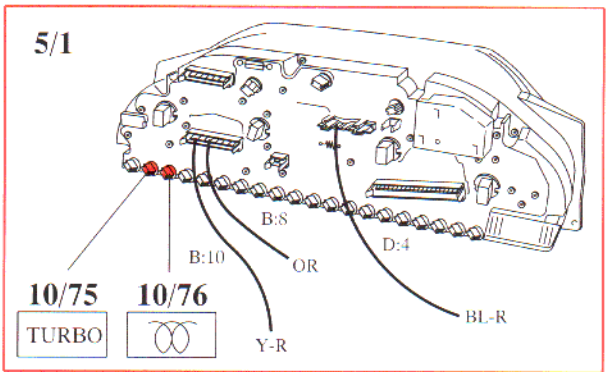
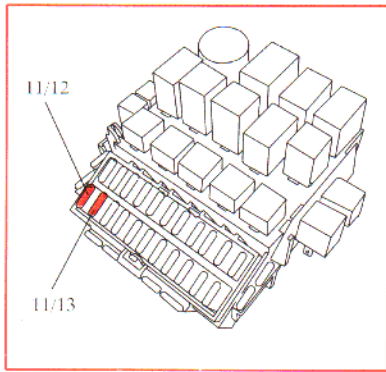




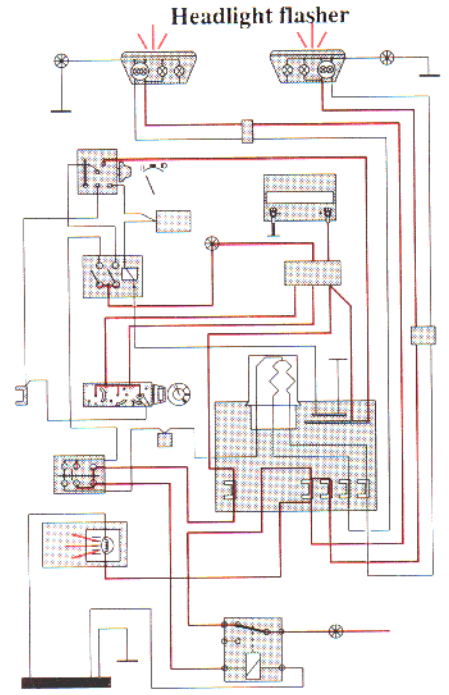
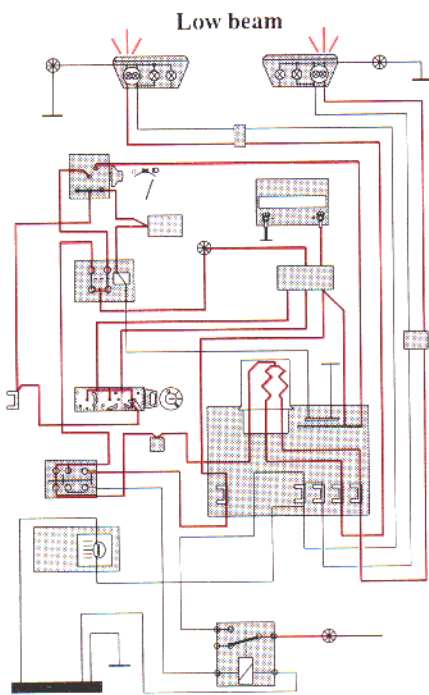
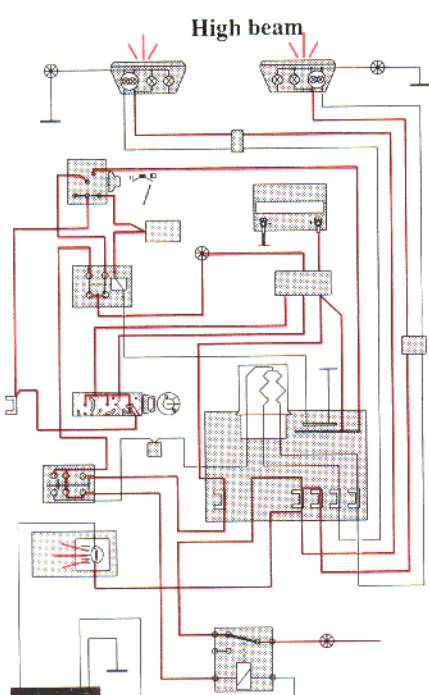
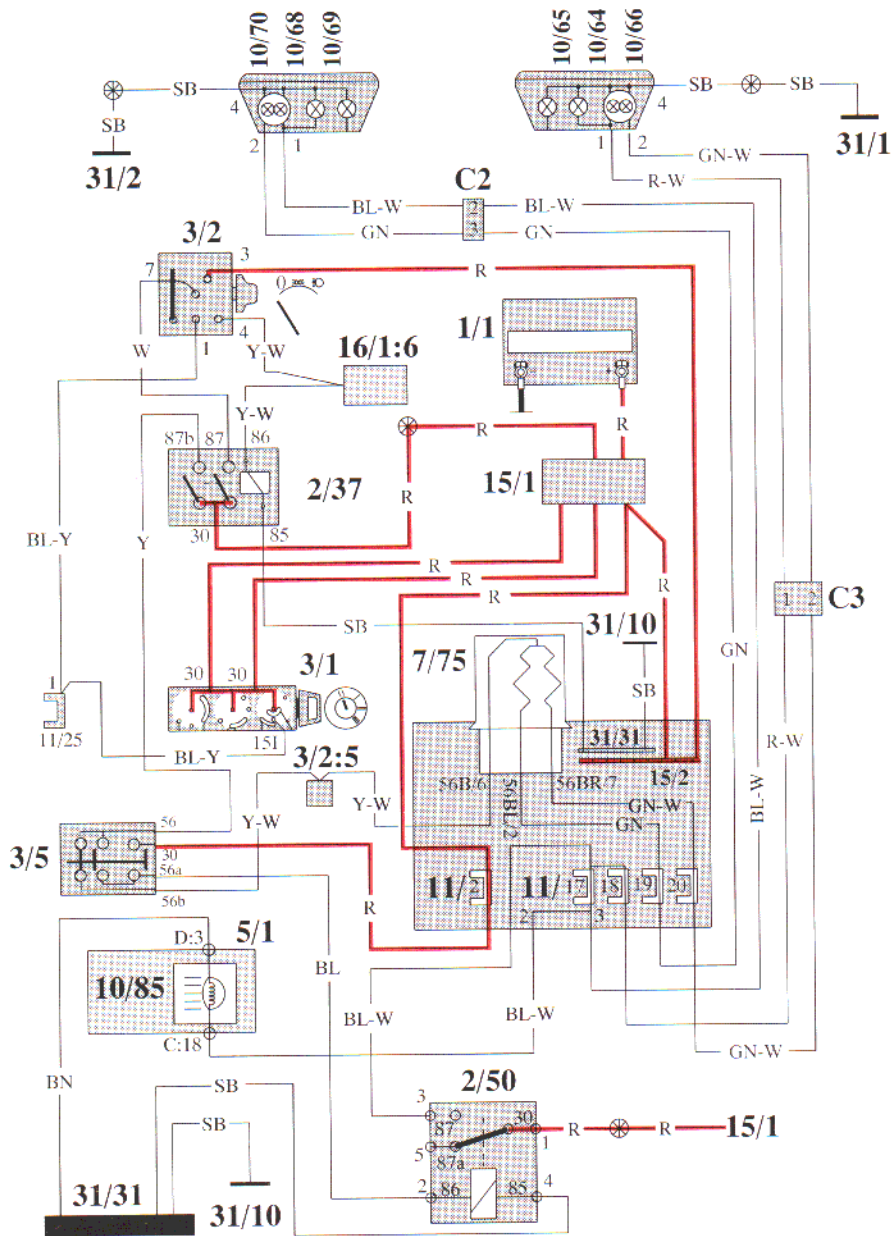
15/1

Diesel preheating, overload protector and EGR (D 24 TIC)

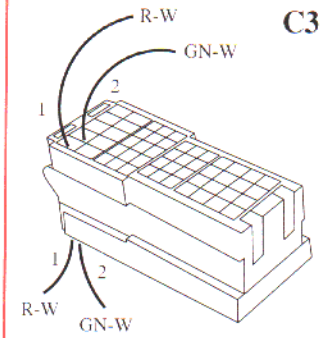
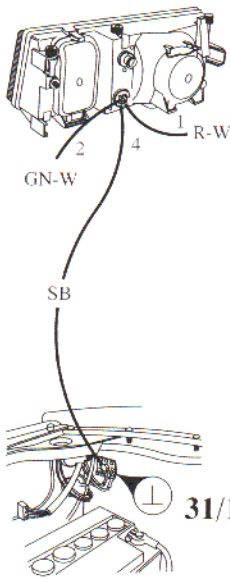




High and low beam



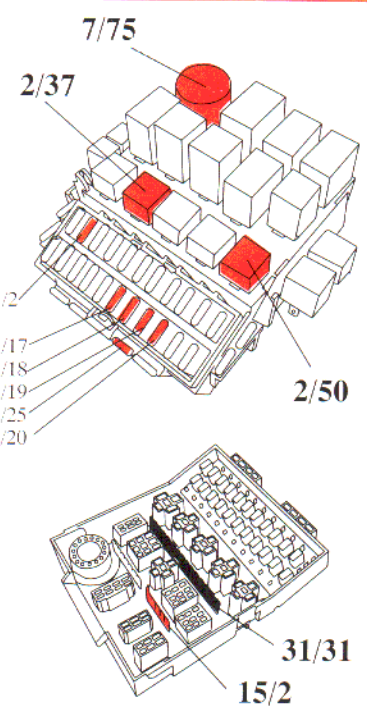
10/64, 10/65, 10/66



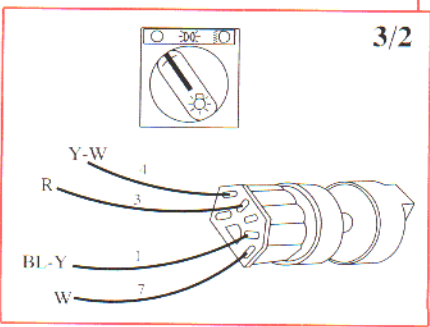
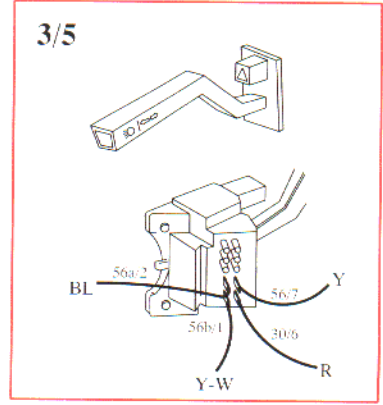
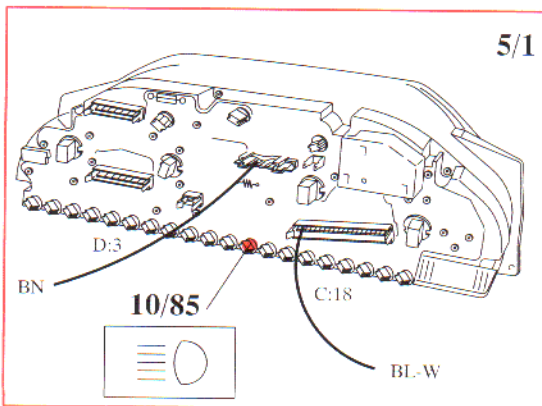
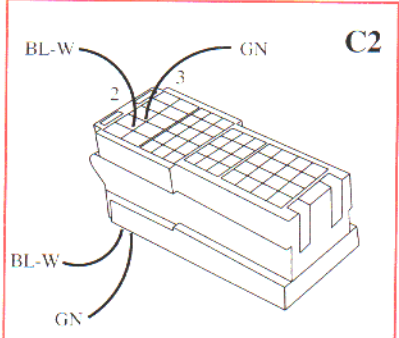
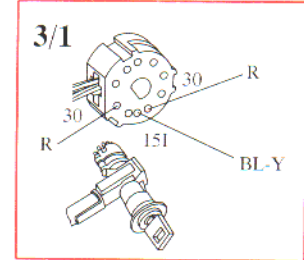
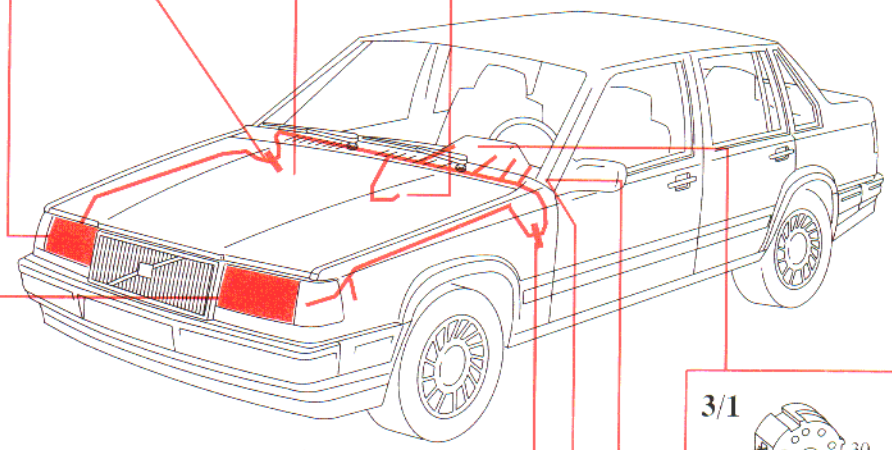
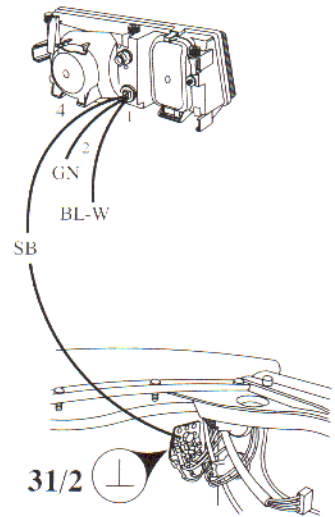
7/75
56BL/2 GN
56B/6 Y-W
56BR/7 GN-W

2/37
30/1 R
86/2 Y-W
87/3 W
85/4 SB
87b/5 Y

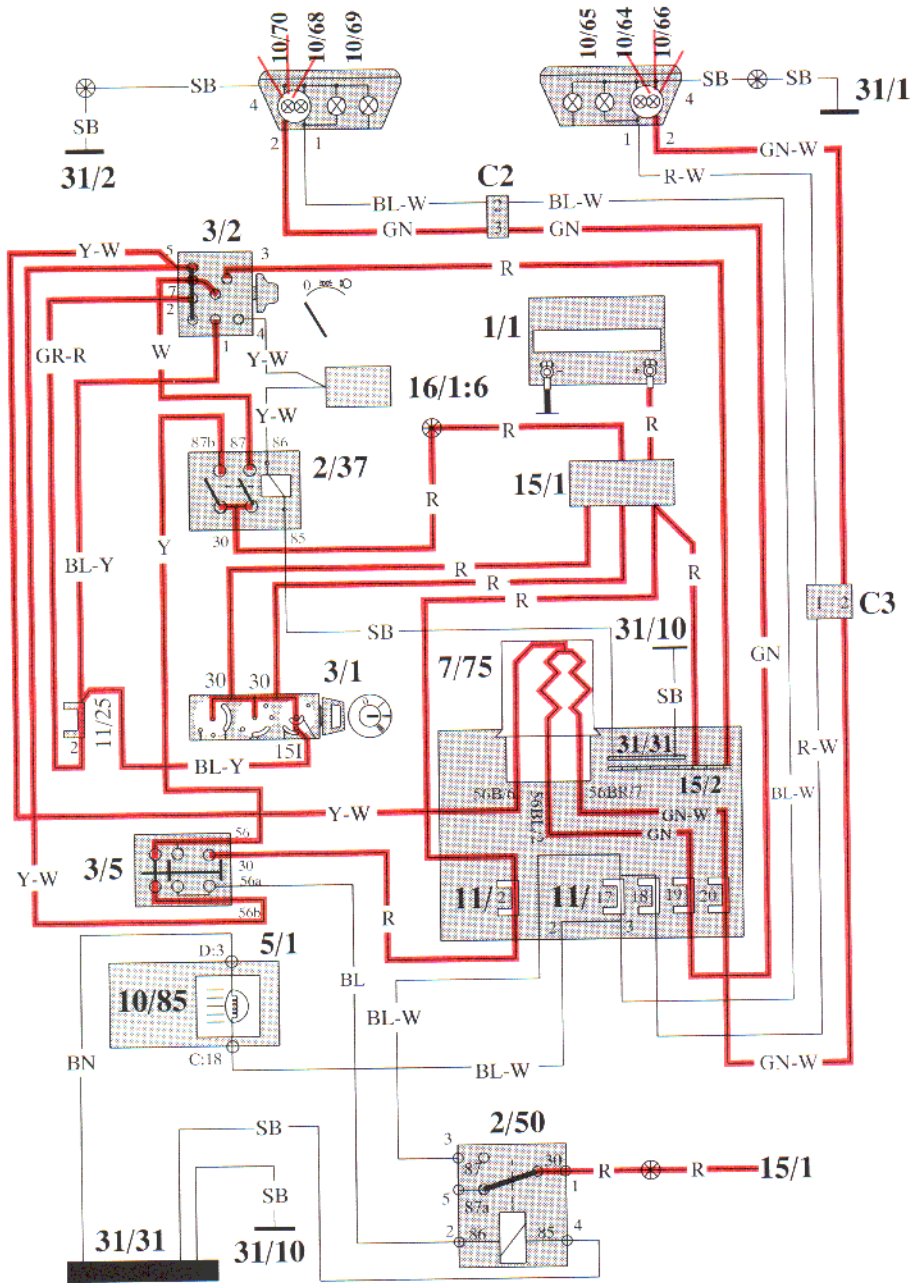
2/50
30/1 R
86/2 BL
87/3 BL-W
85/4 SB



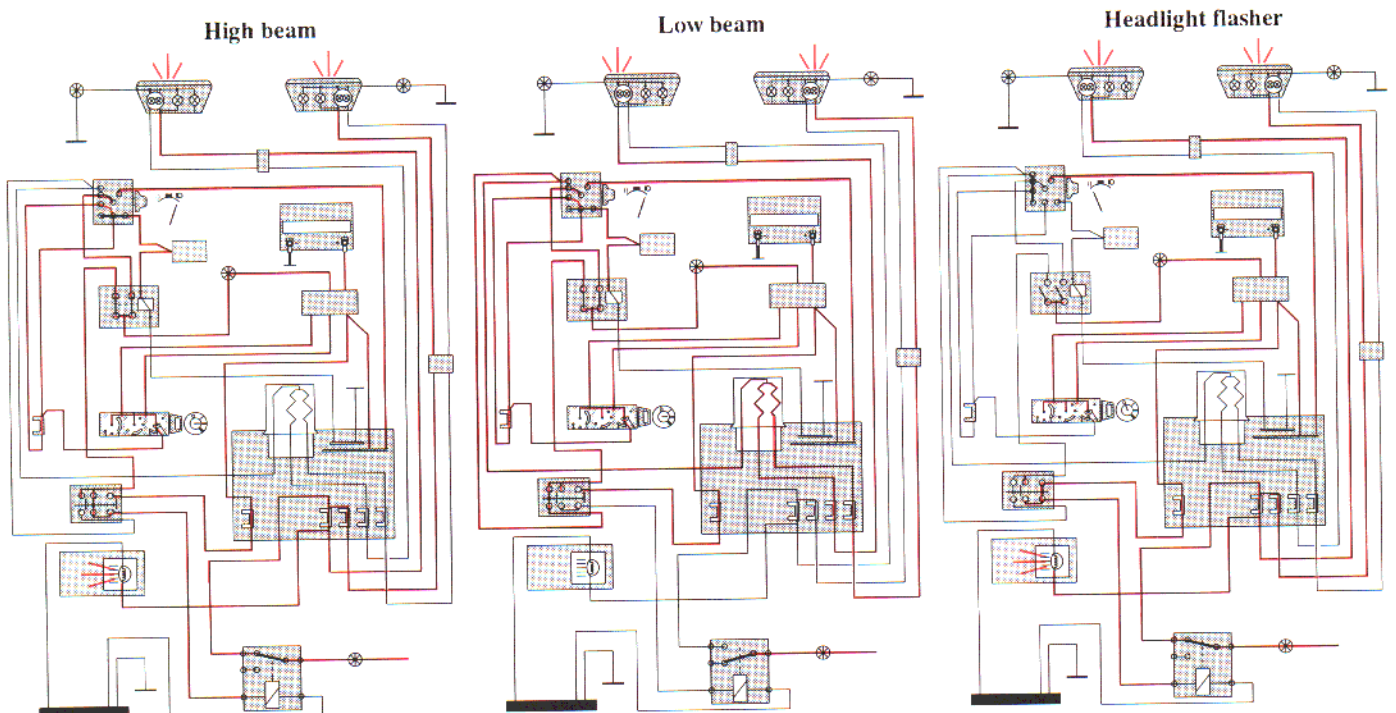
10/68, 10/69, 10/70



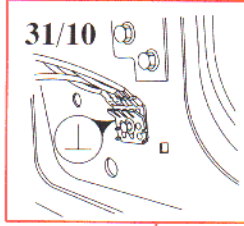
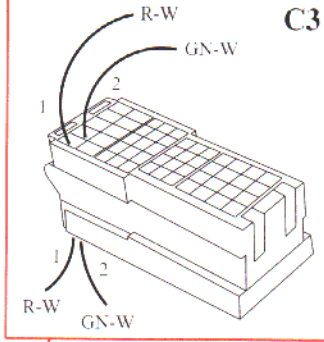
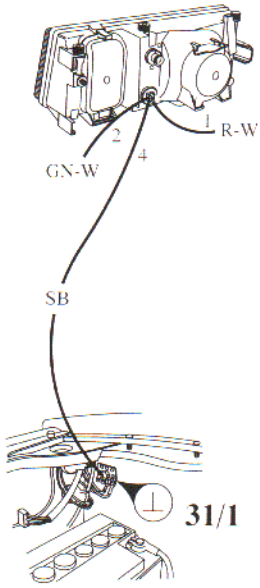
High and low beam, Nordic region, Netherlands, Belgium



Automatic low beam with ignition lock (3/1) in position II and light switch (3/2) in position 0 (can be disconnected if fuse no. 25 is removed)



10/64, 10/65, 10/66



7/75

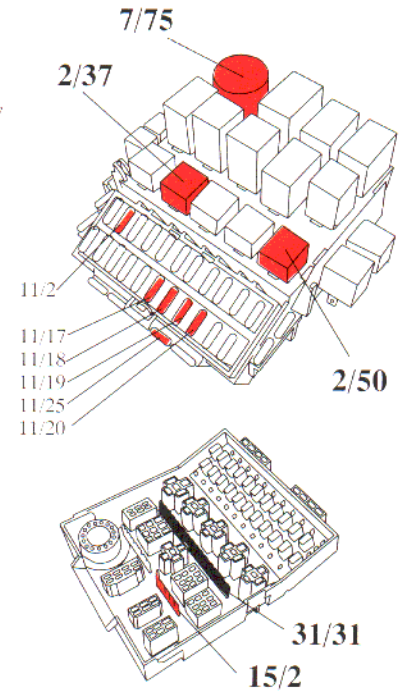
56BL/2 GN
56B/6 Y-W
56BR/7 GN-W

2/37

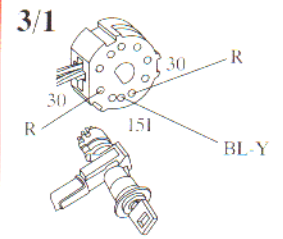
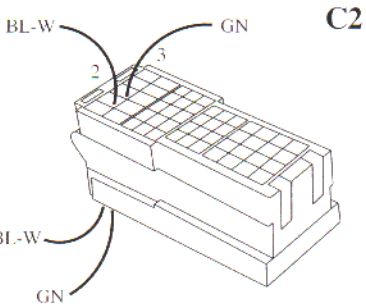
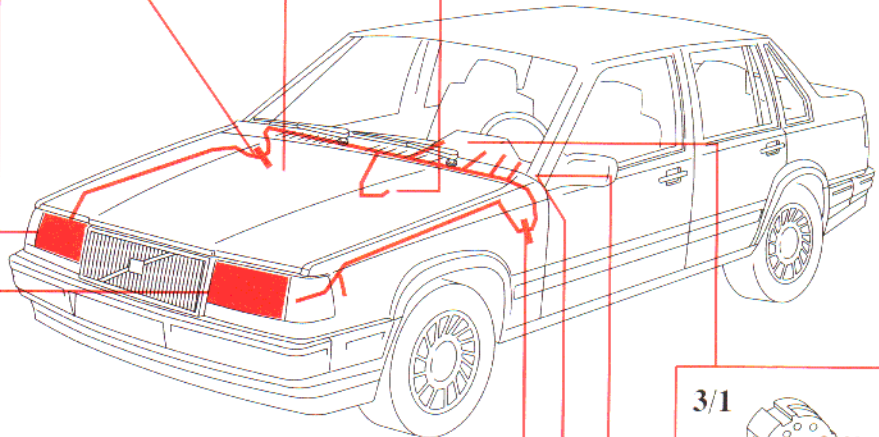
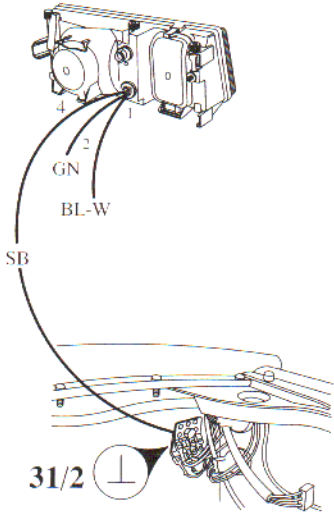
30/1 R
86/2 Y-W
87/3 W
85/4 SB
87b/5 Y

2/50

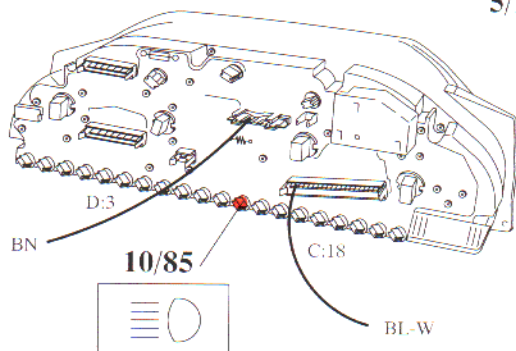
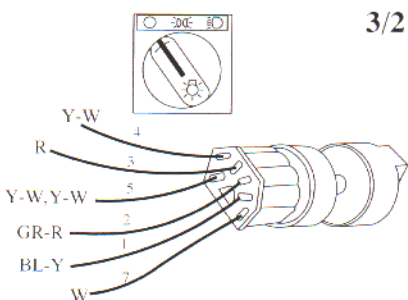
30/1 R
86/2 BL
87/3 BL-W
85/4 SB



10/68, 10/69, 10/70

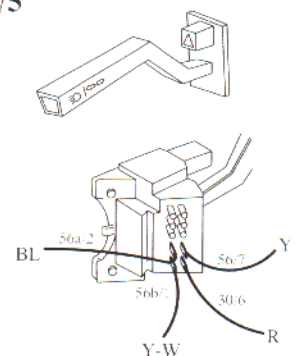


3/2

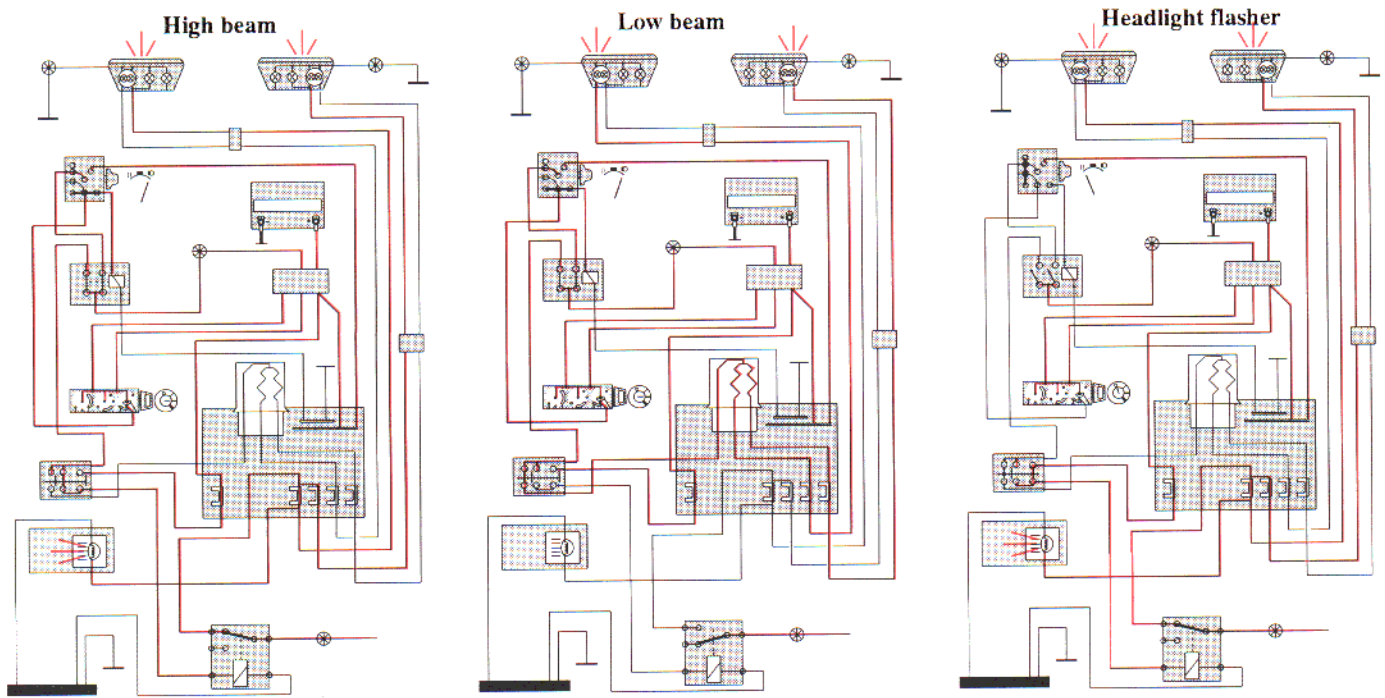
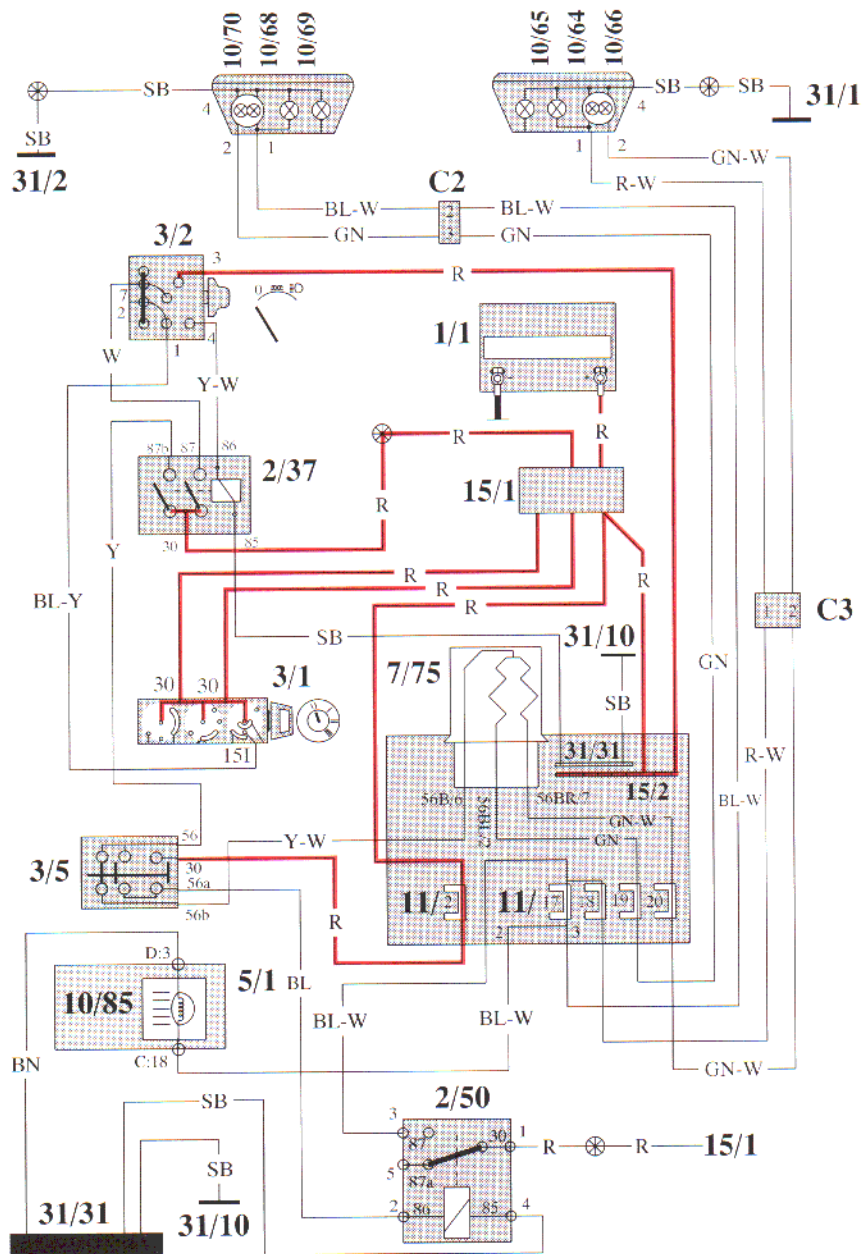


5/1

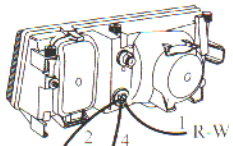
3/5



High and low beam, Great Britain

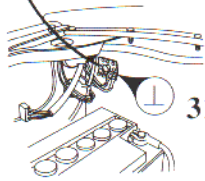


10/64, 10/65, 10/66



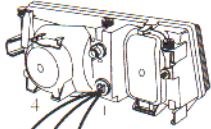
GN-W

SB



31/1

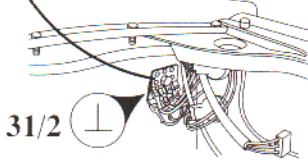
10/68, 10/69, 10/70



GN

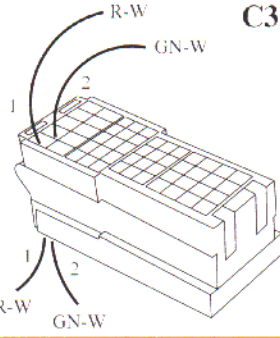
BL-W

SB



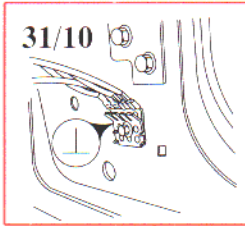
31/2

C3



R-W

31/10



7/75

- 56BL/2 GN
- 56B/6 Y-W
- 56BR/7 GN-W

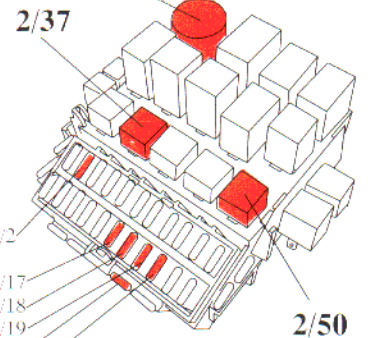
2/37

- 30/1 R
- 86/2 Y-W
- 87/3 W
- 85/4 SB
- 87b/5 Y

2/50

- 30/1 R
- 86/2 BL
- 87/3 BL-W
- 85/4 SB

7/75



11/2

11/17

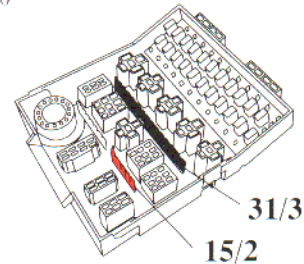
11/18

11/19

11/25

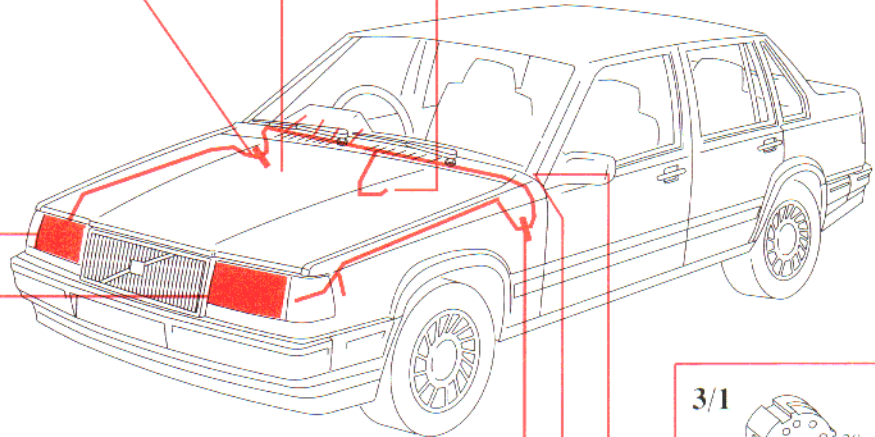
11/20

2/50

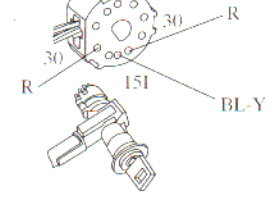


31/31

15/2



3/1



R

30

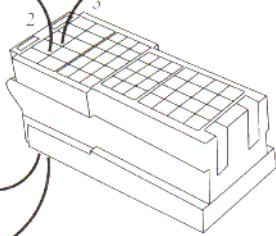
R

151

BL-Y

BL-W

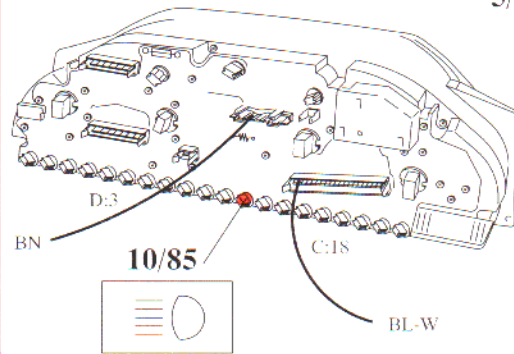
C2



BL-W

GN

5/1



D:3

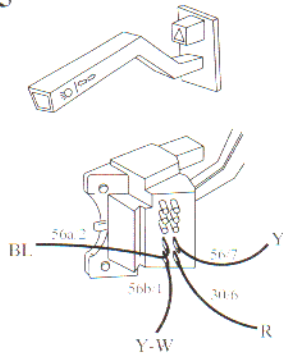
BN

10/85

C:18

BL-W

3/5



56a/2

56b/1

56b/7

30/6

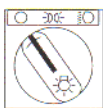
Y

BL

Y-W

R

3/2



Y-W

R

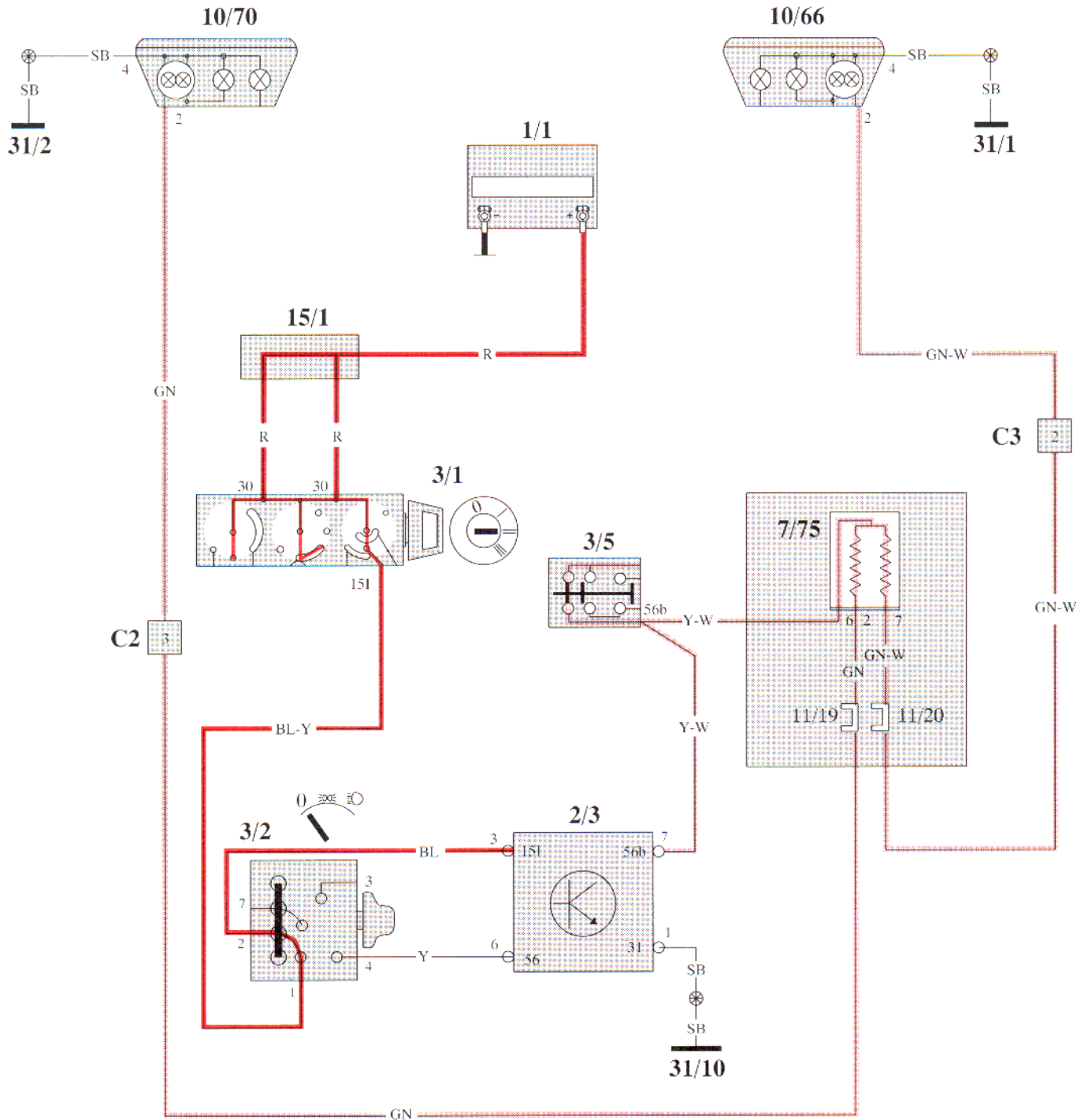
BL-Y

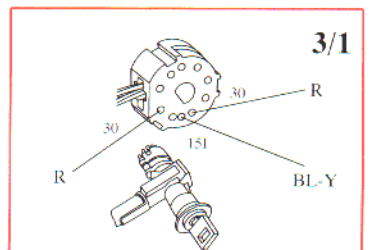
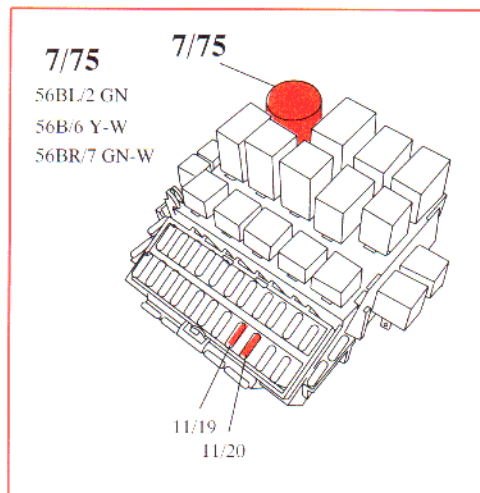
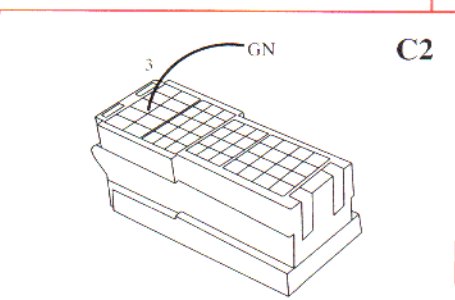
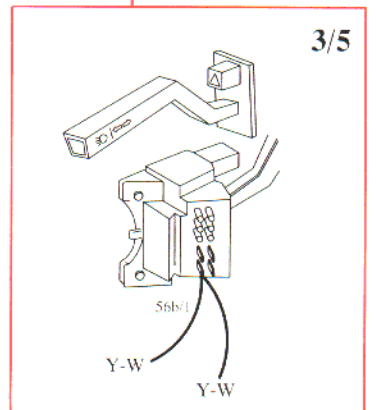
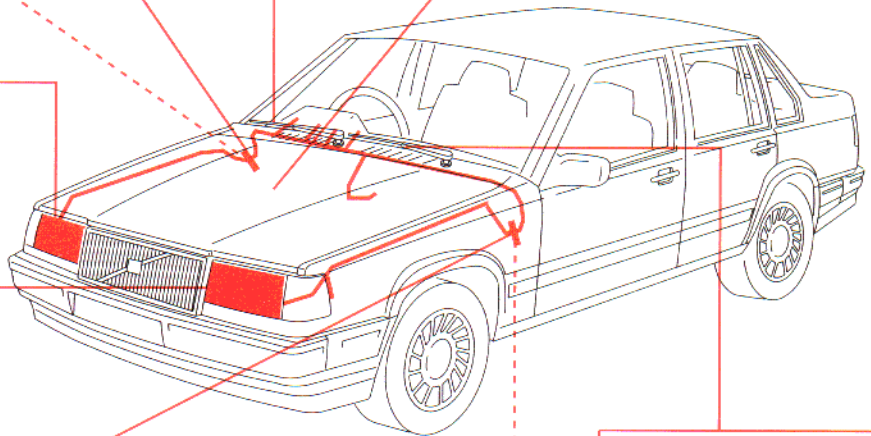
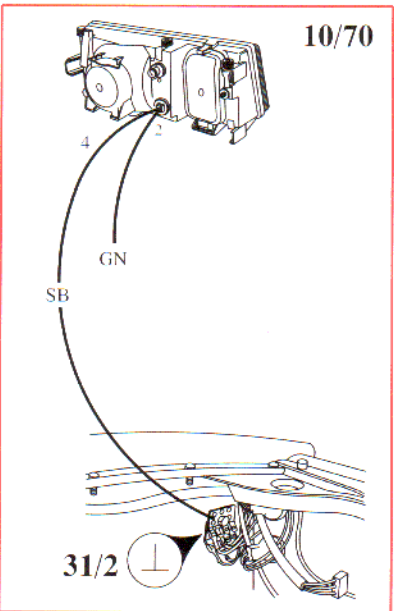
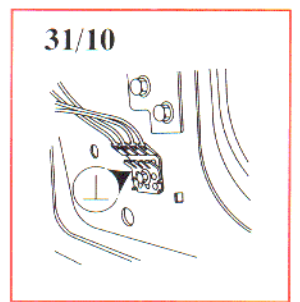
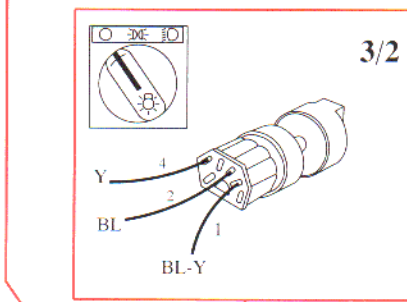
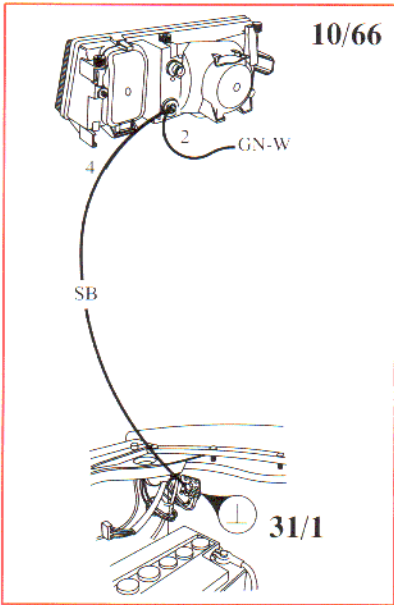
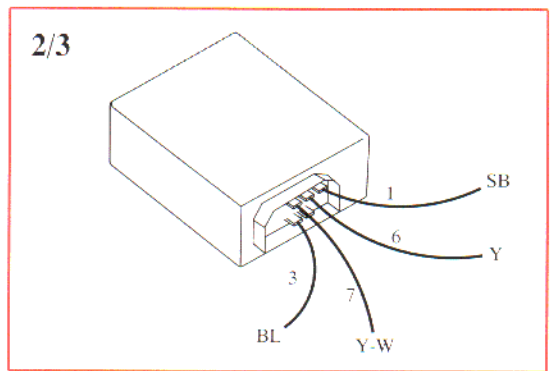
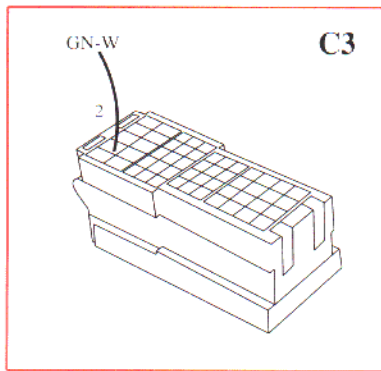
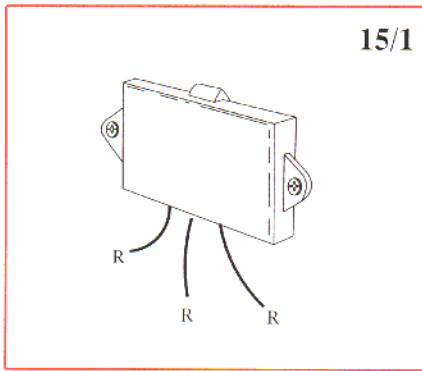
W

Reduced intensity low beam (DIM-DIP) Great Britain

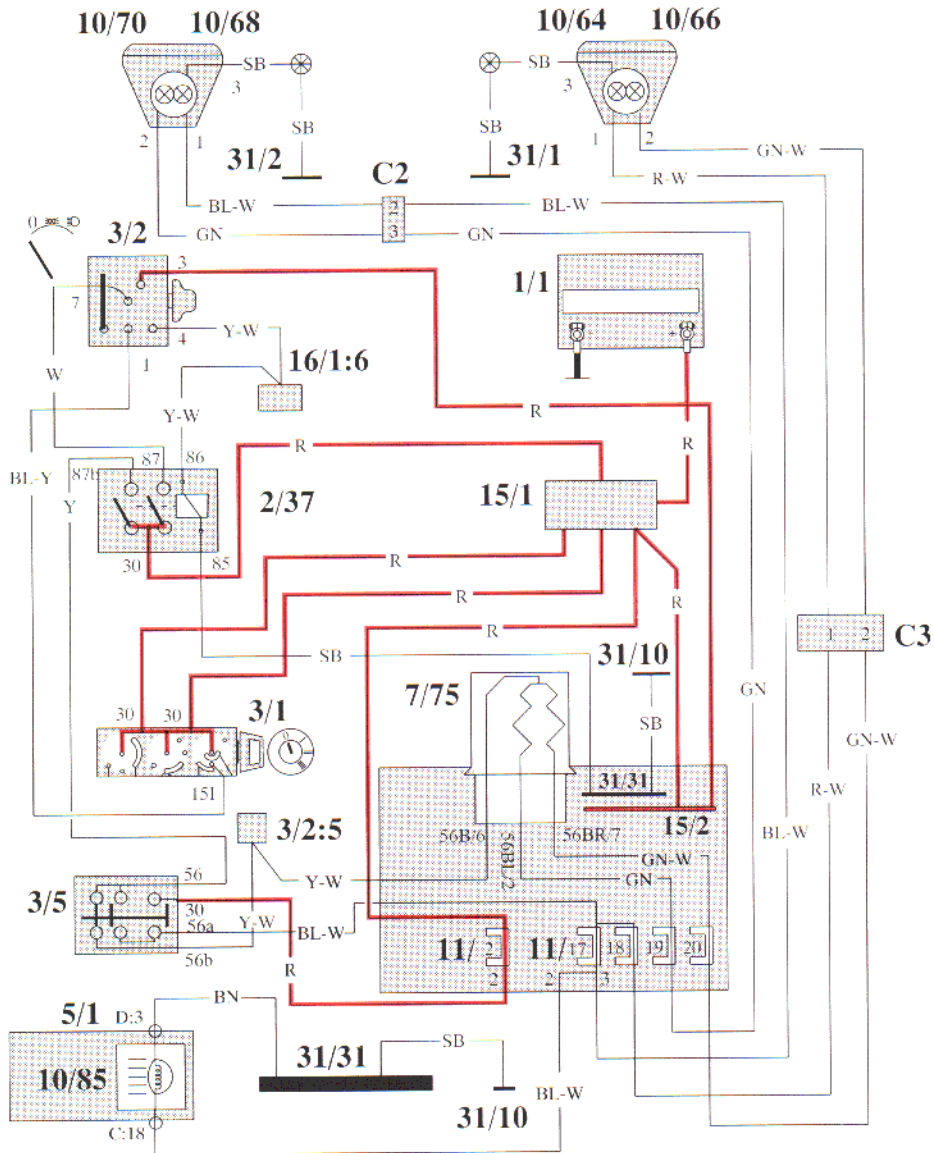
Reduced intensity low beam activated
when the regulator (2/3) receives
the following signals:

15	56
1	0





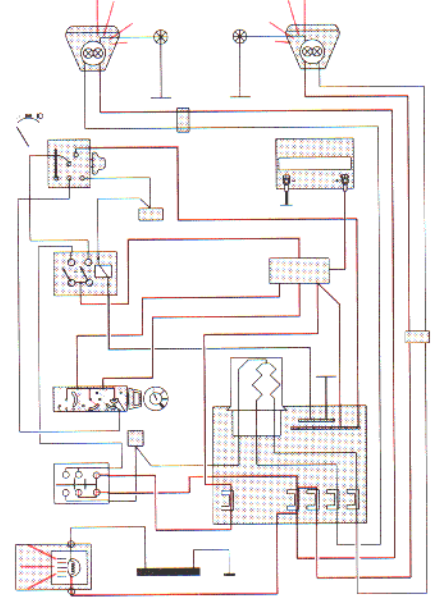
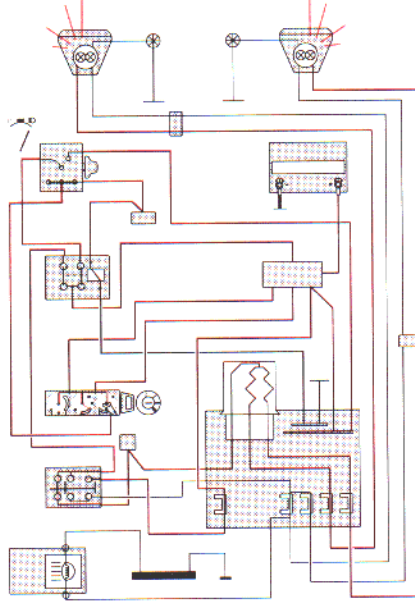
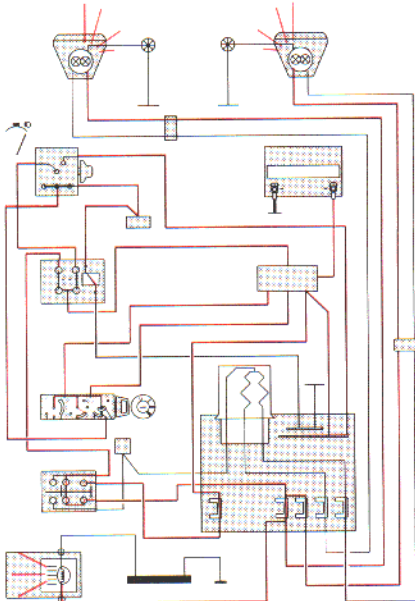
High and low beam, USA

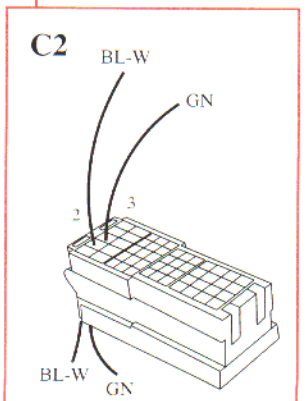
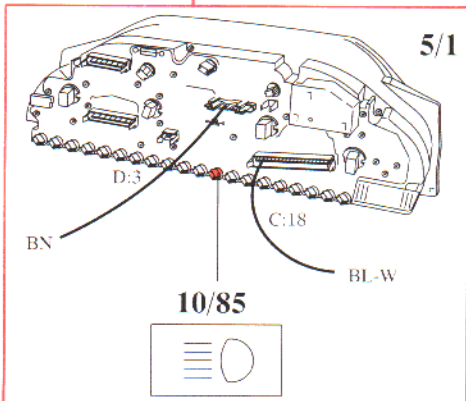
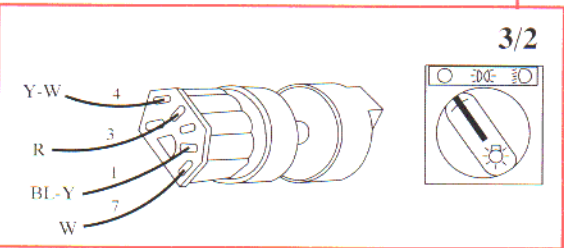
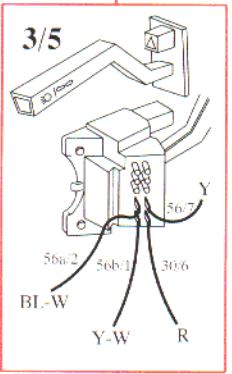
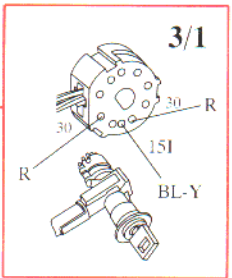
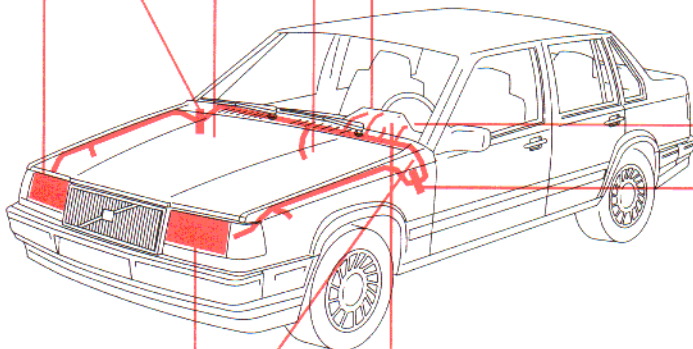
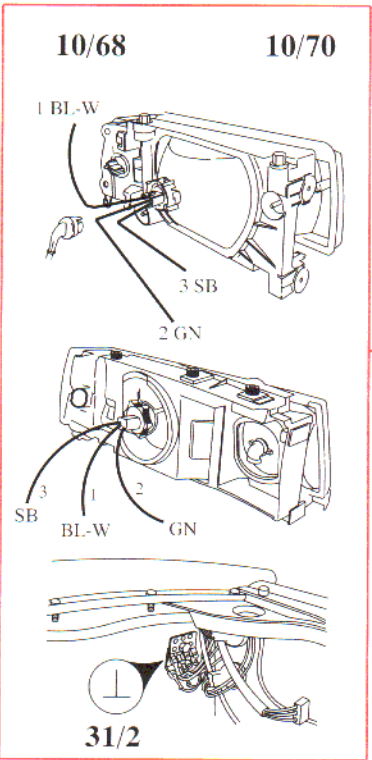
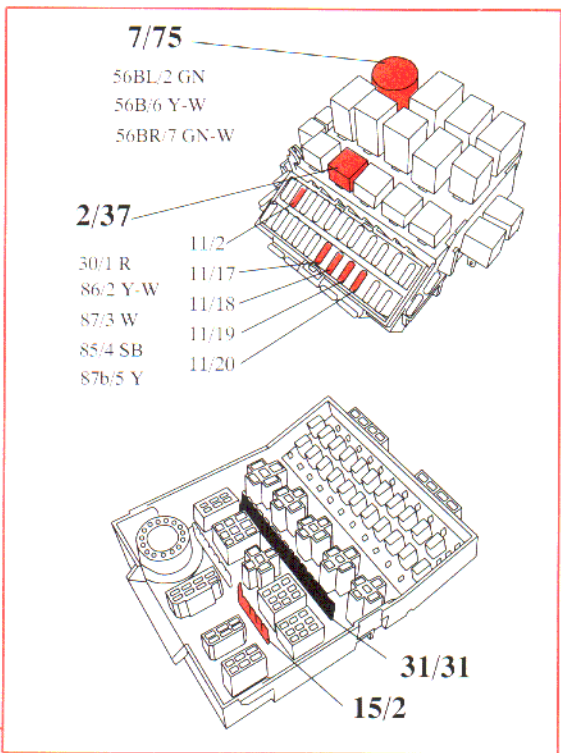
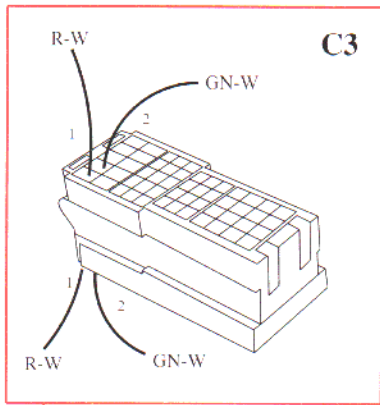
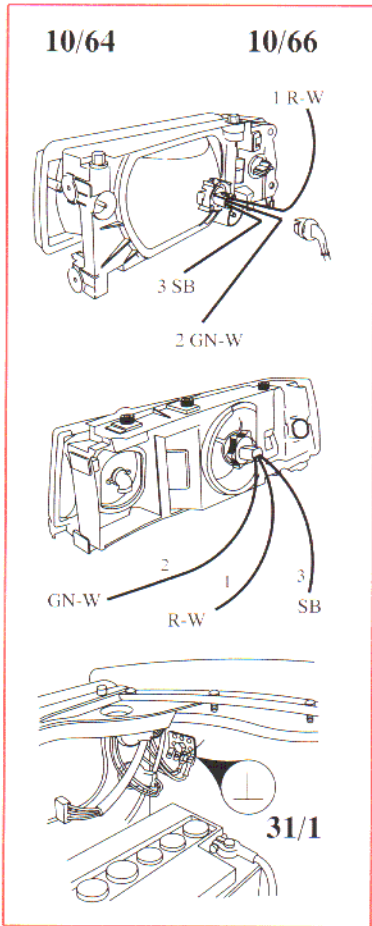


High beam

Low beam

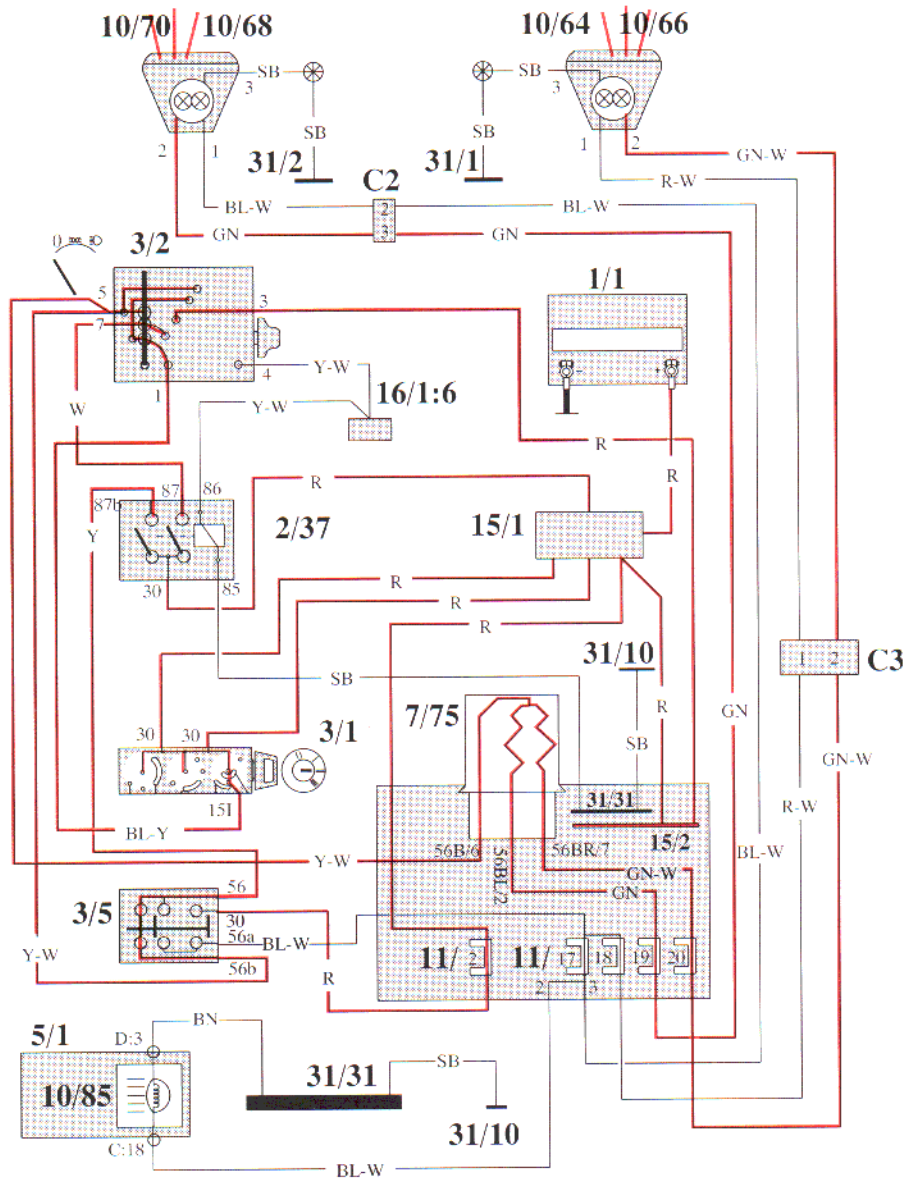
Headlight flasher





High and low beam, Canada

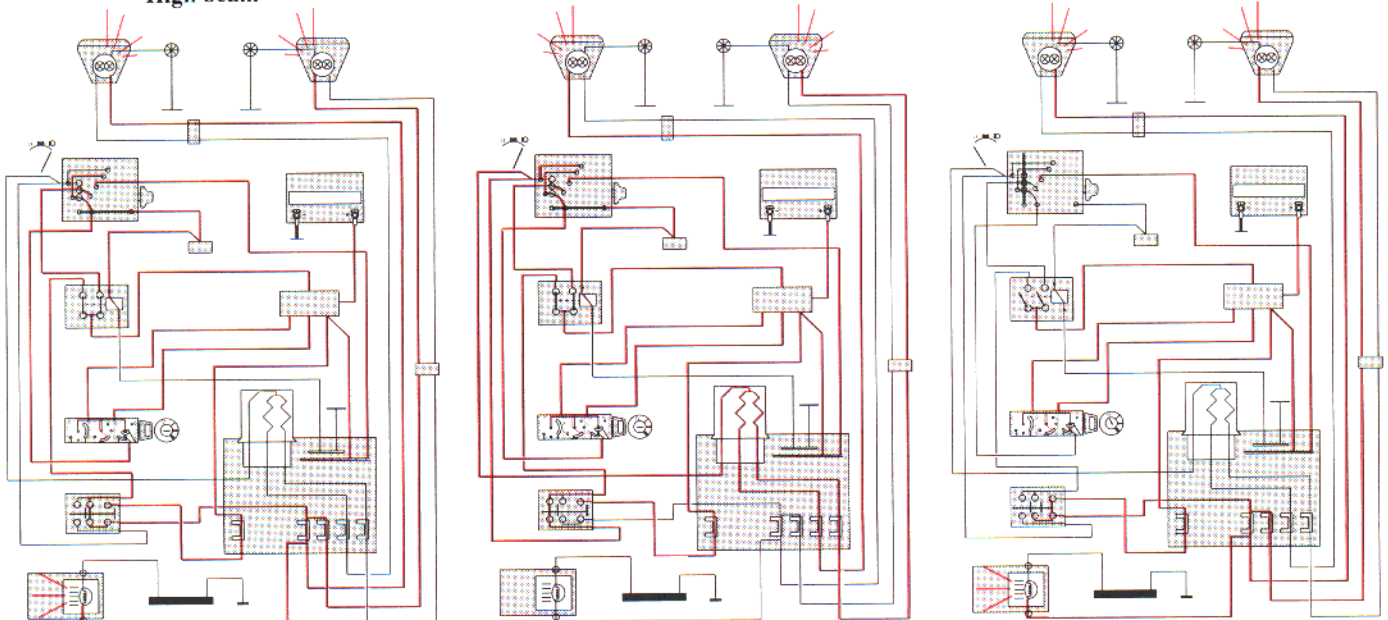
Automatic low beam with ignition lock (3/1) in pos. II

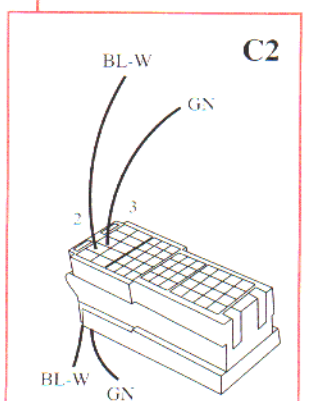
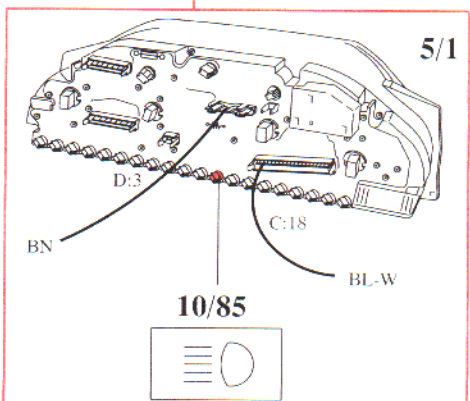
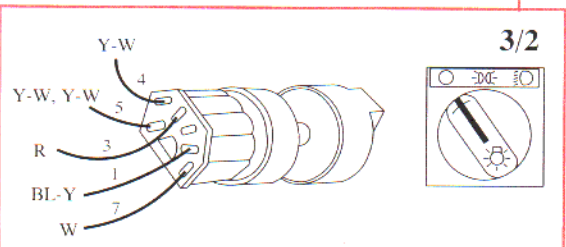
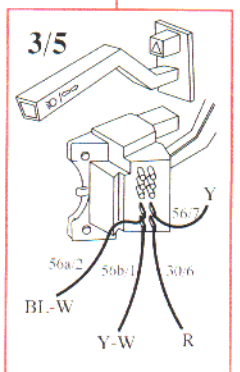
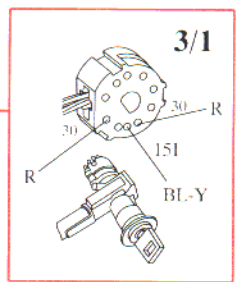
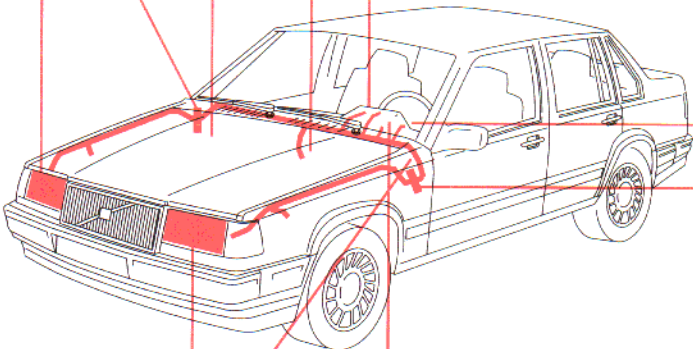
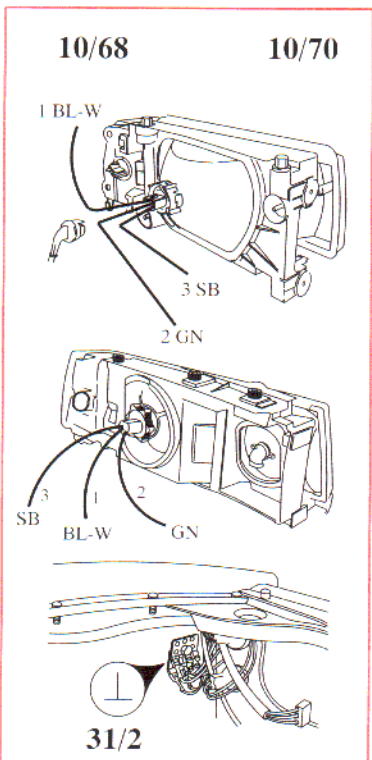
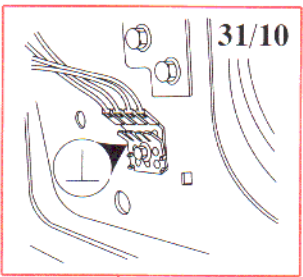
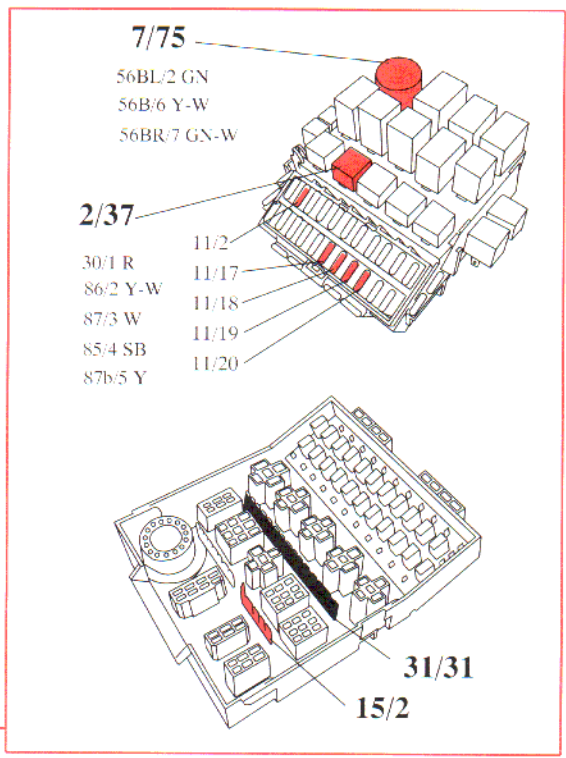
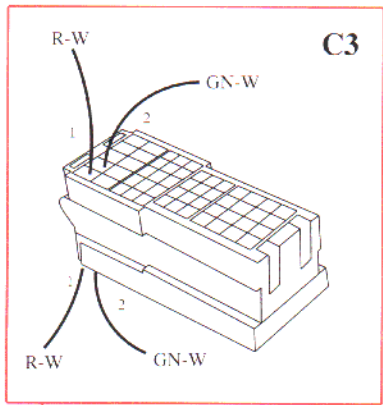
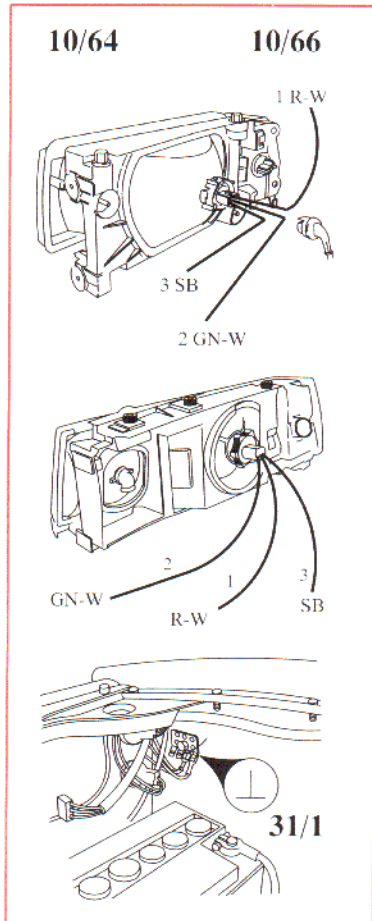


High beam

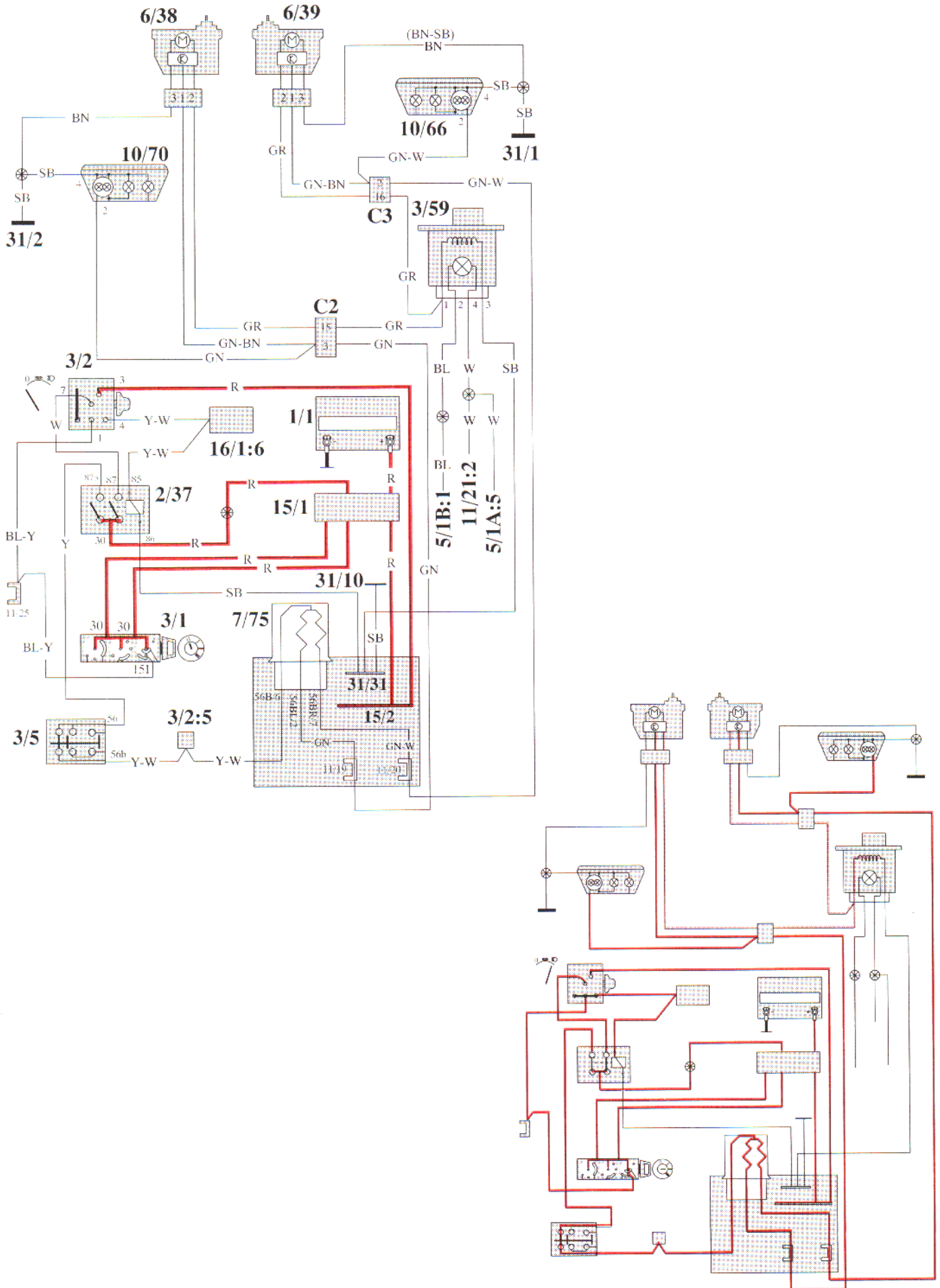
Low beam

Headlight flasher

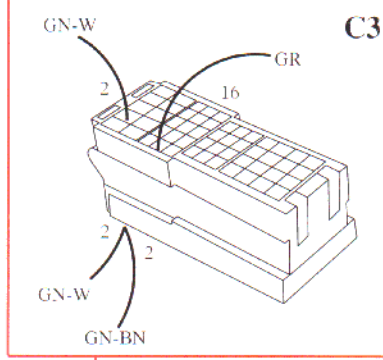
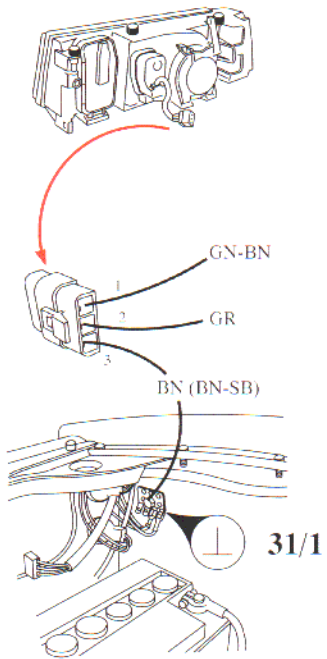




Beam width control



6/39



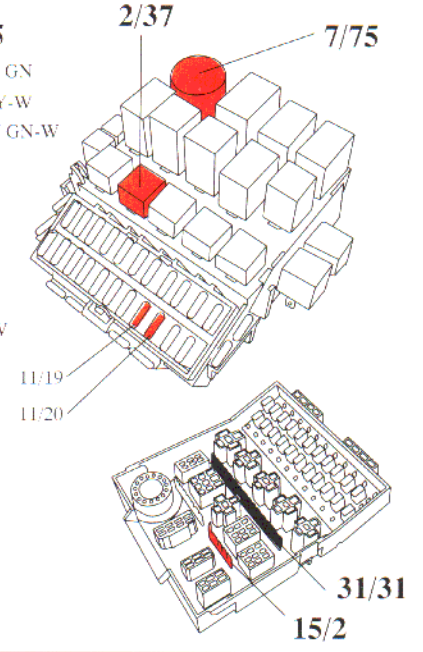
7/75

56BL/2 GN
56B/6 Y-W
56BR/7 GN-W

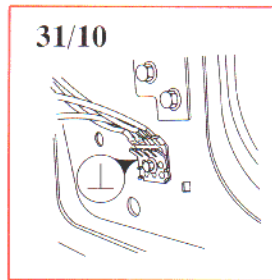
2/37

2/37

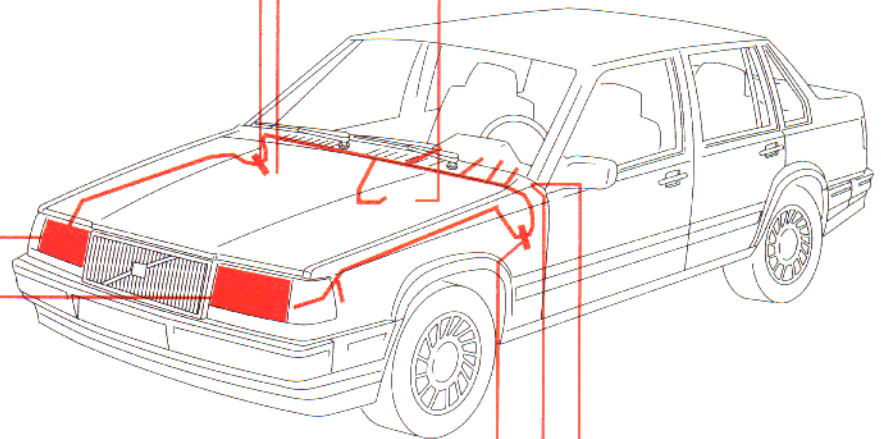
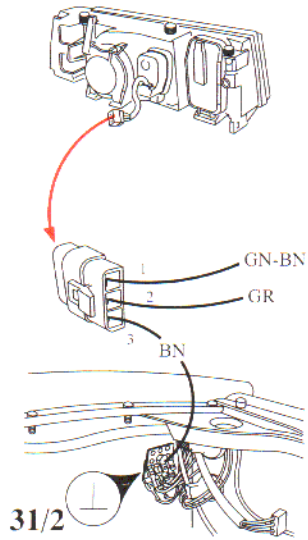
30:1 R
86:2 SB
87:3 W
85:4 Y-W
87b:5 Y



31/10

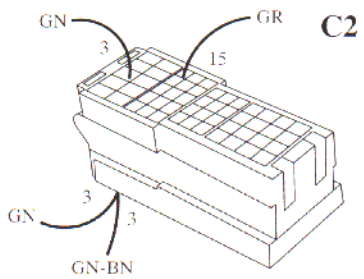


6/38

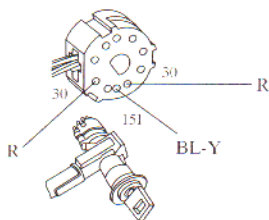


31/2

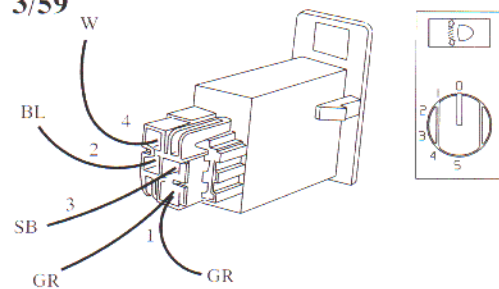
C2



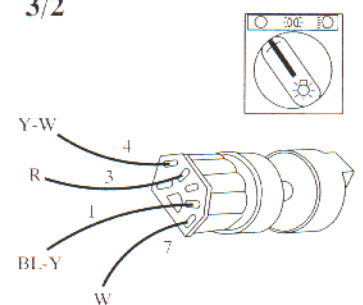
3/1



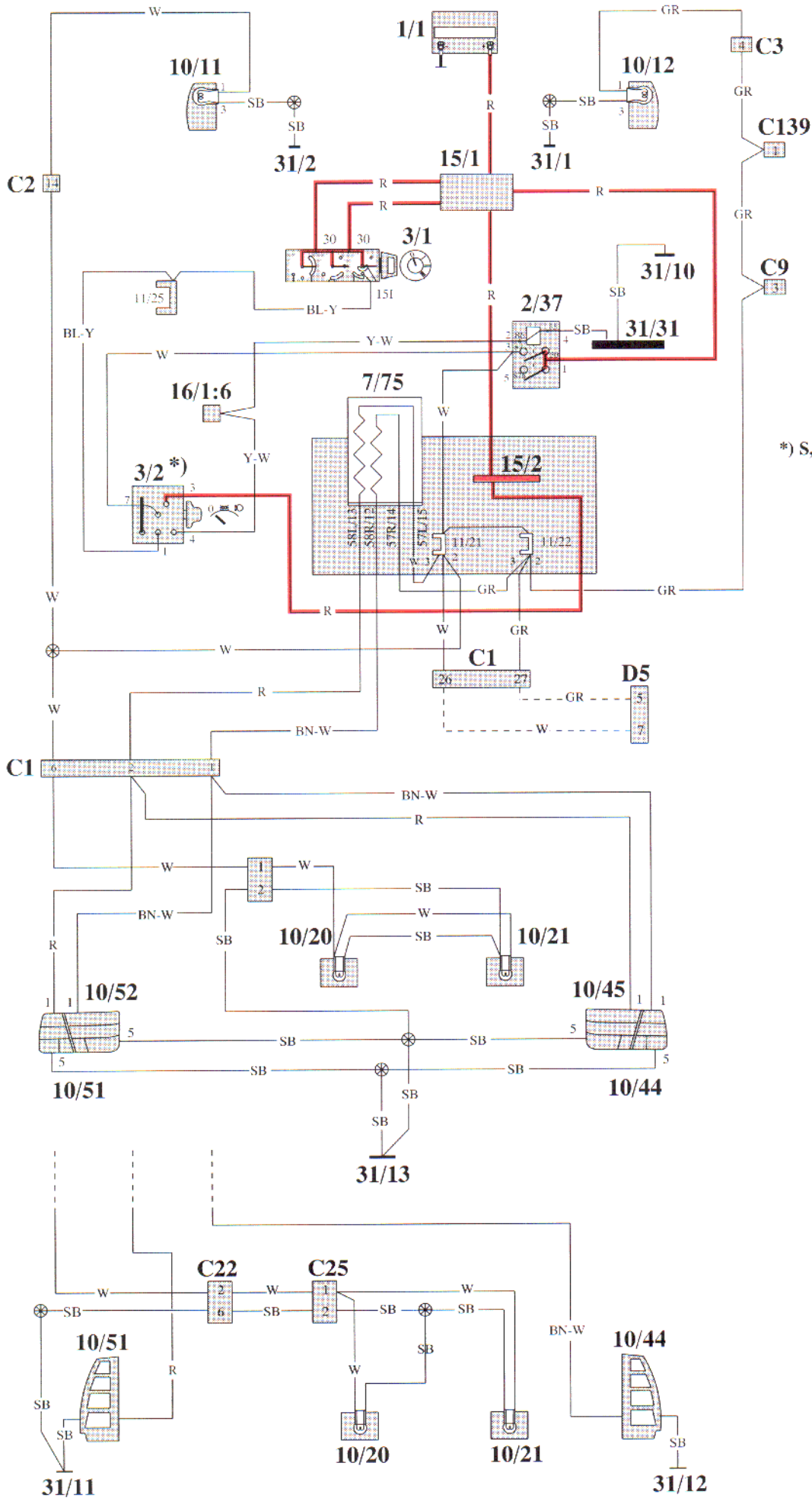
3/59



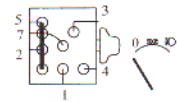
3/2



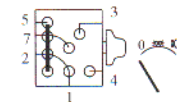
Parking lights, tail lights and number plate lights

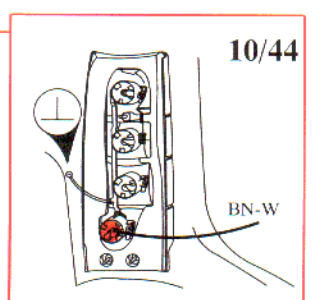
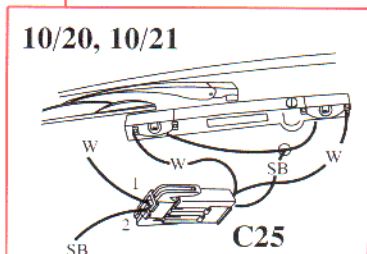
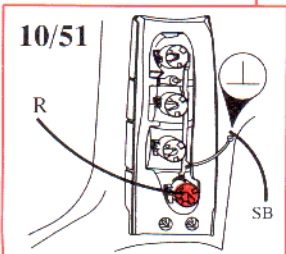
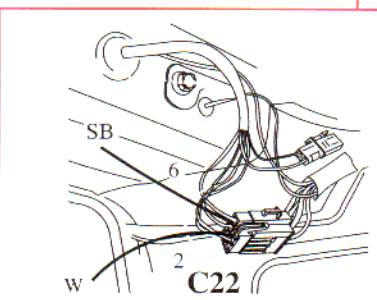
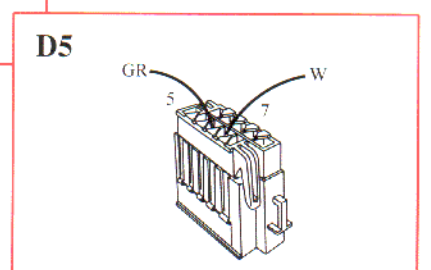
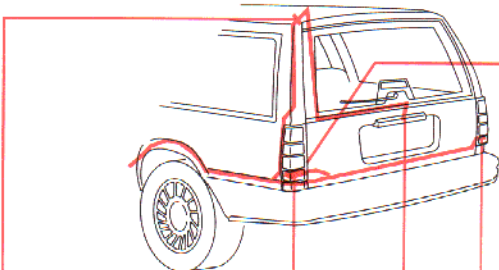
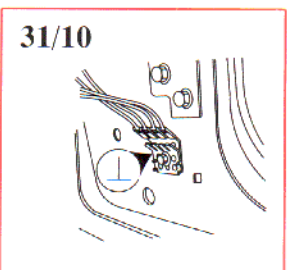
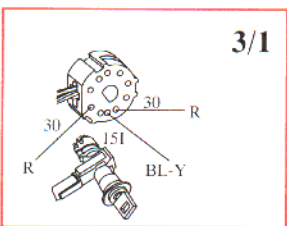
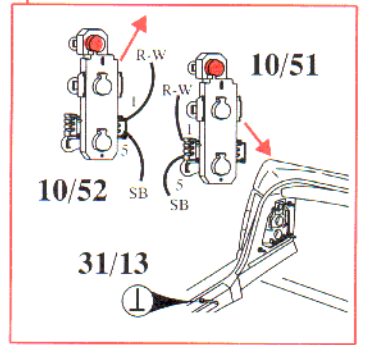
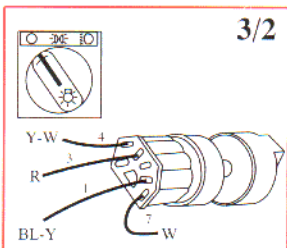
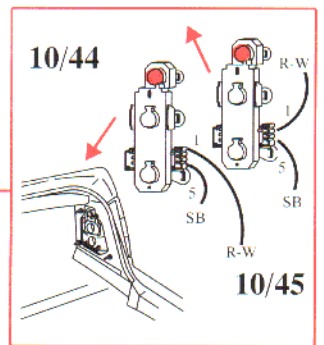
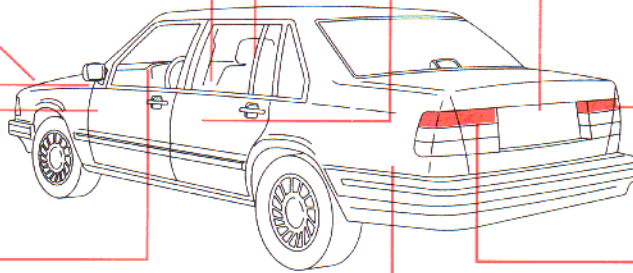
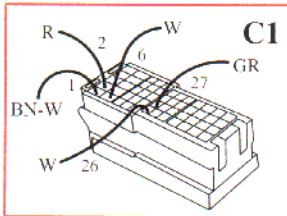
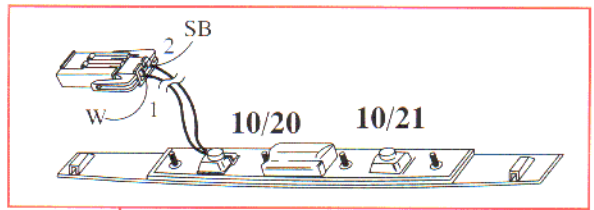
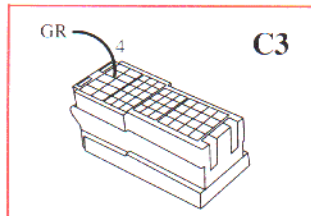
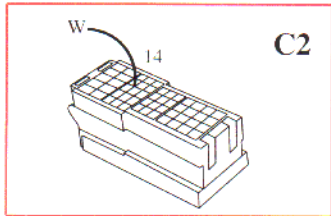
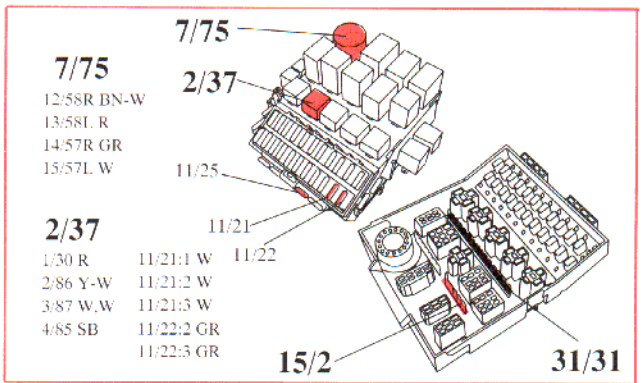
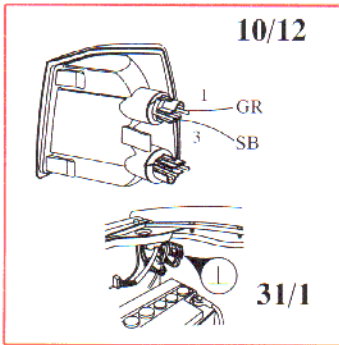
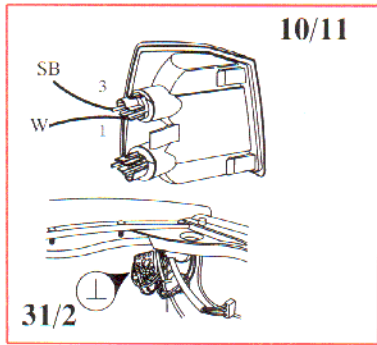


*) S, N, DK, FIN, NL, B:

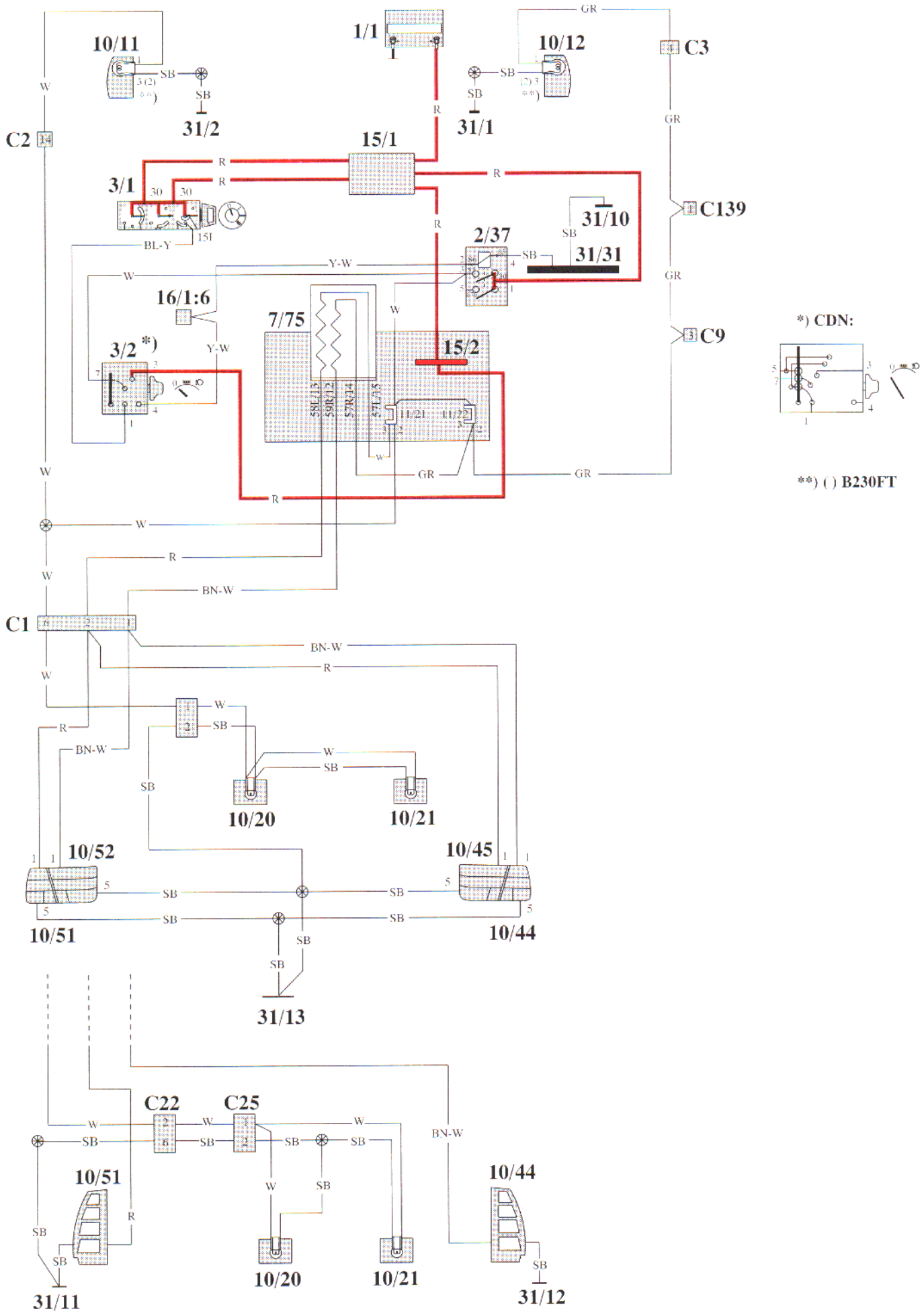


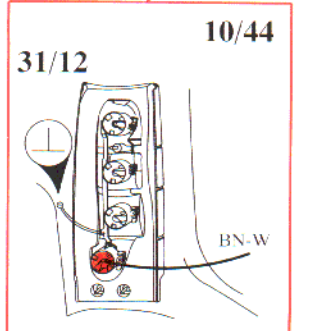
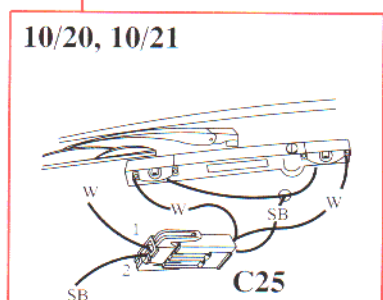
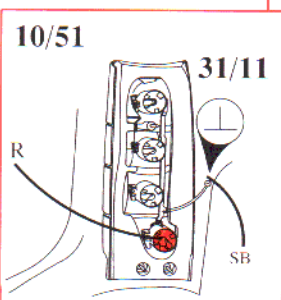
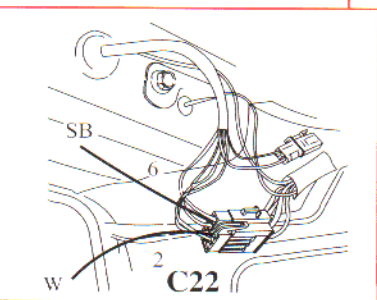
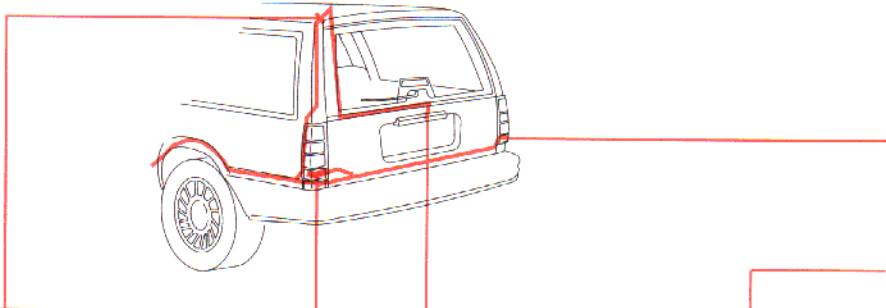
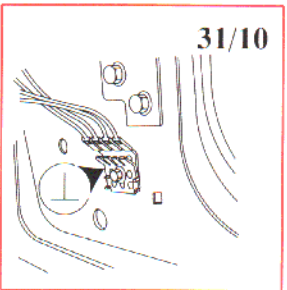
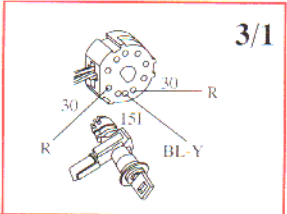
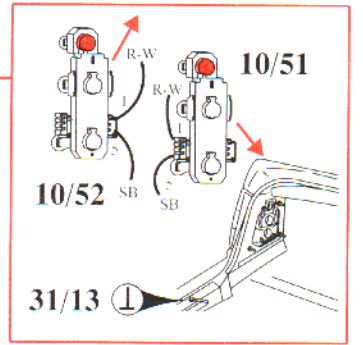
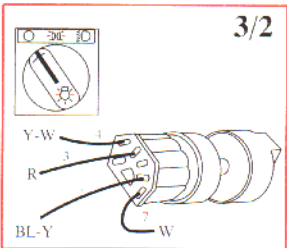
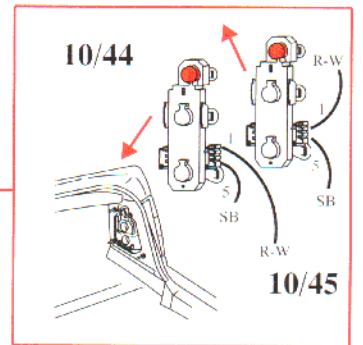
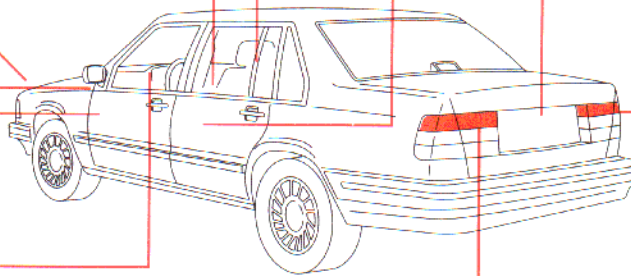
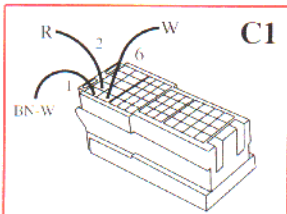
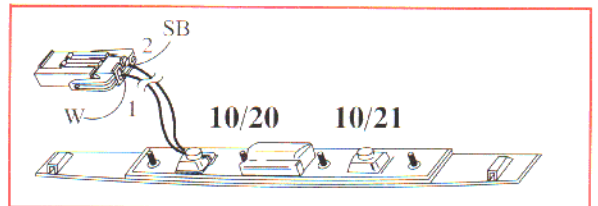
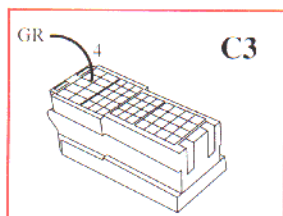
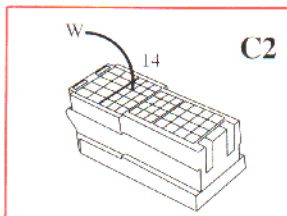
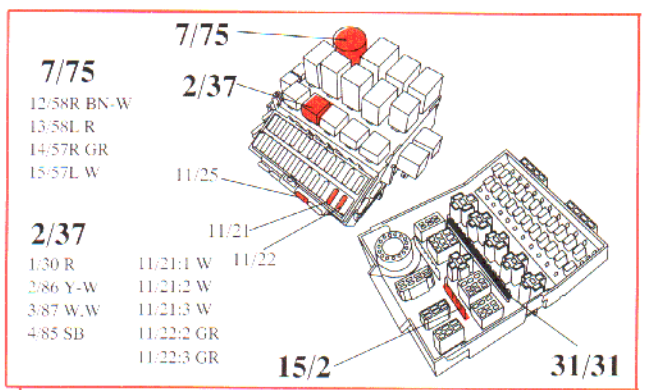
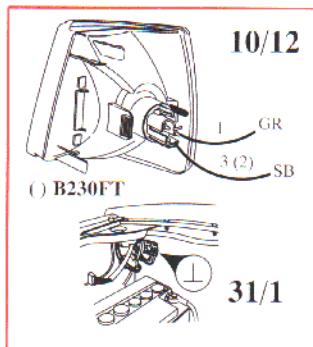
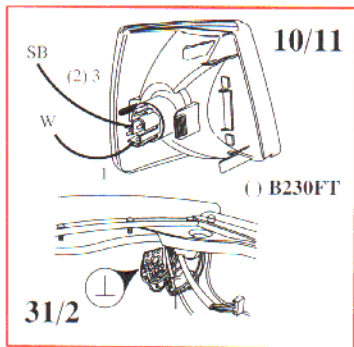
*) GB:



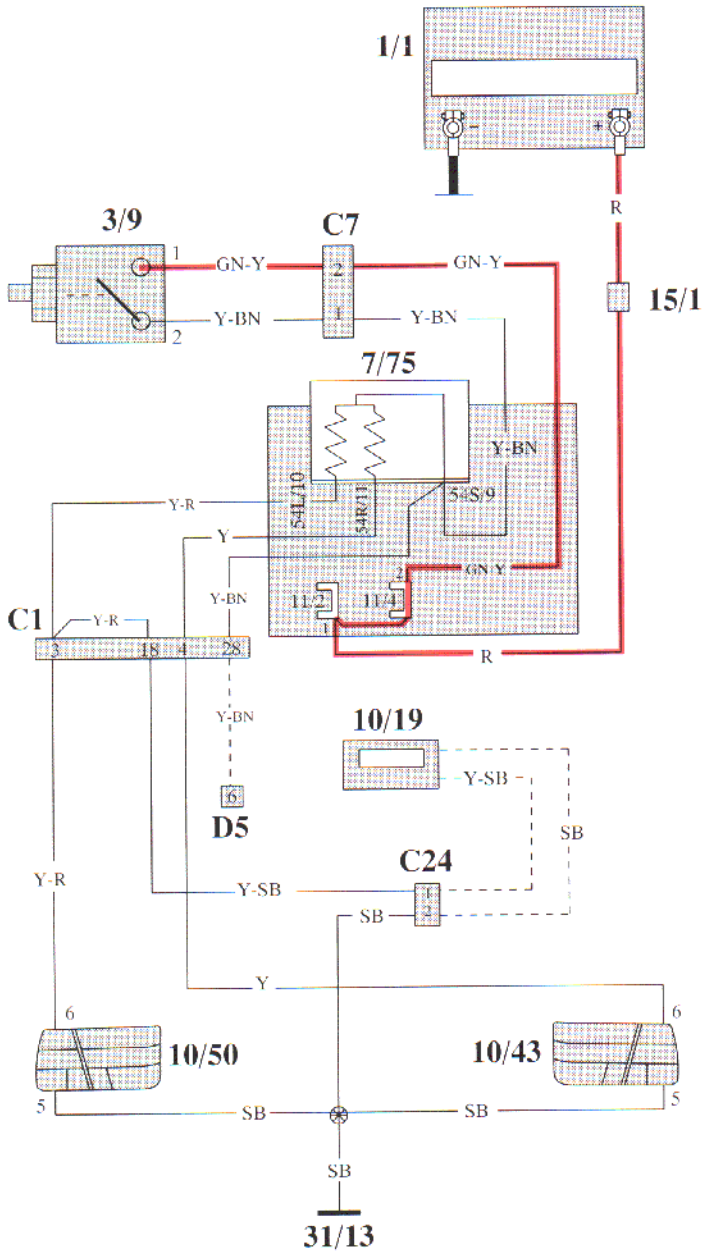


Parking lights, tail lights and number plate lights USA, Canada

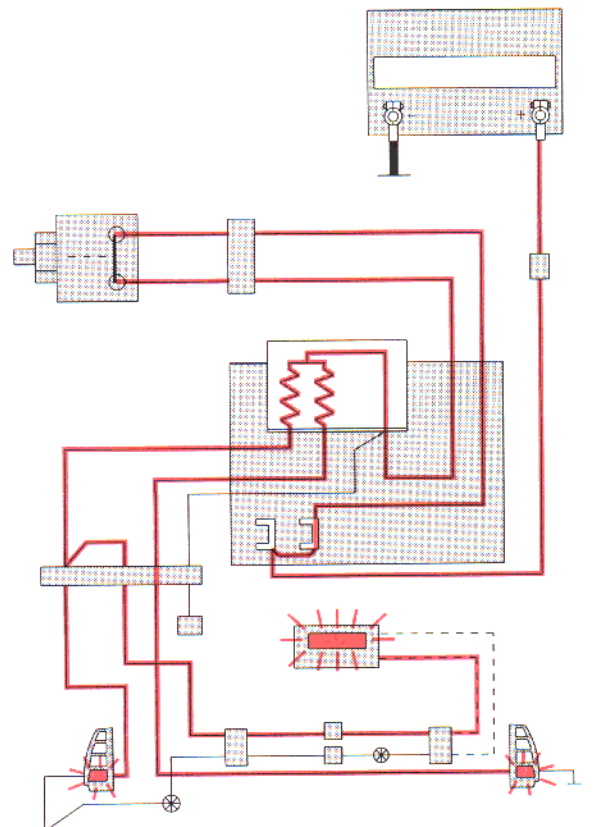


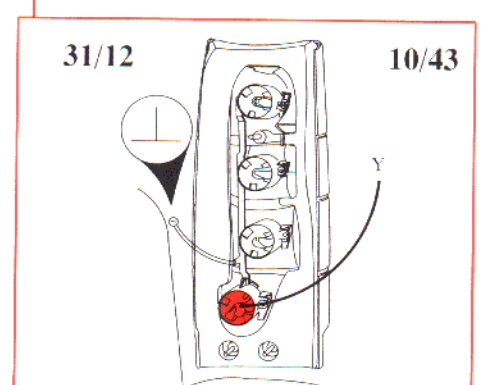
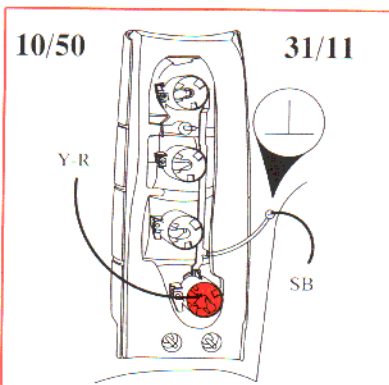
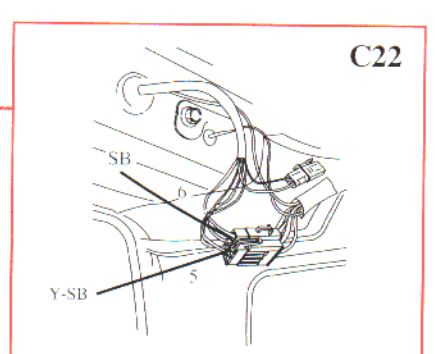
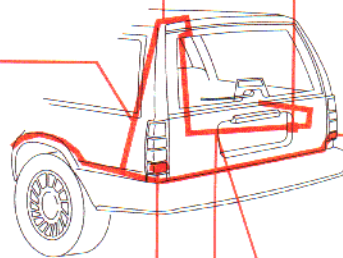
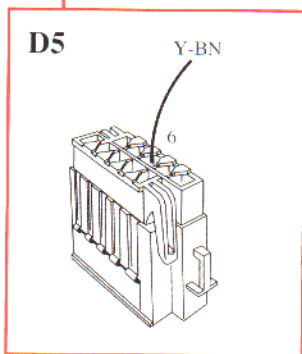
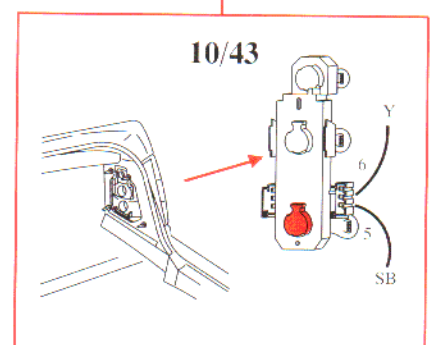
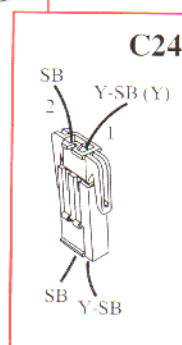
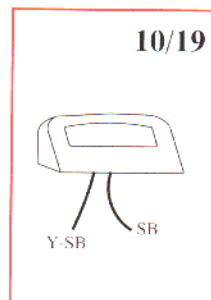
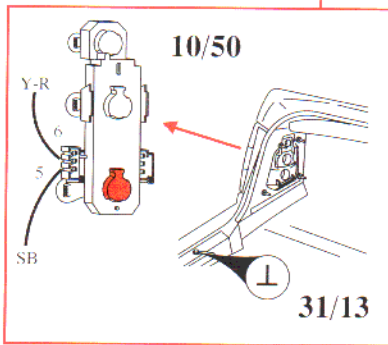
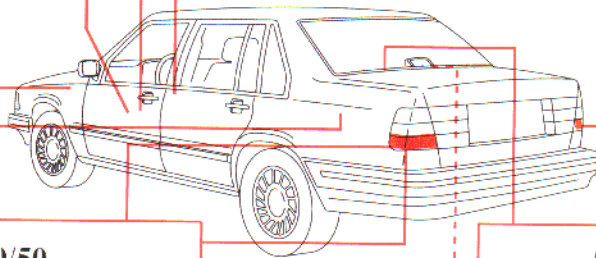
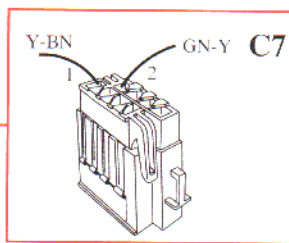
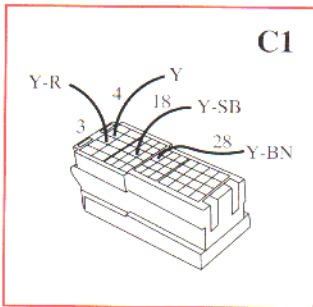
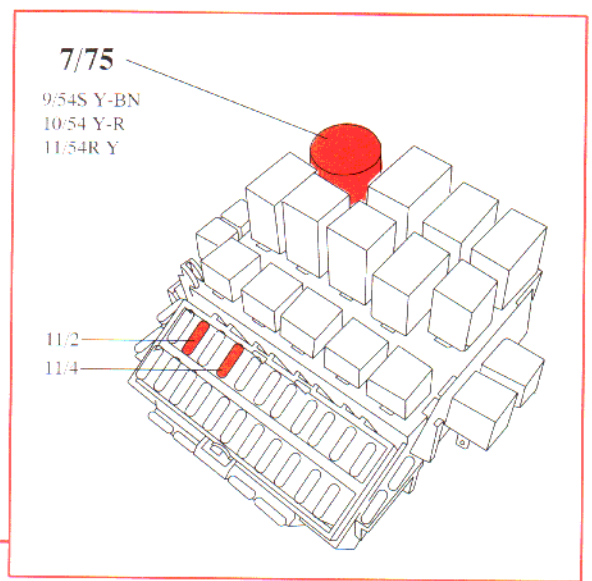
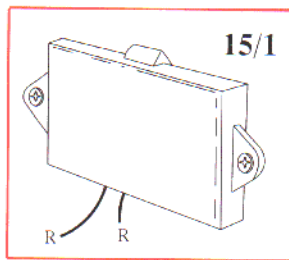
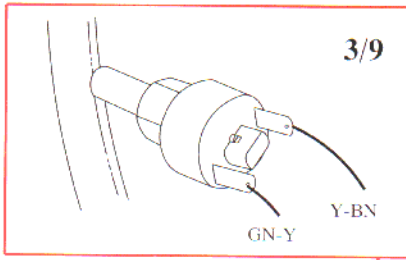


Brake lights



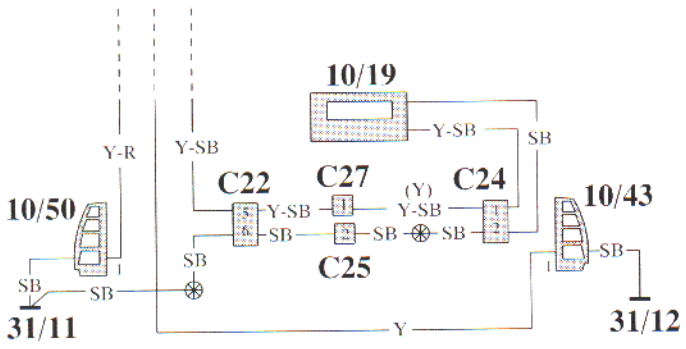
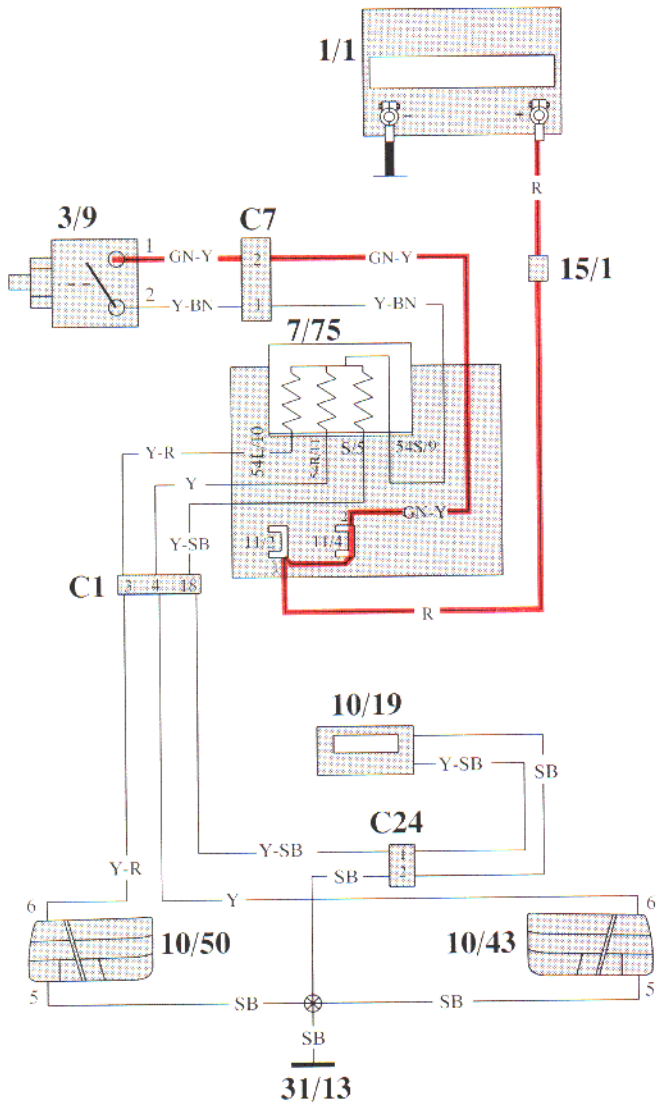
Brake pedal pressed



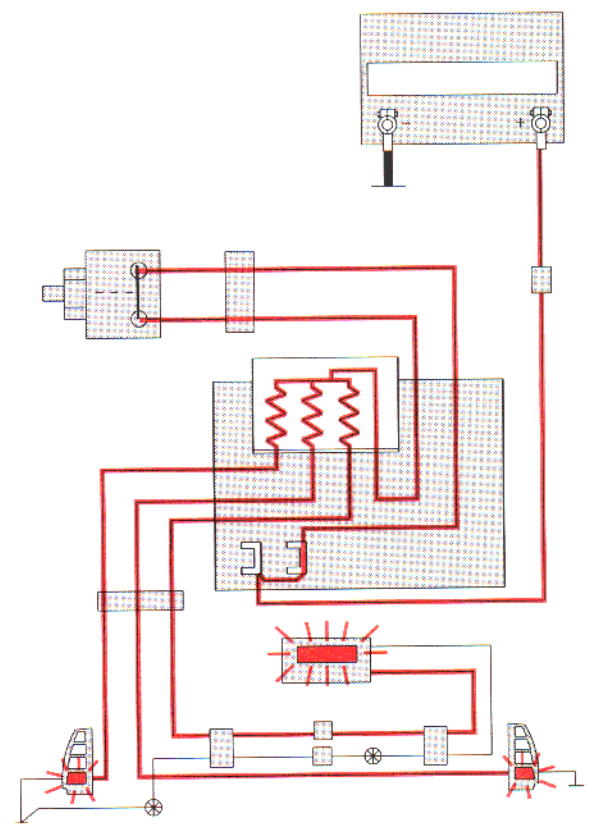


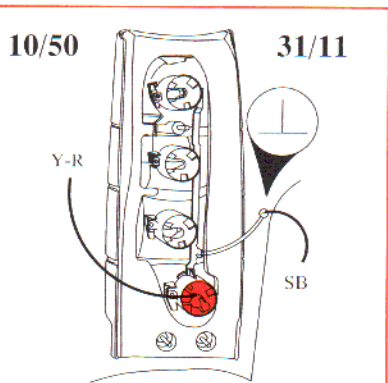
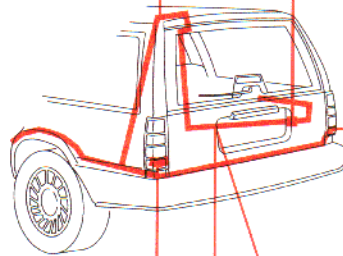
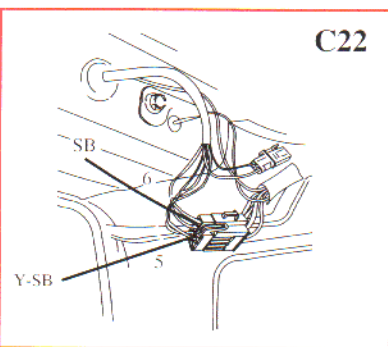
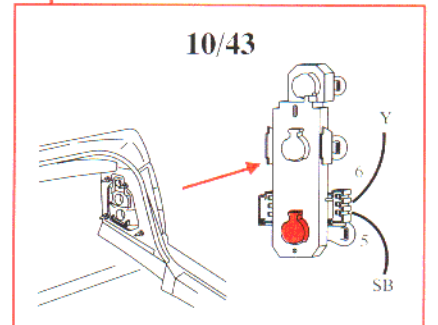
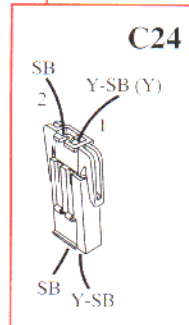
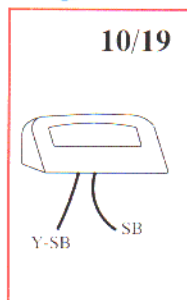
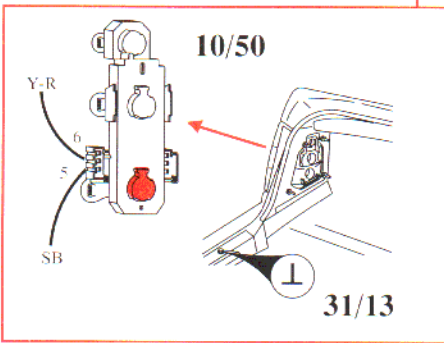
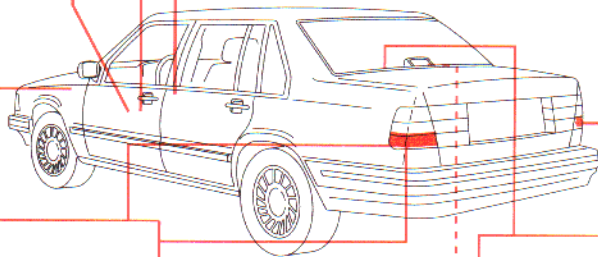
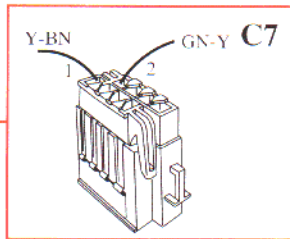
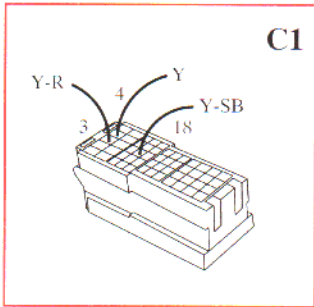
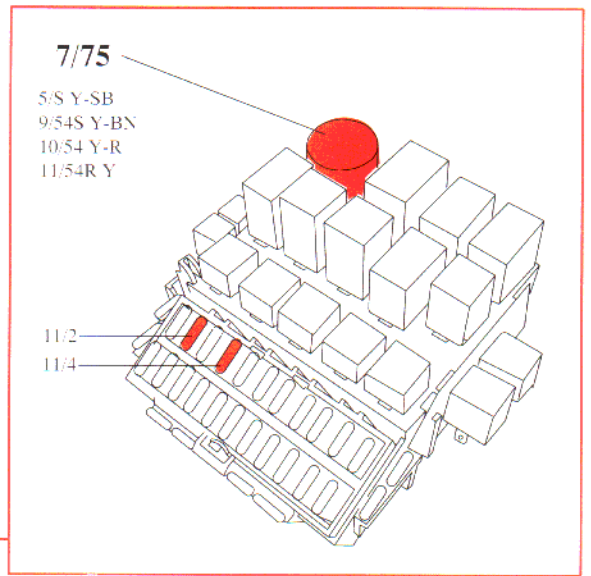
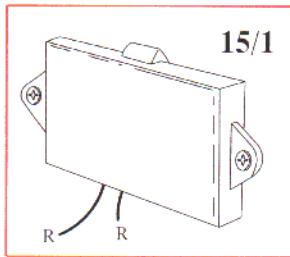
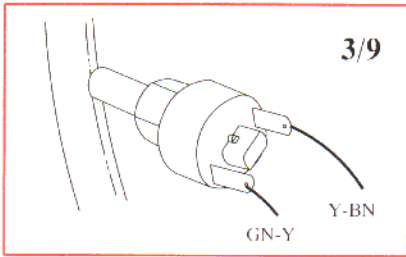
C25 C27

Brake lights, USA, Canada

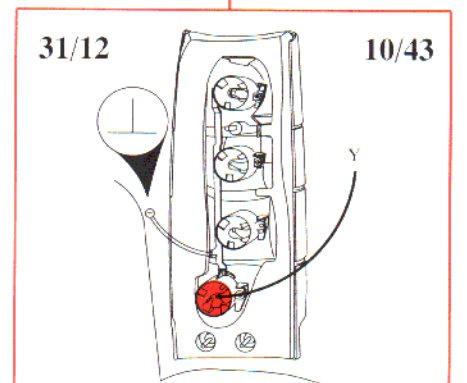


Brake pedal pressed

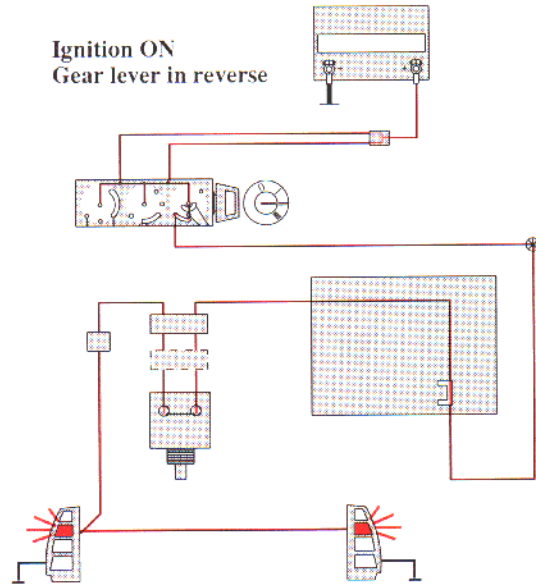
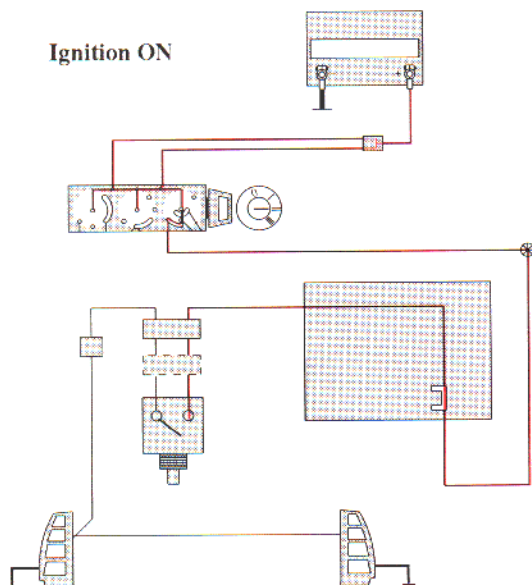
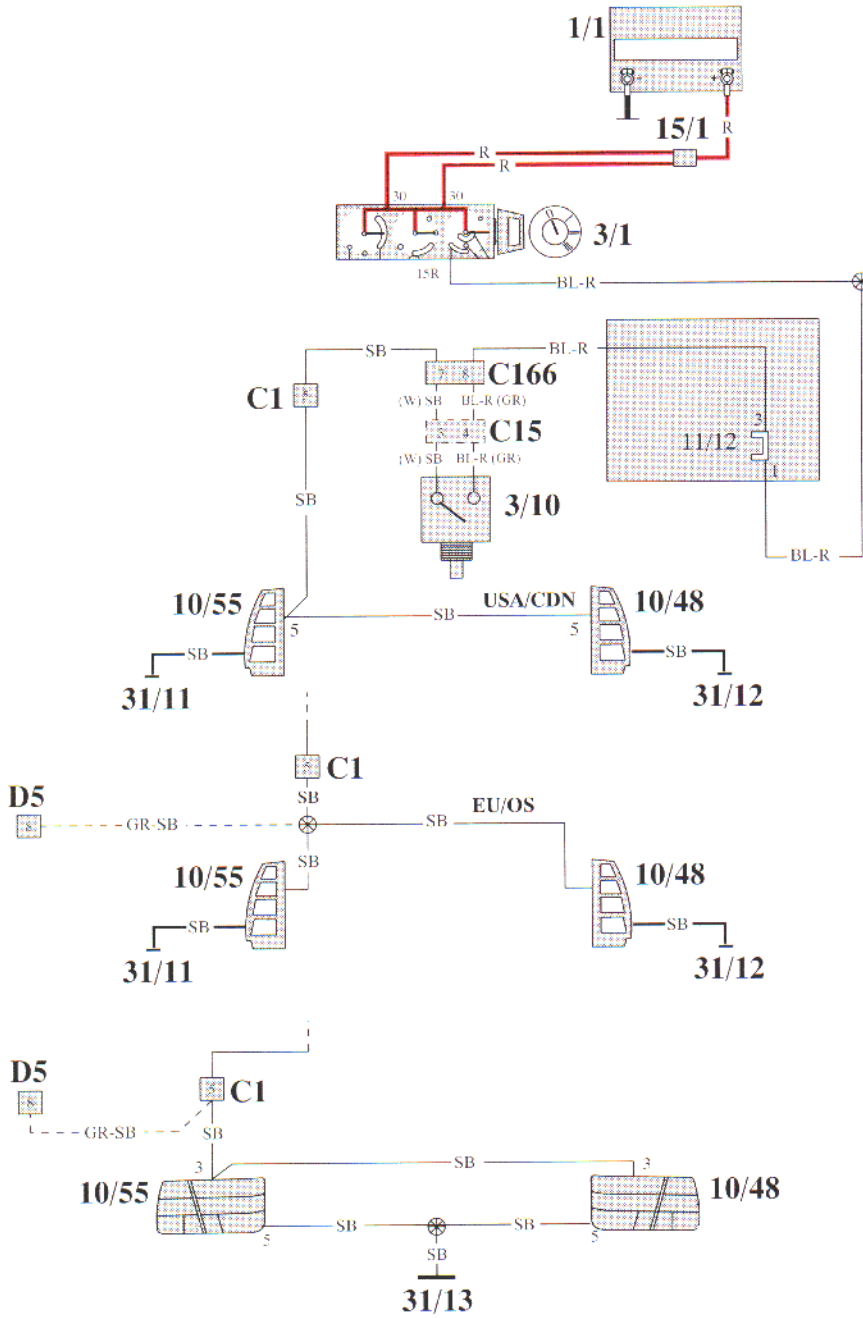


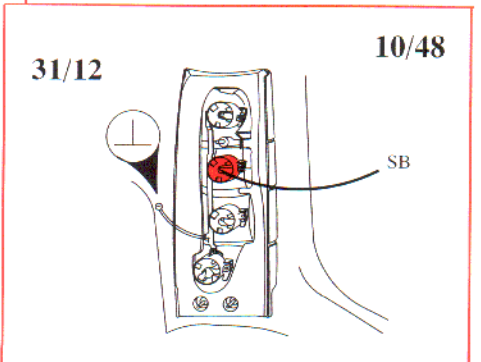
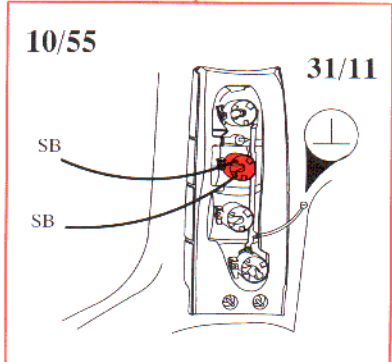
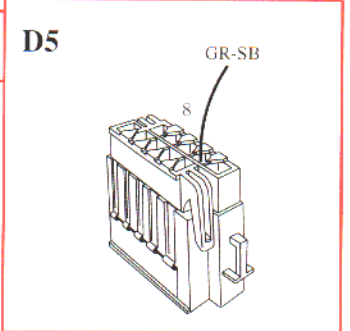
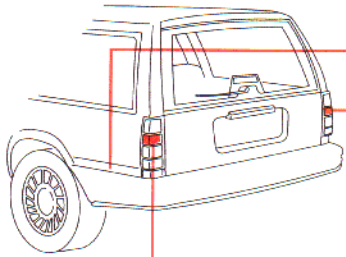
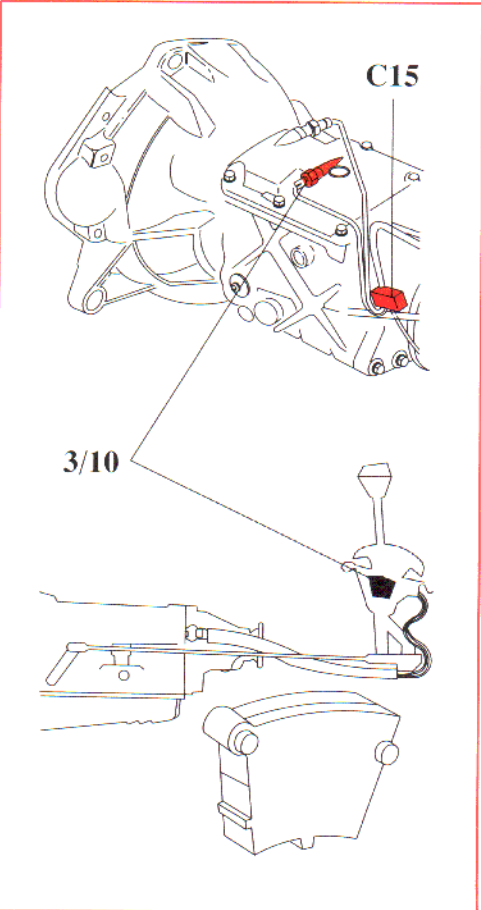
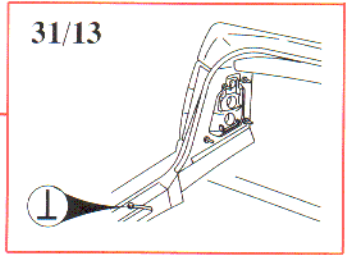
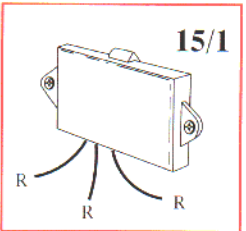
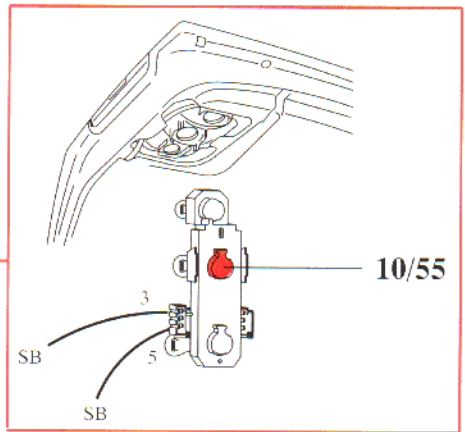
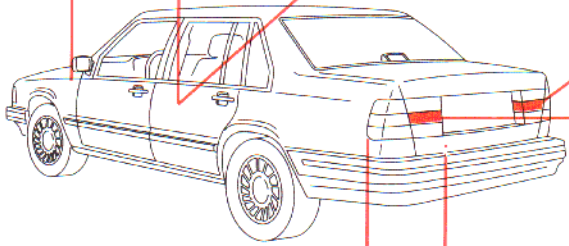
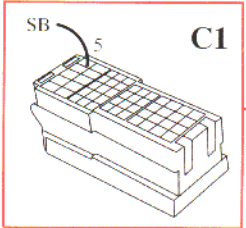
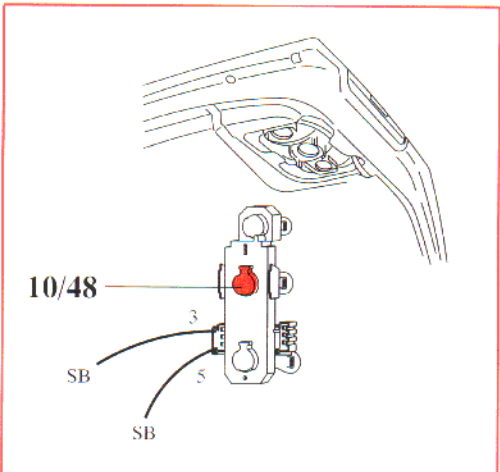
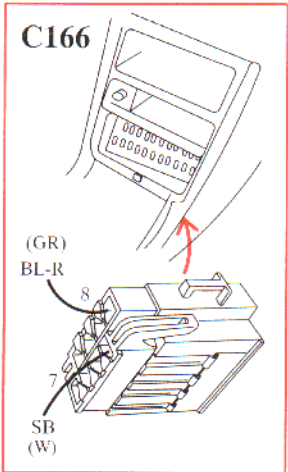
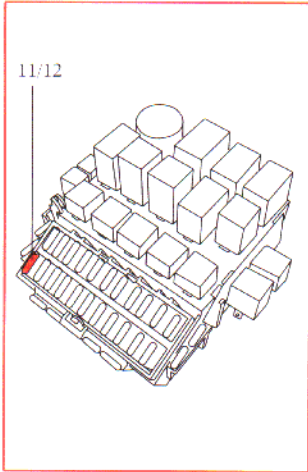
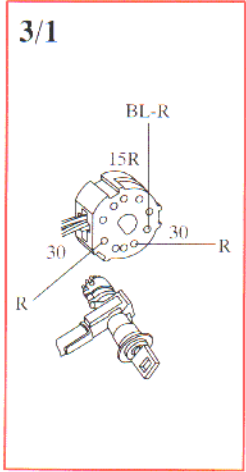


C25 C27



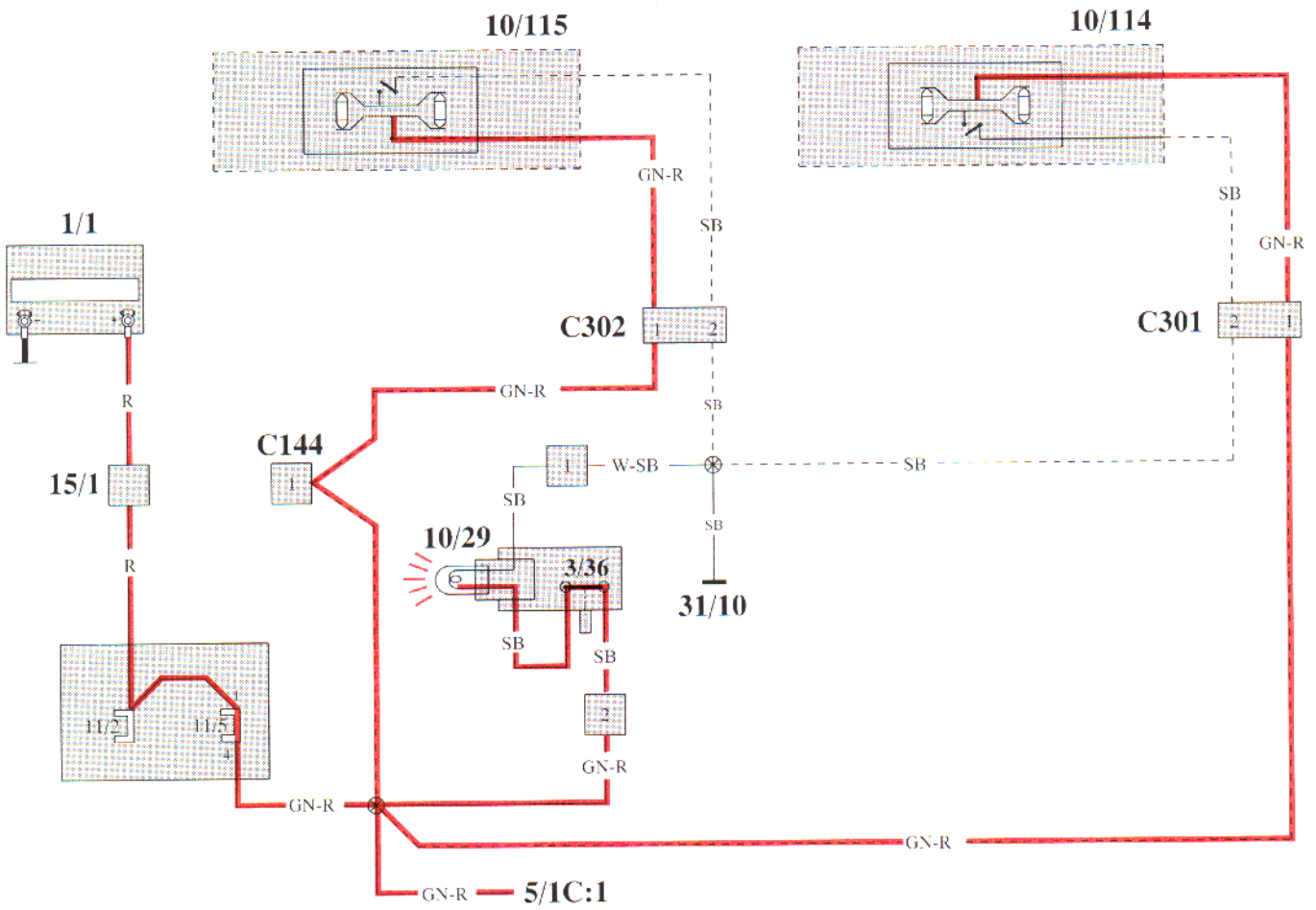
Back-up (reversing) lights



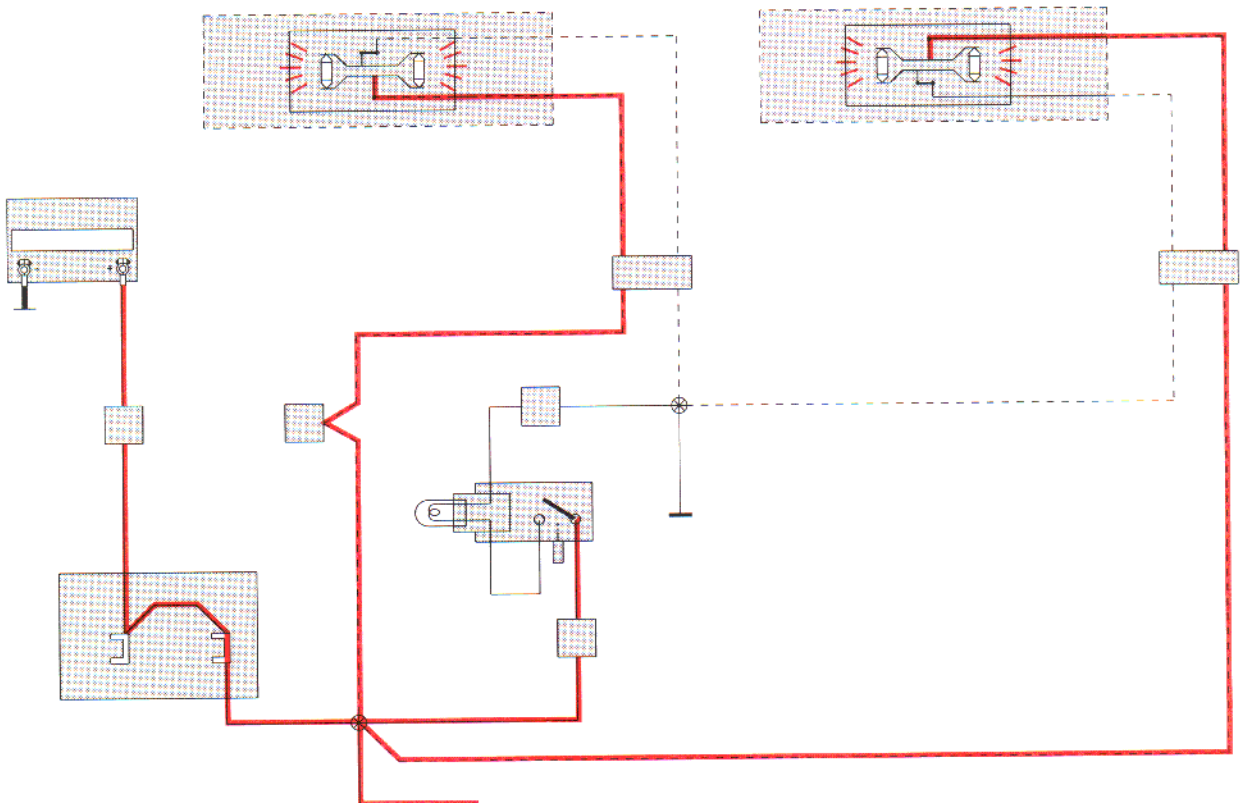


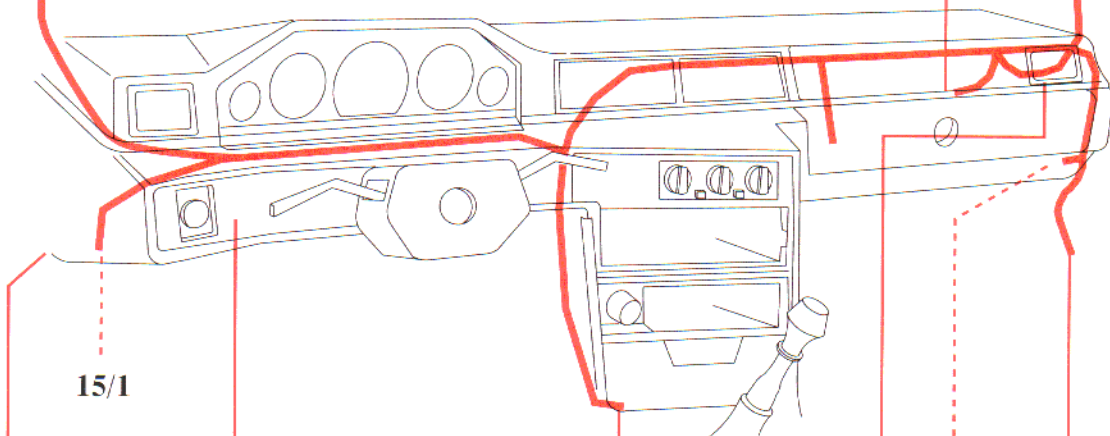
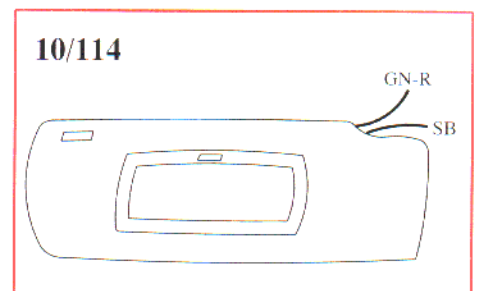
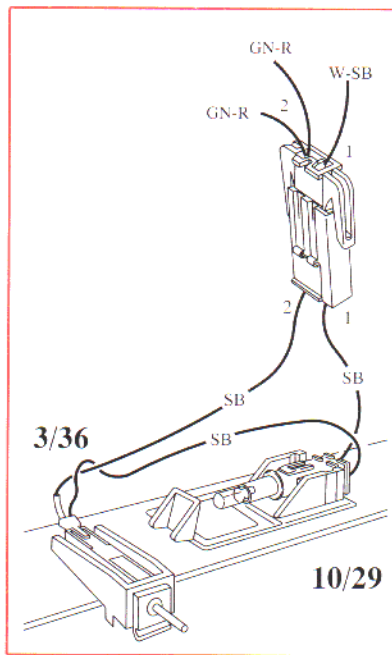
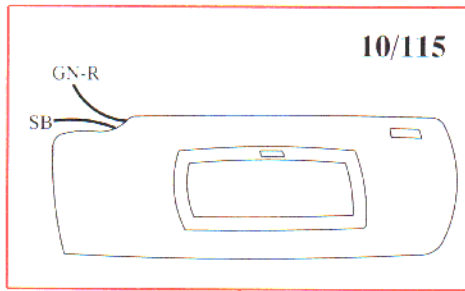
Glove compartment and vanity mirror lighting

Glove compartment open

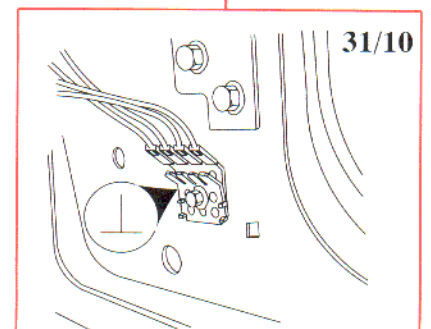
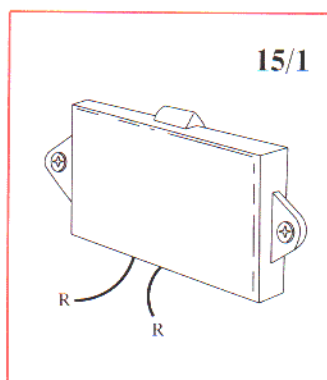
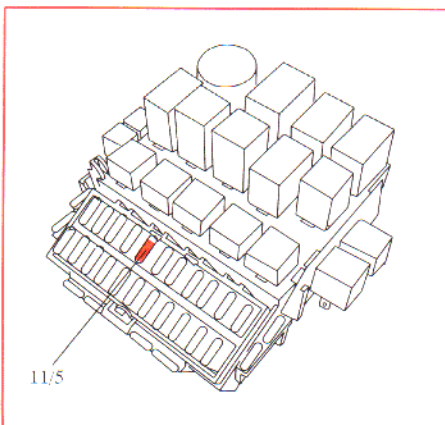
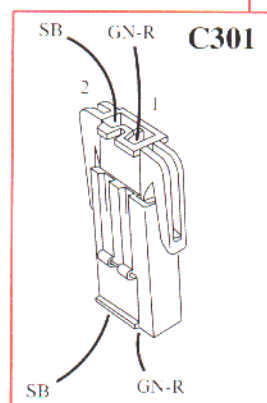
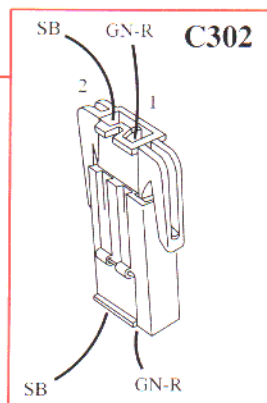
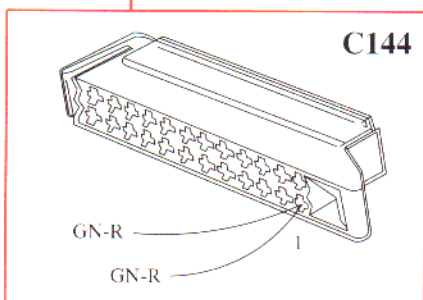


Vanity mirror light on



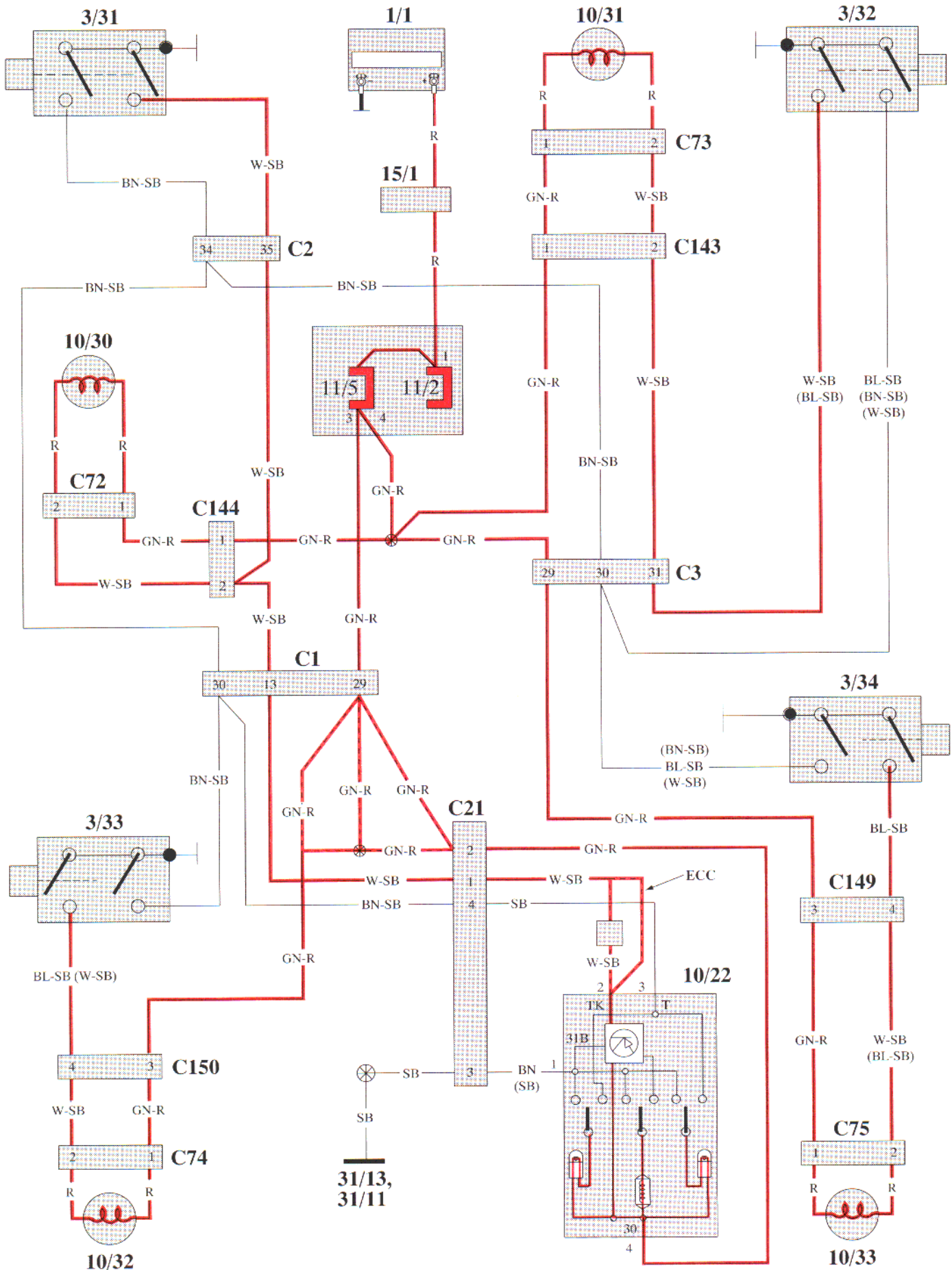


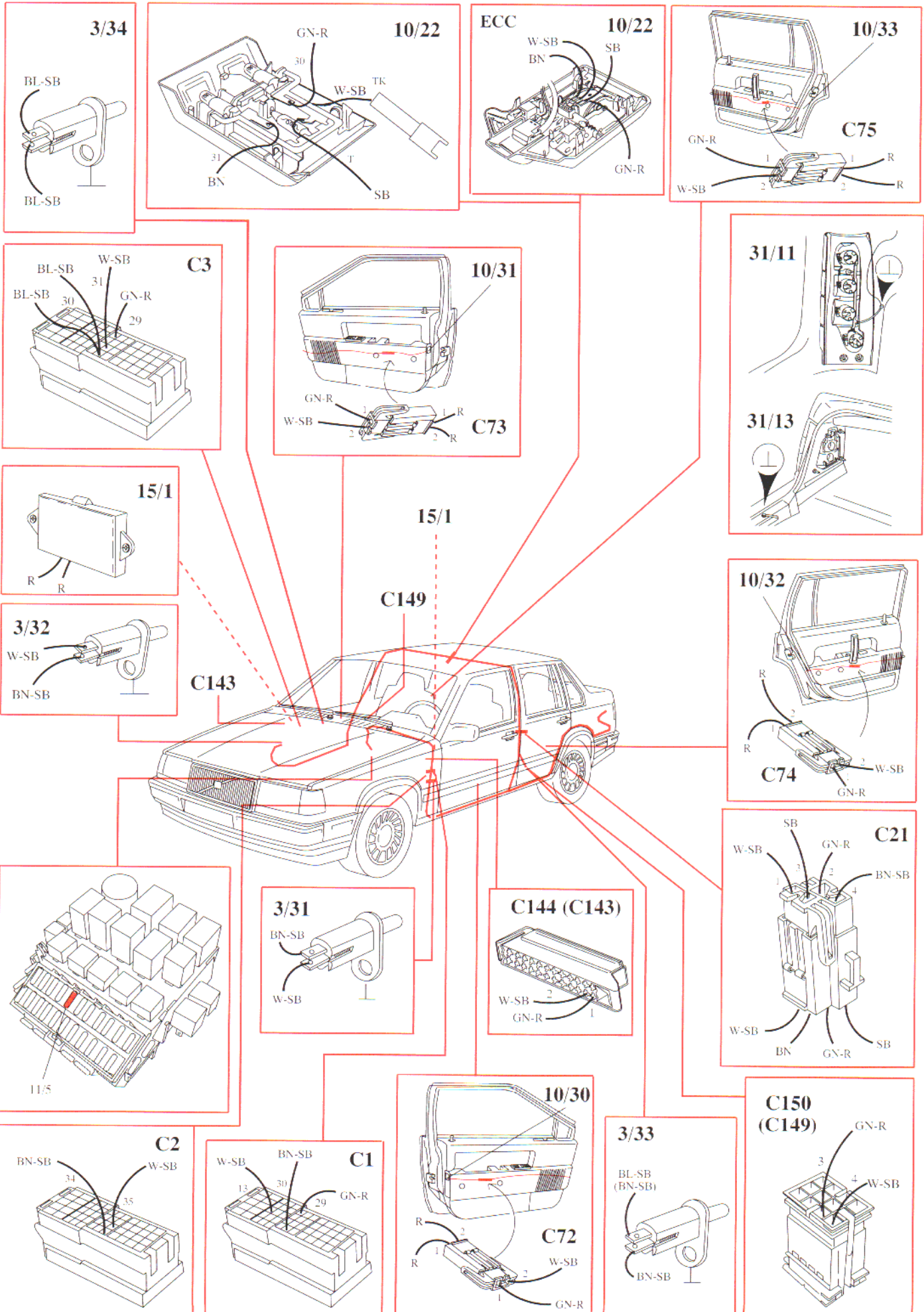
15/1



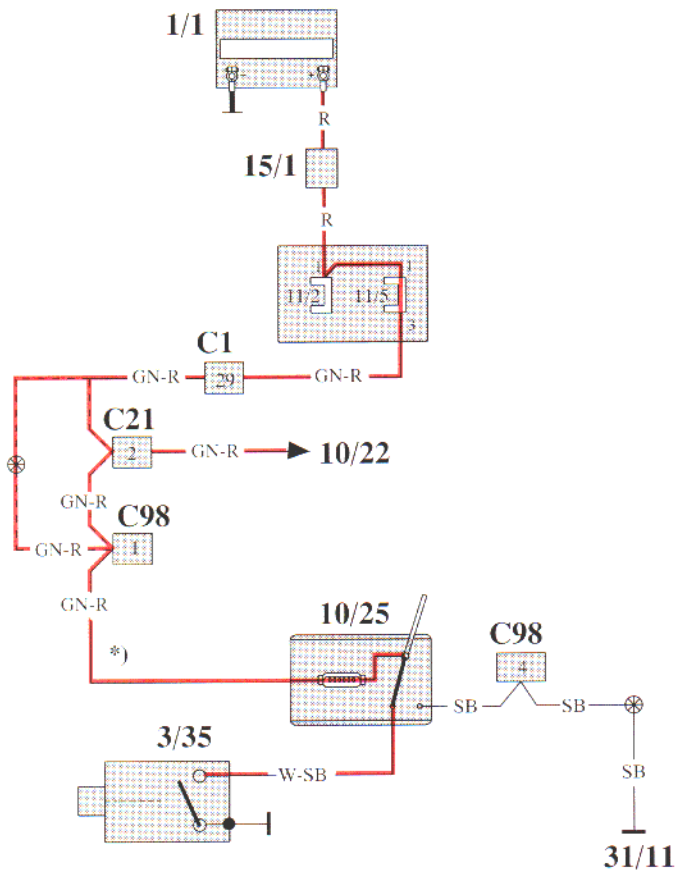
Interior lighting

Doors shut, all lights off



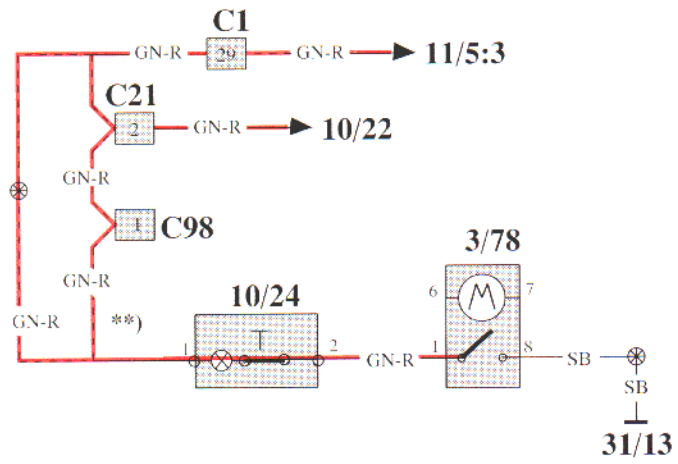


Trunk light

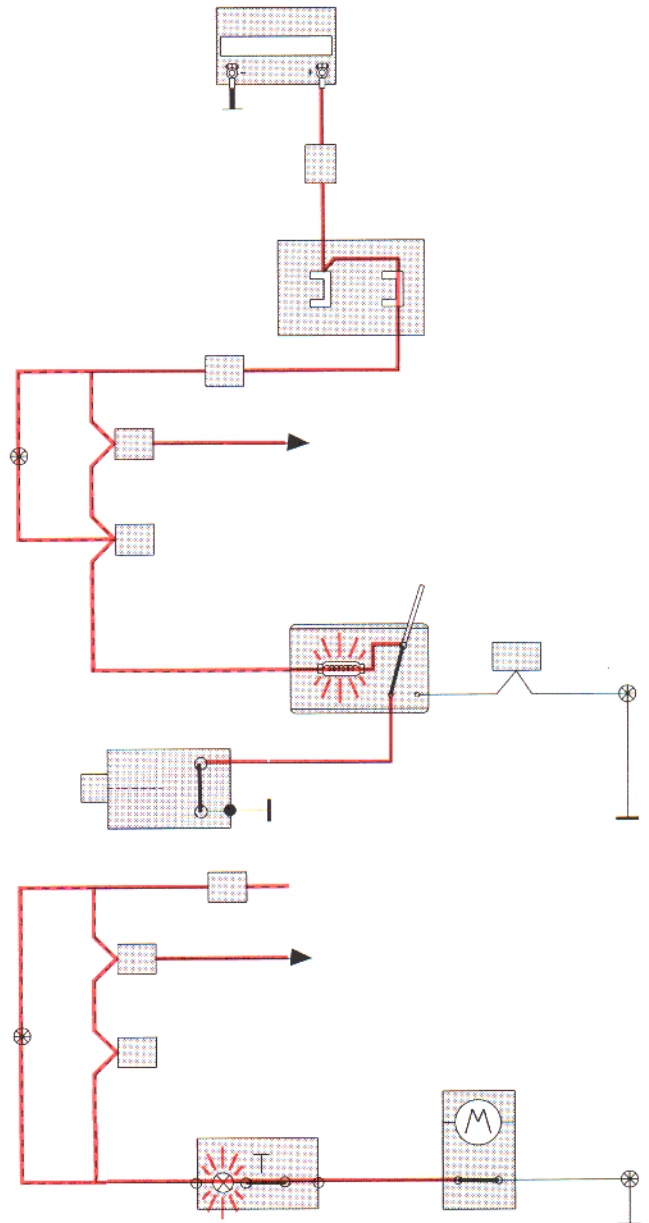


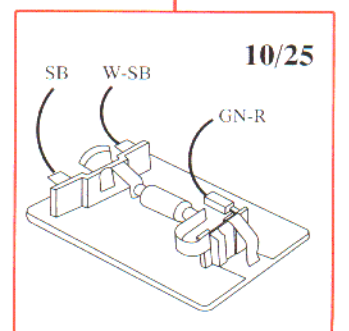
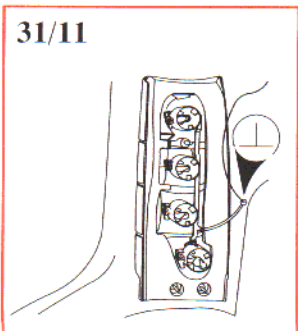
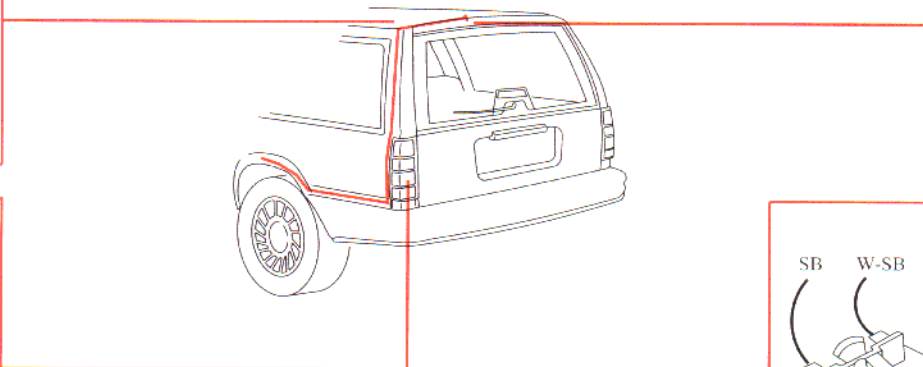
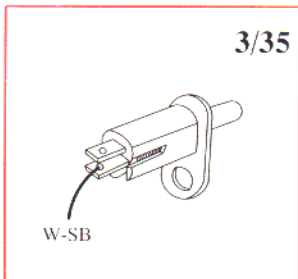
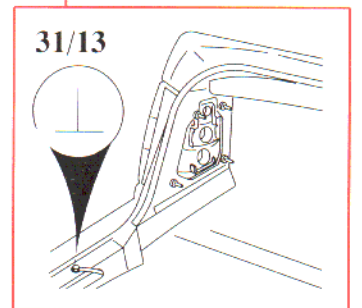
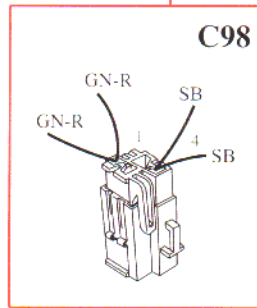
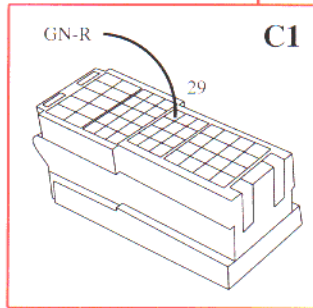
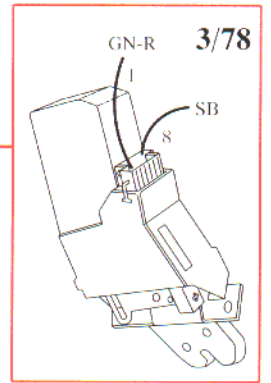
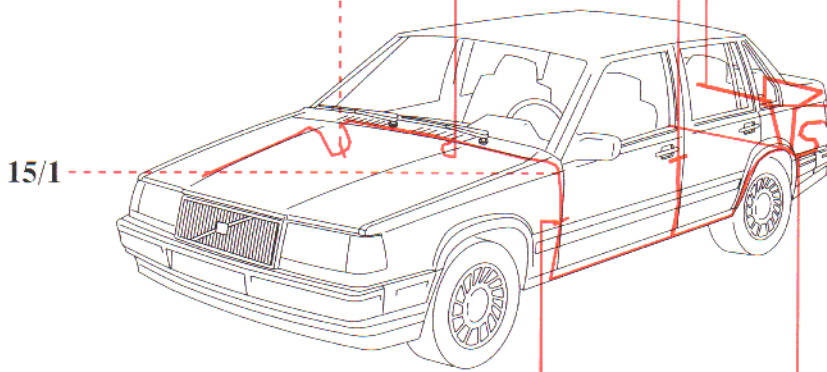
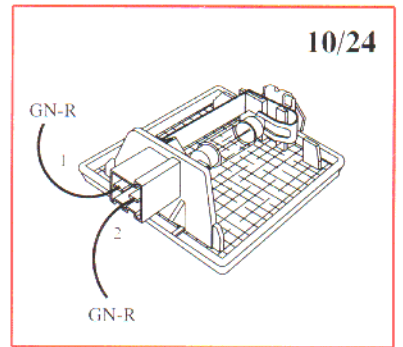
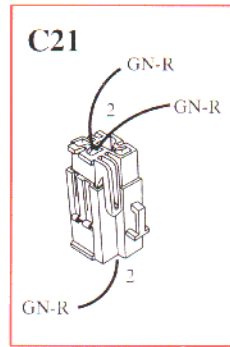
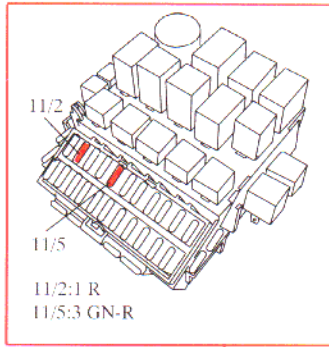
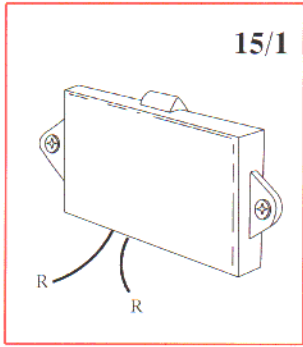
Trunk lid shut
all lights off

*) 5-door
**) 4-door

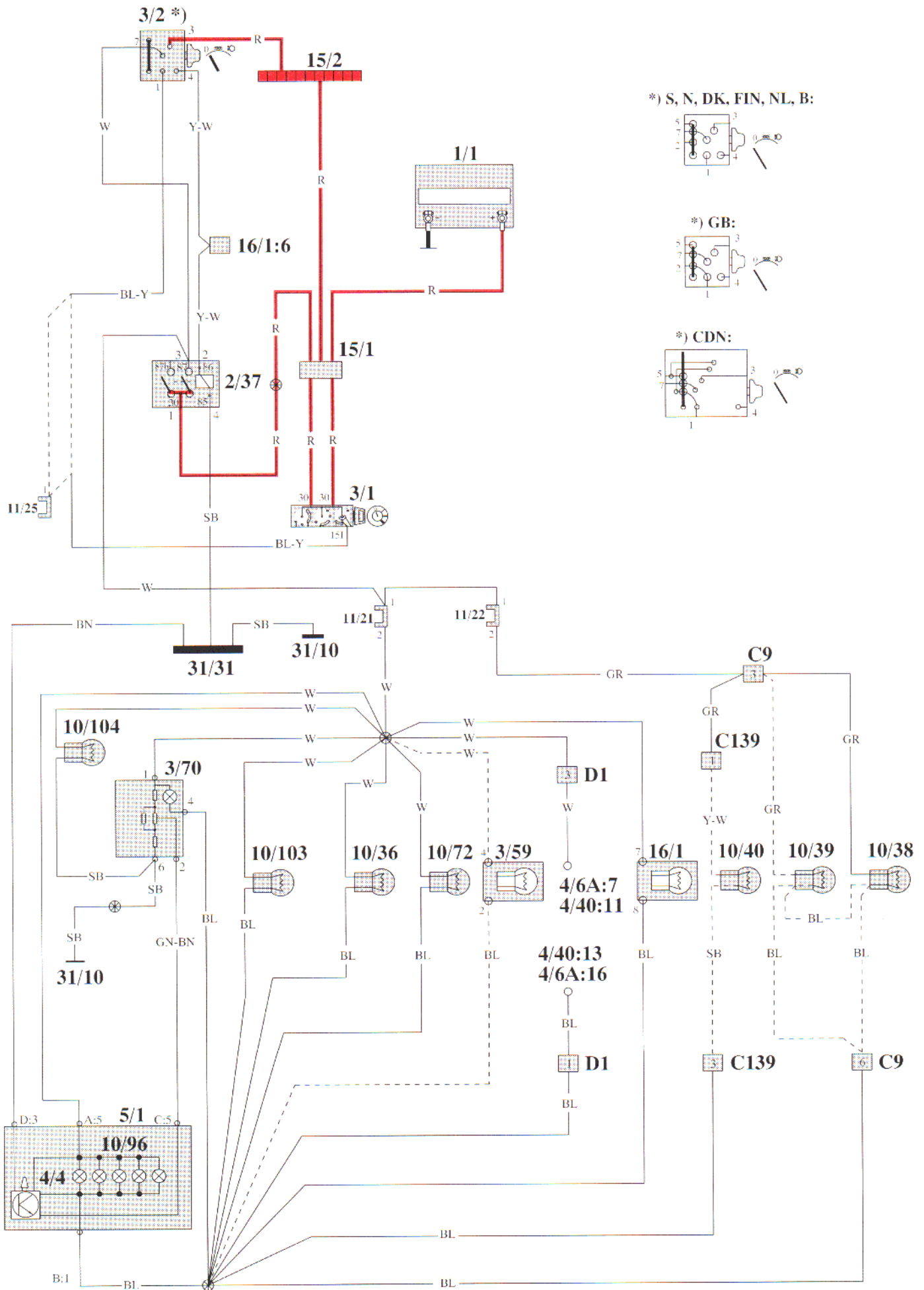


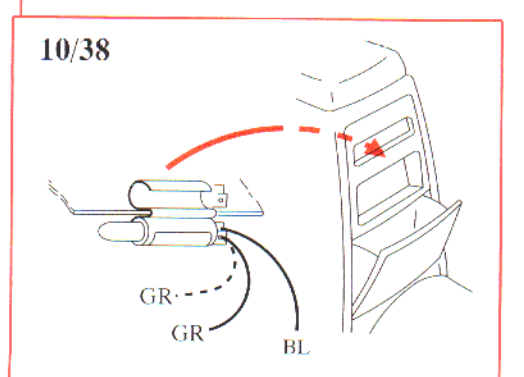
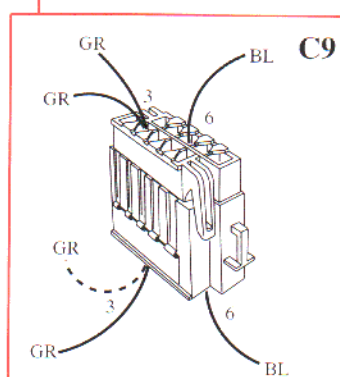
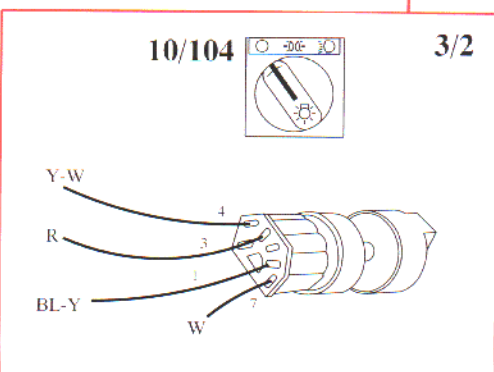
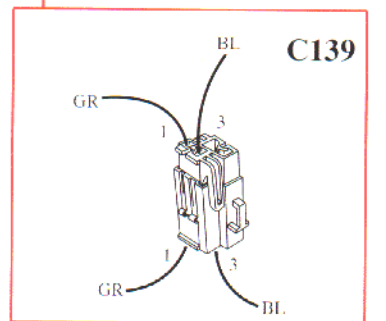
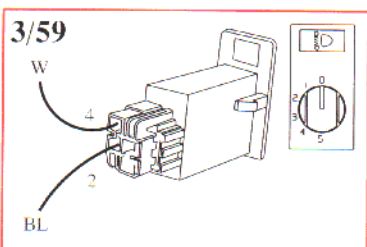
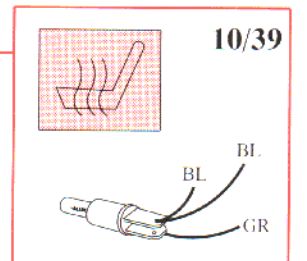
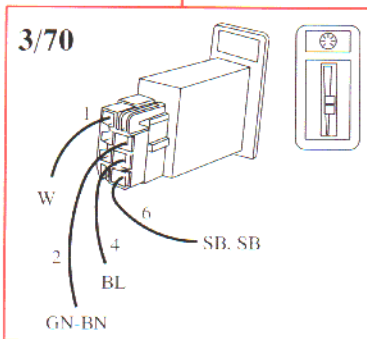
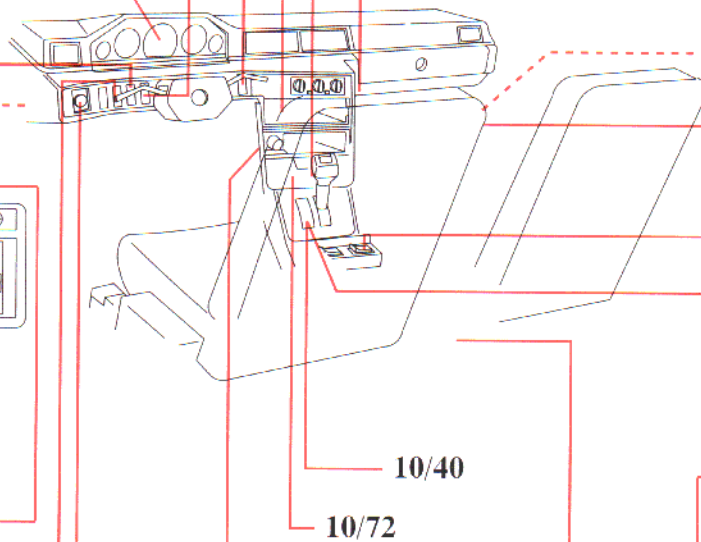
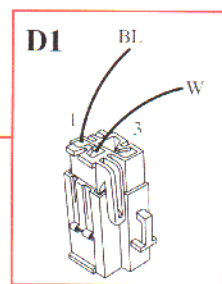
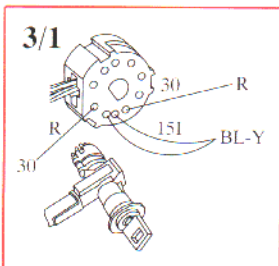
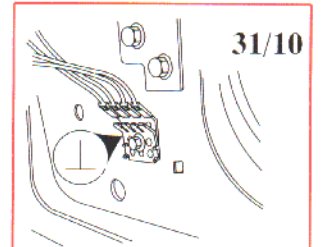
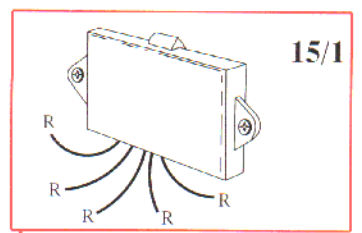
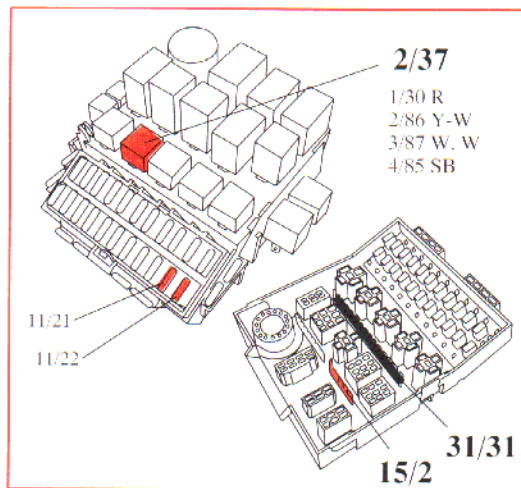
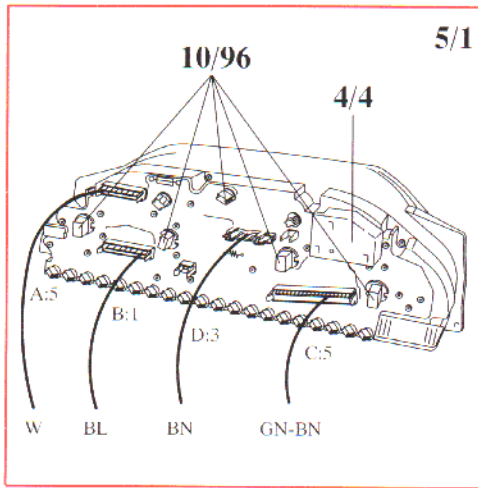
Trunk open





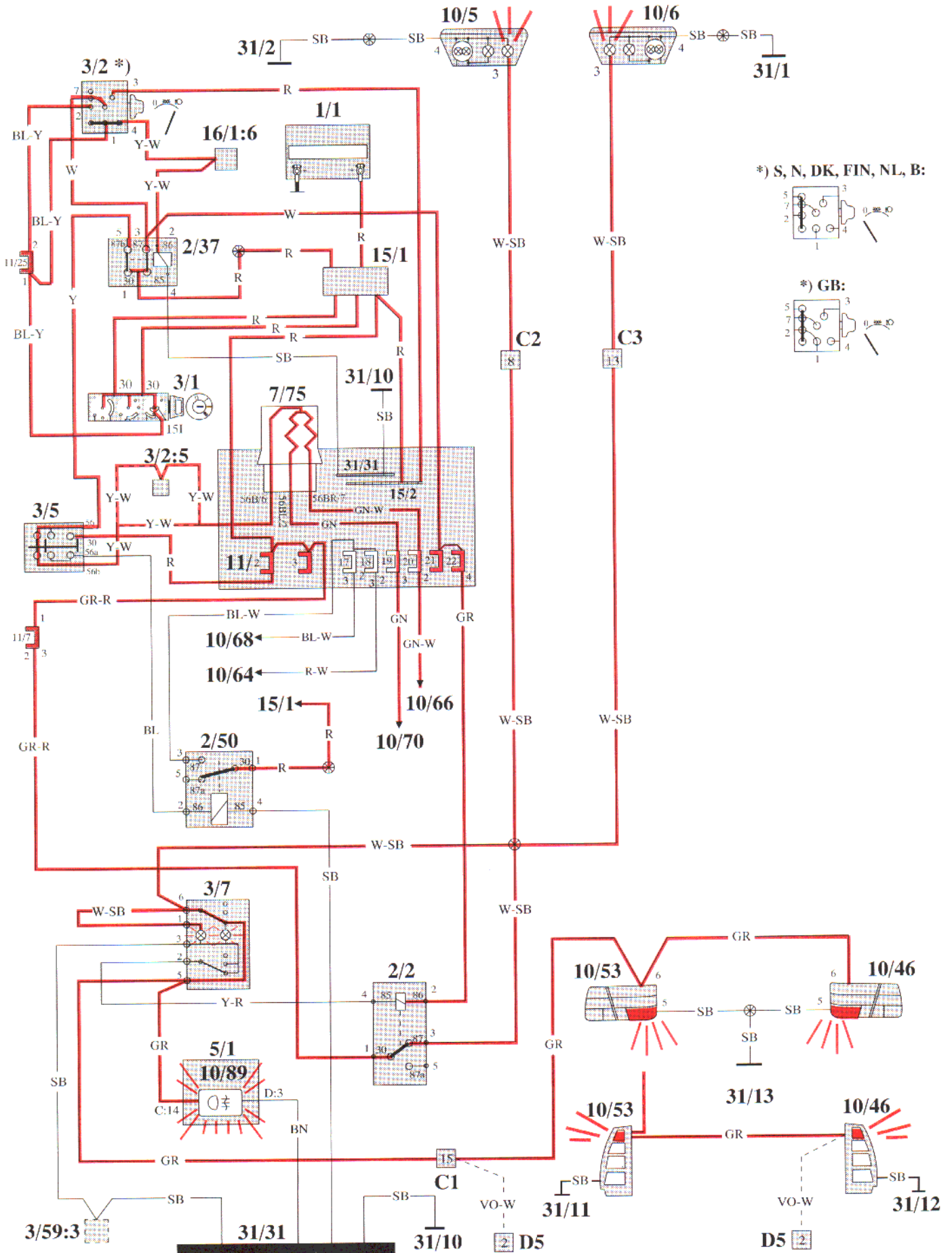
Instrument and control panel lights

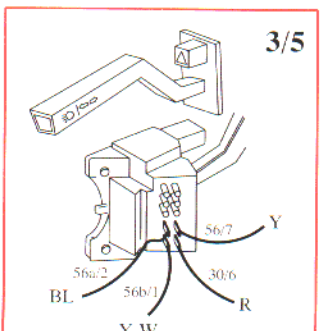
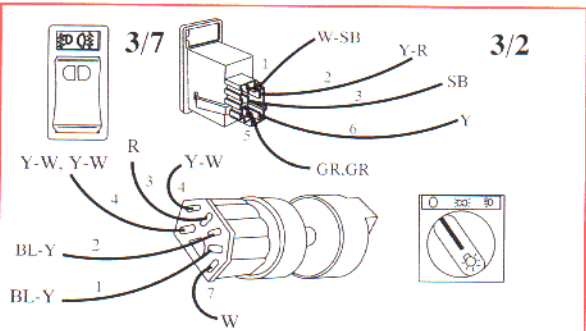
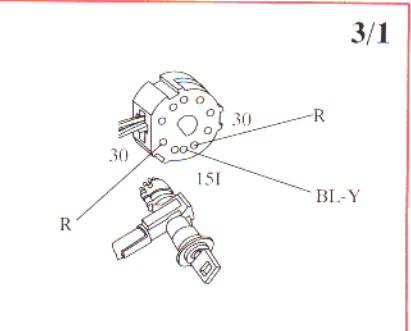
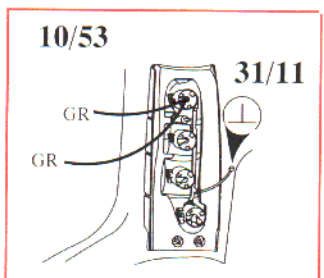
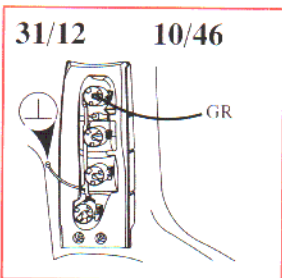
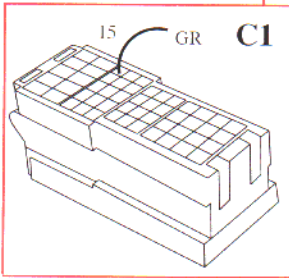
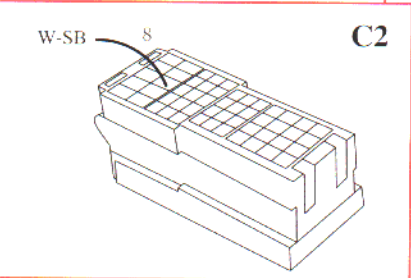
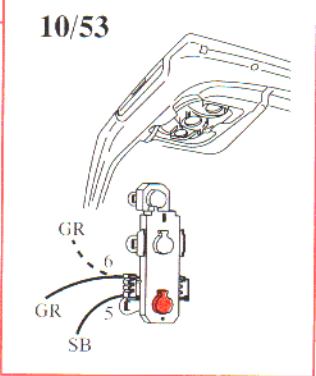
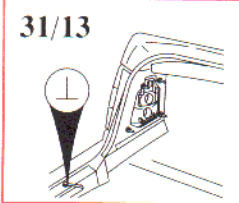
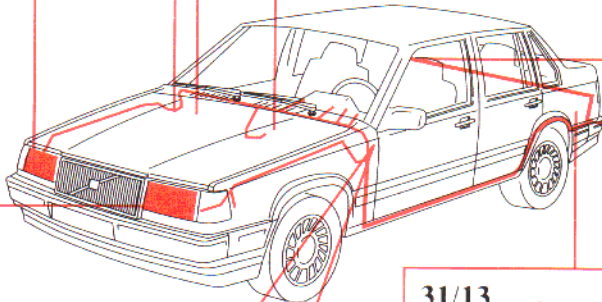
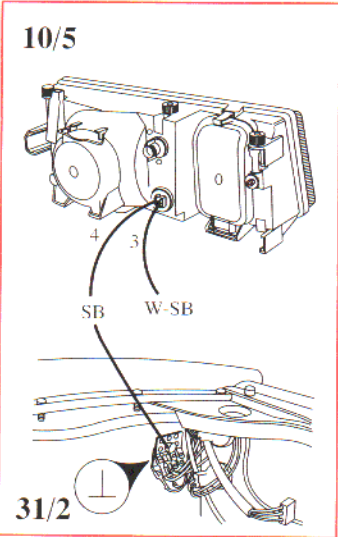
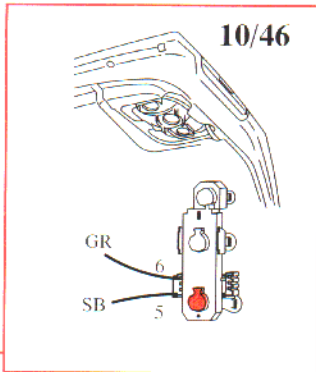
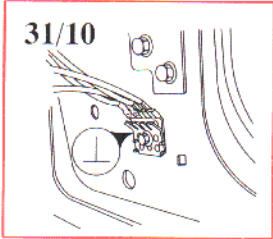
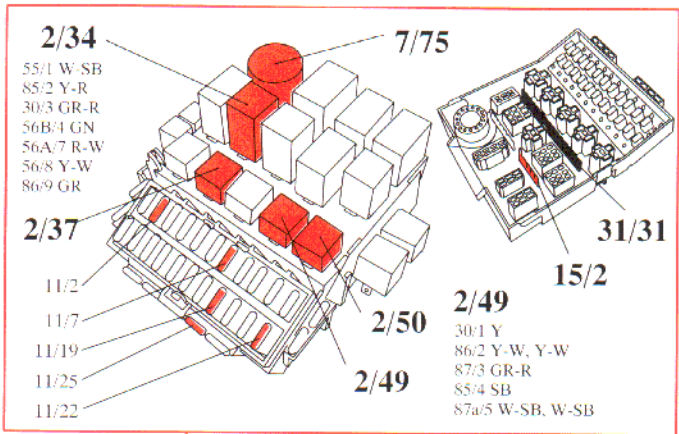
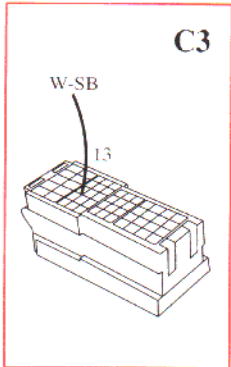
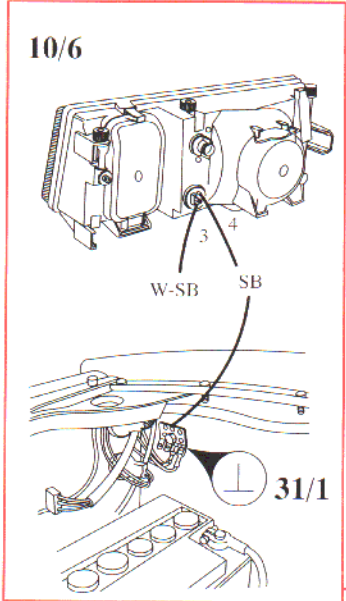




Foglights

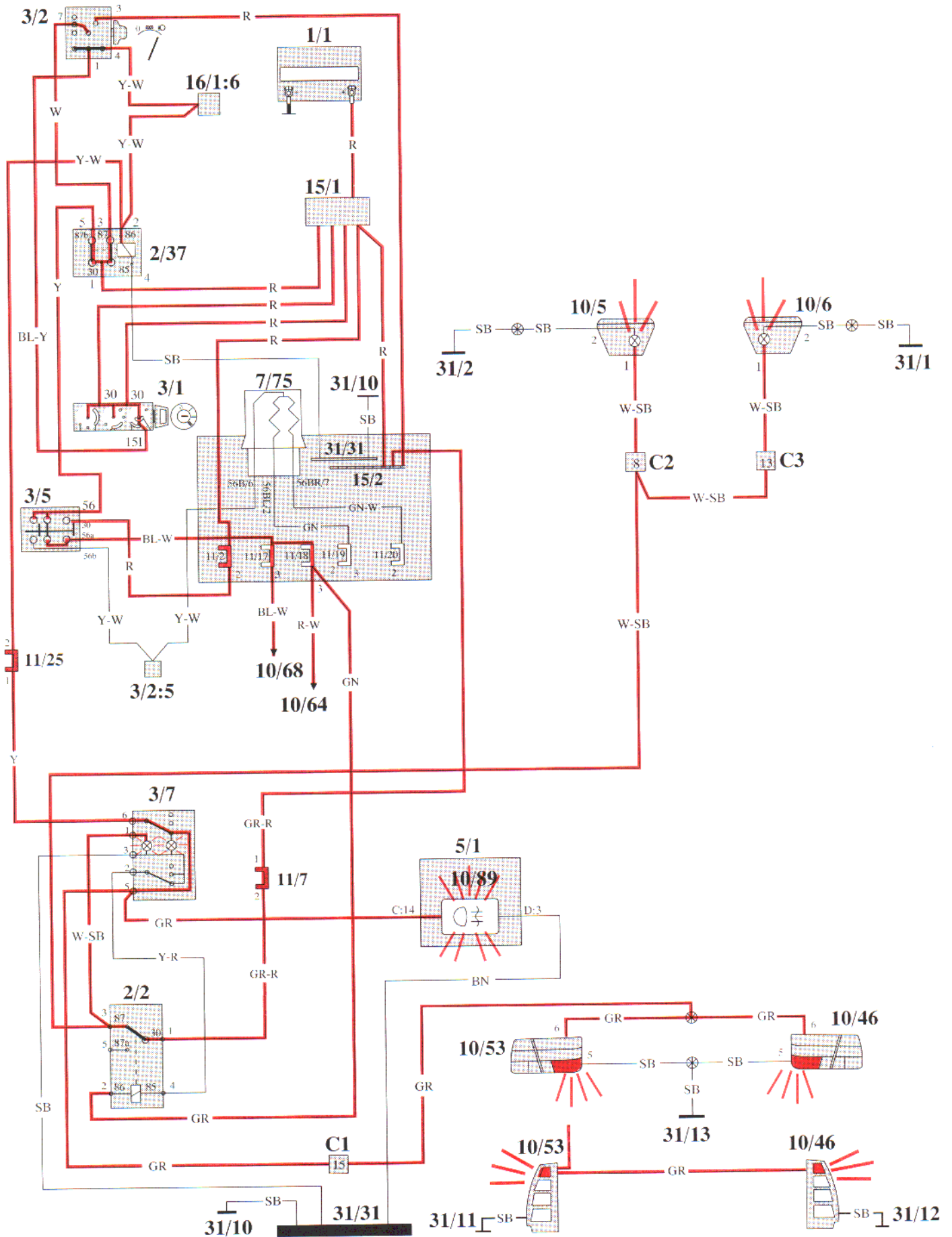
Switch, high/low beam (3/5) in low-beam position and with both front and rear foglights on

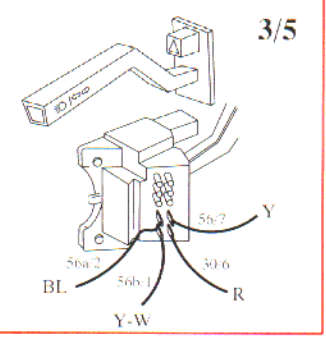
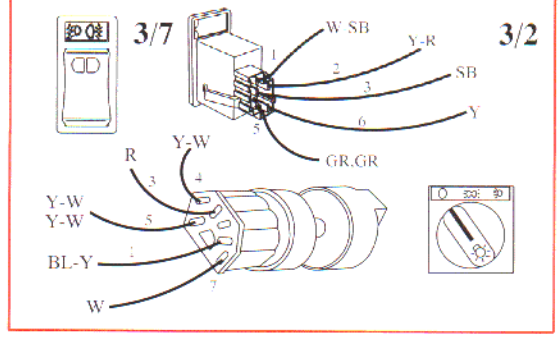
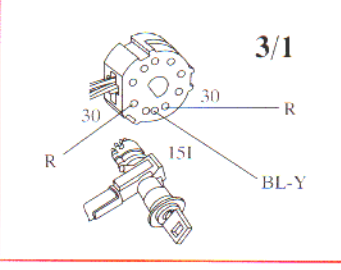
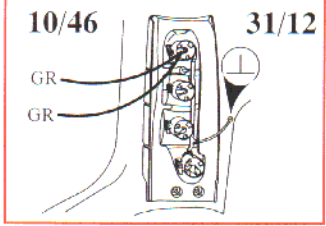
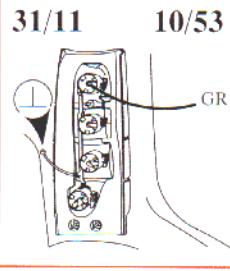
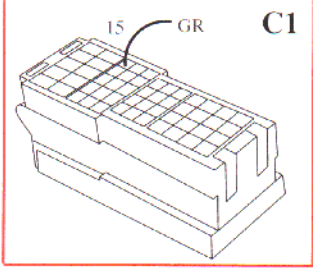
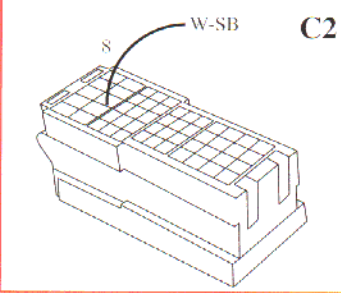
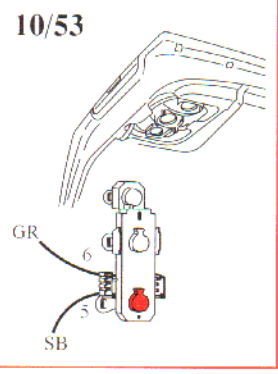
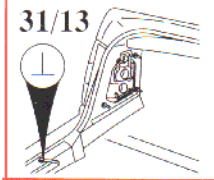
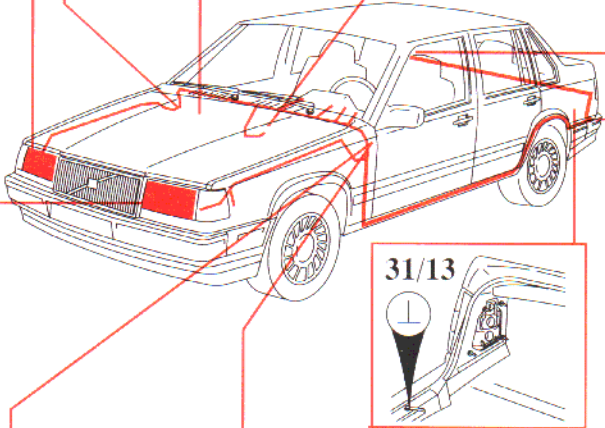
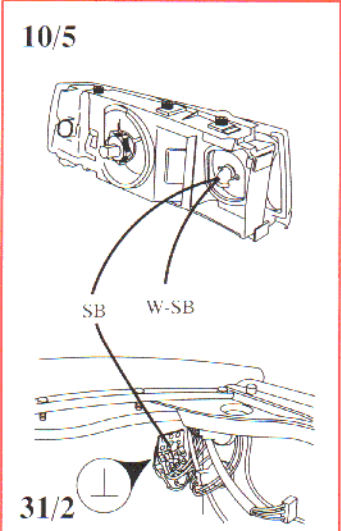
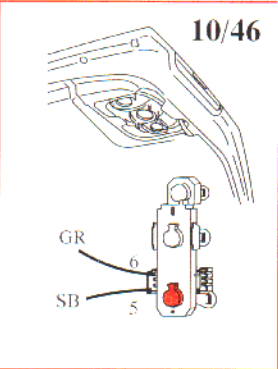
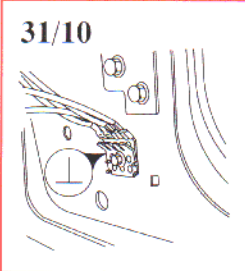
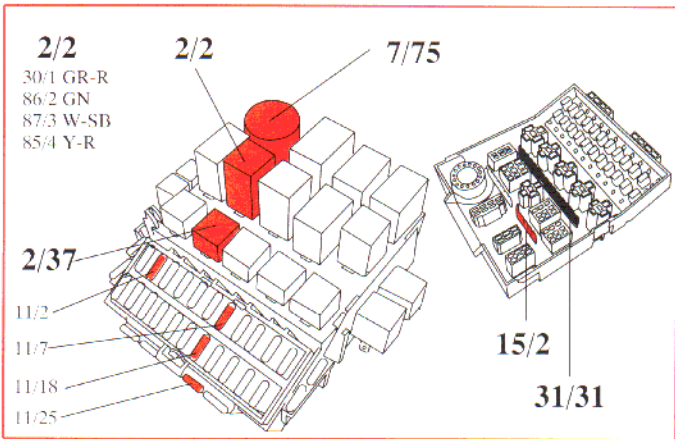
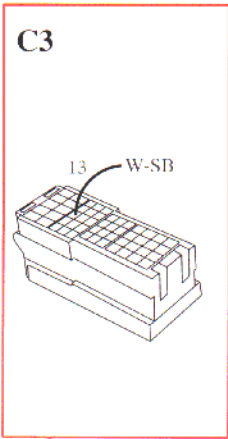
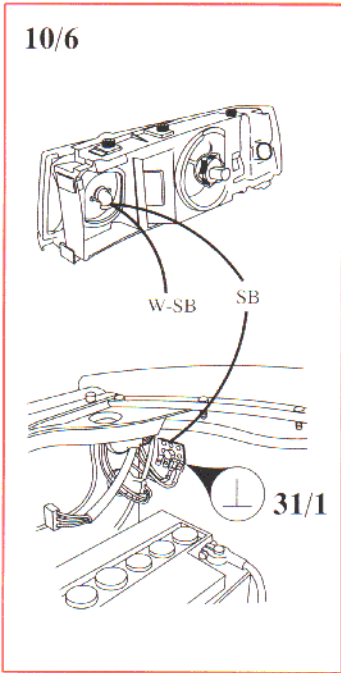




Foglights, Japan, Saudi Arabia, Taiwan and Overseas

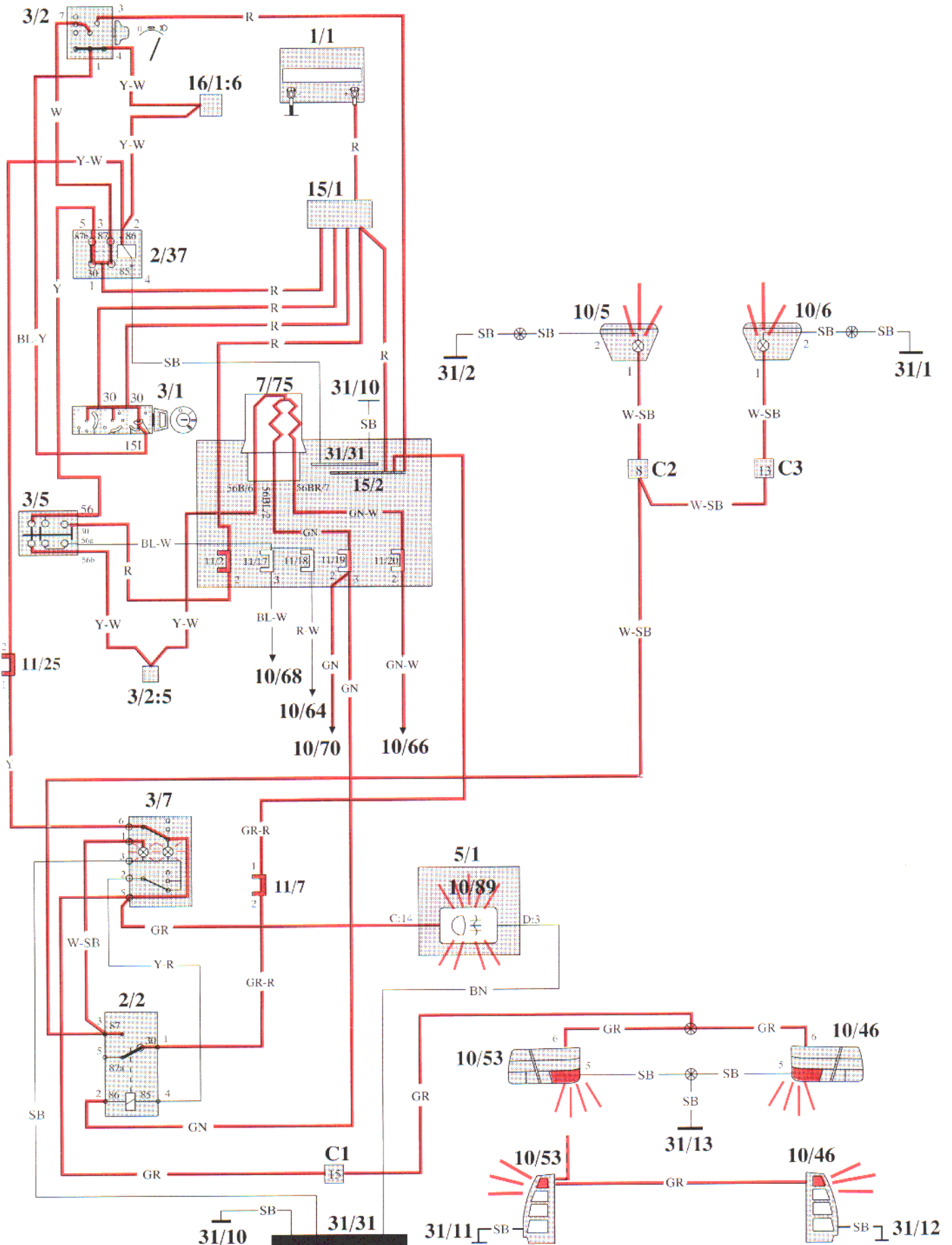
Switch 3/5 for high/low beam, in high-beam position and front foglights and rear foglights on.
Both the front and rear foglights light up.
(With switch 3/5 in low-beam position, only the rear foglights light up)

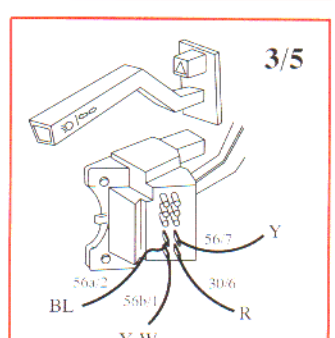
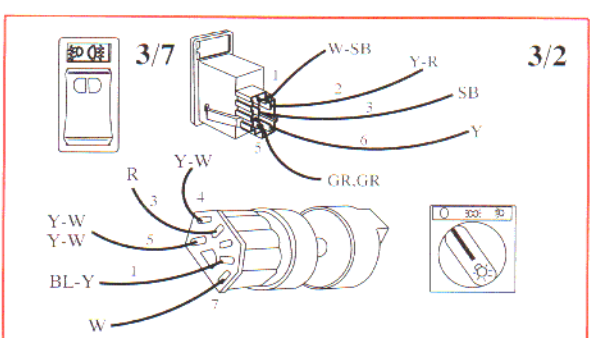
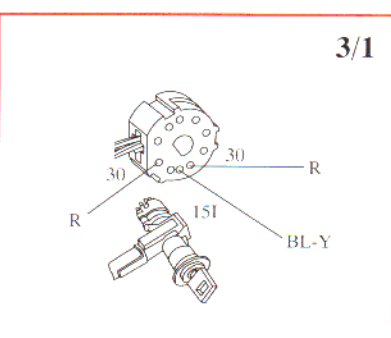
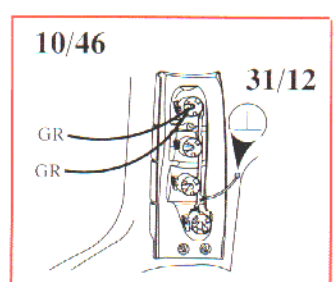
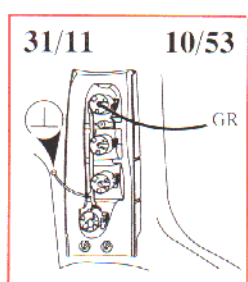
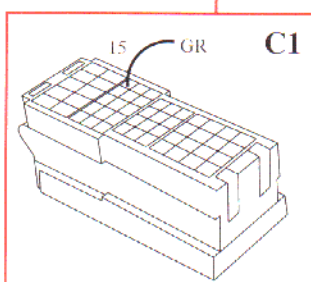
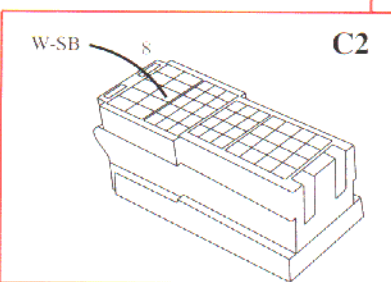
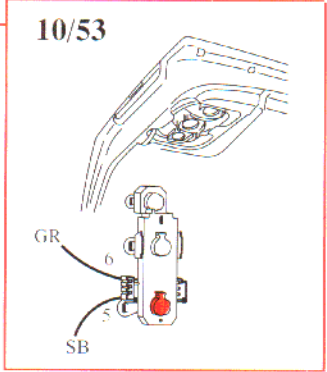
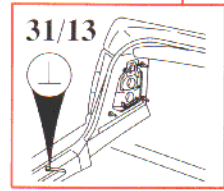
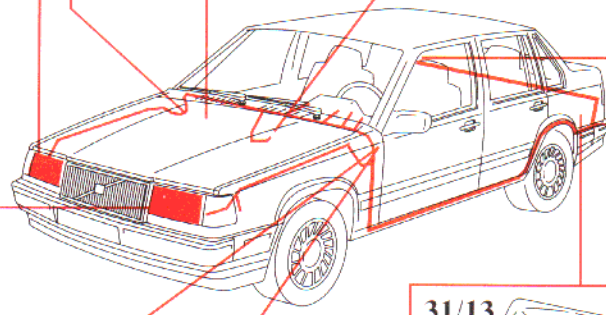
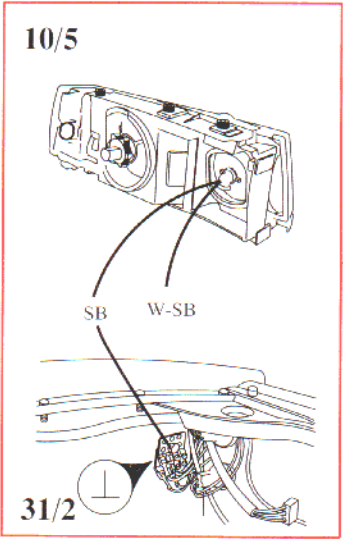
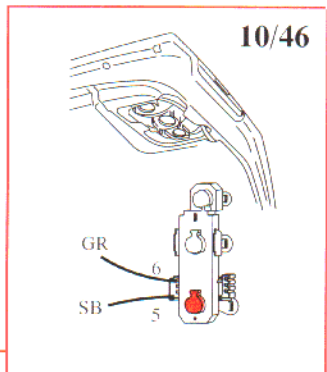
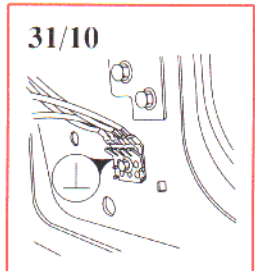
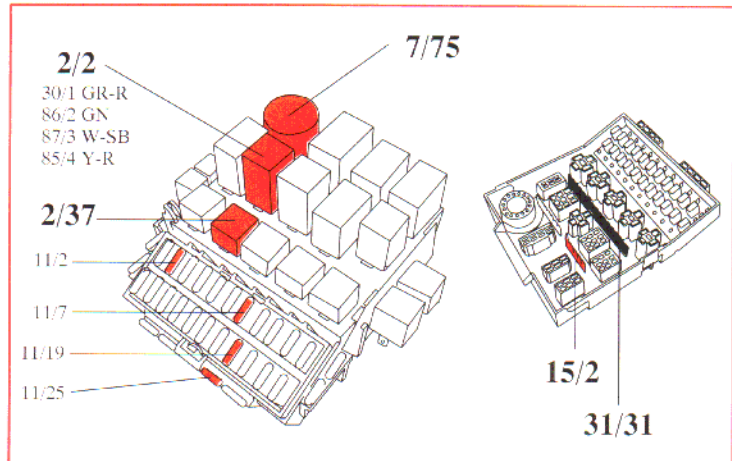
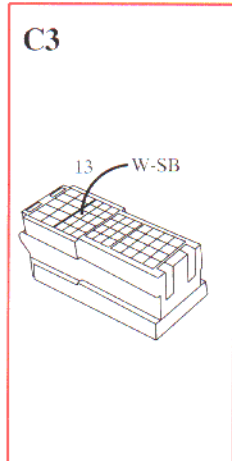
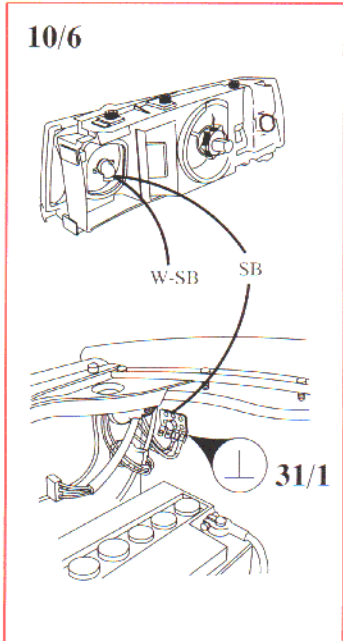




Foglights, USA, Canada

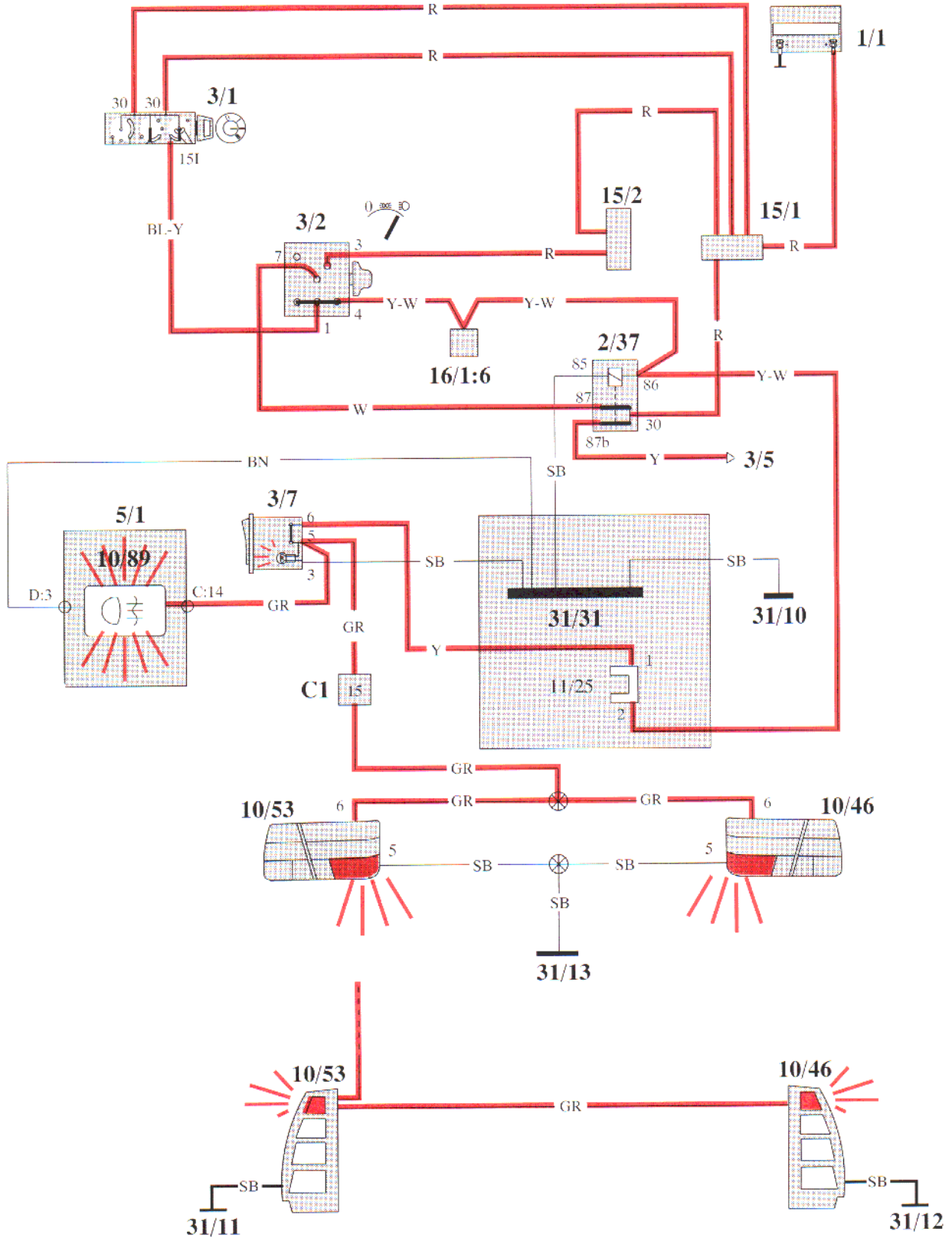
Switch 3/5 for high/low beam, in low-beam position and front foglights and rear foglights on.
 Both the front and rear foglights light up.
 (With switch 3/5 in high-beam position, only the rear foglights light up)

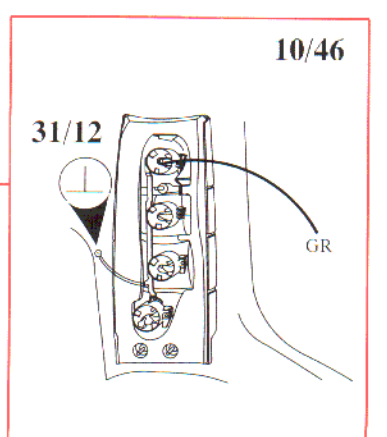
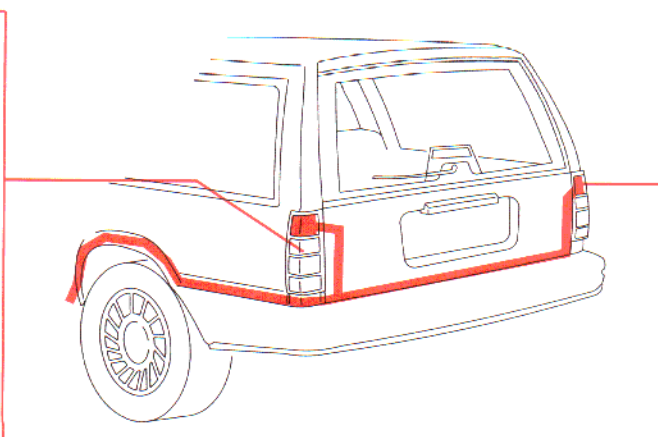
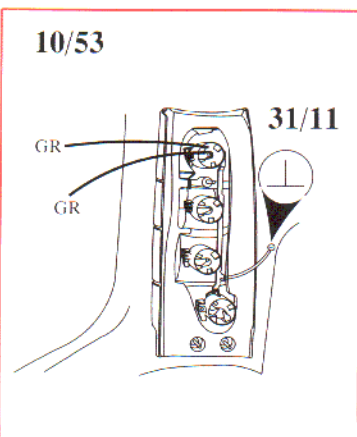
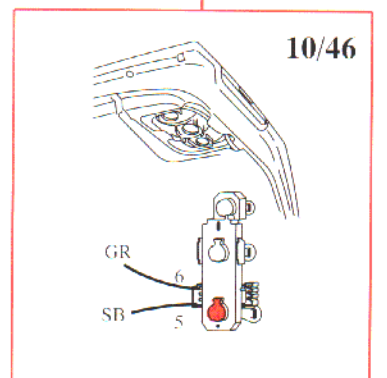
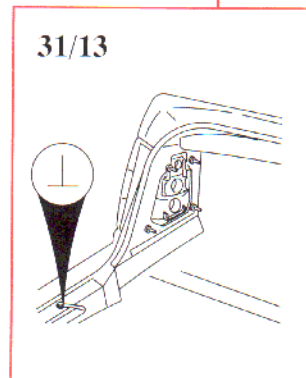
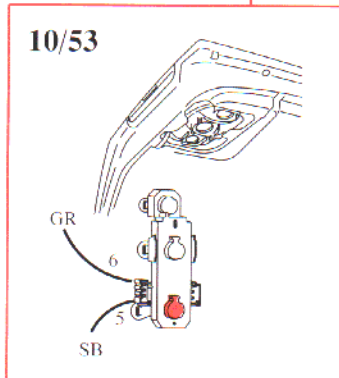
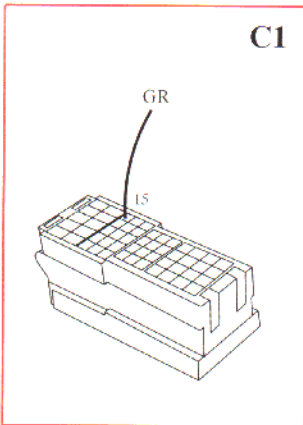
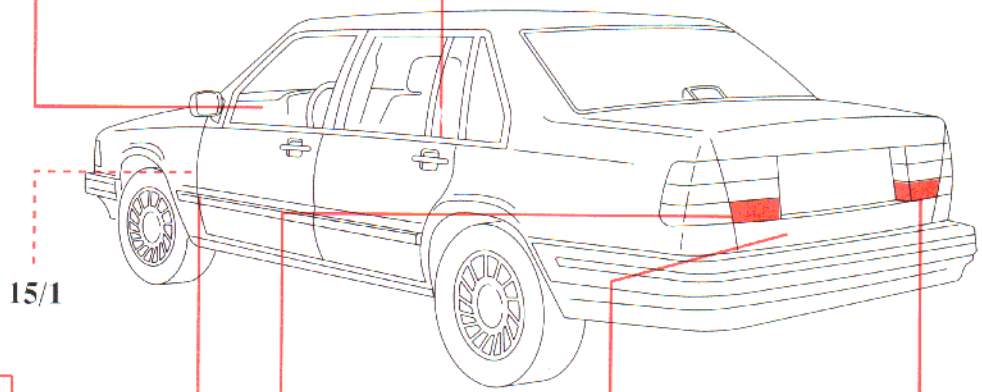
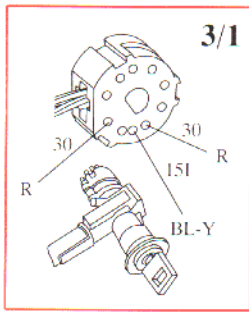
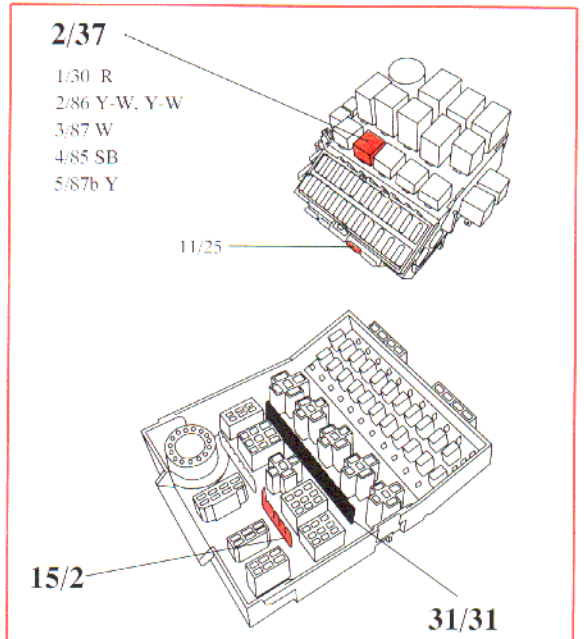
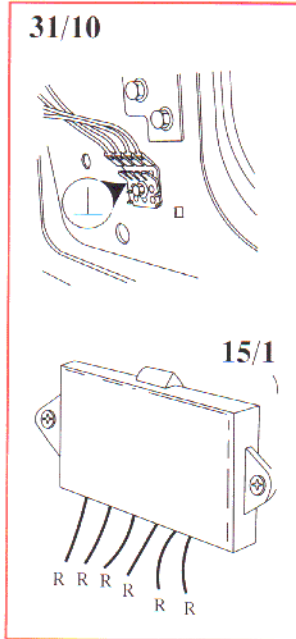
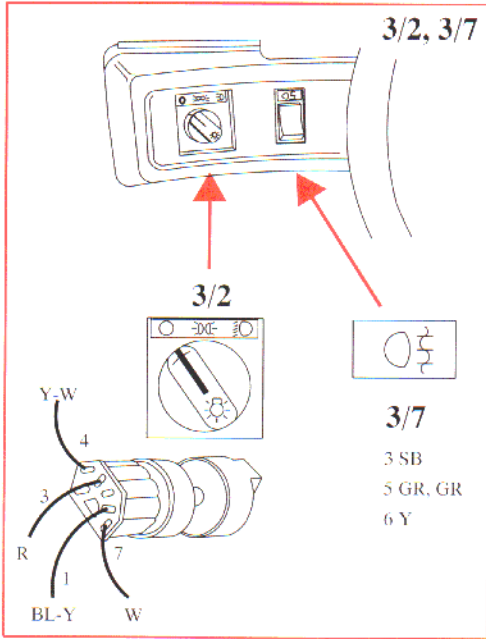




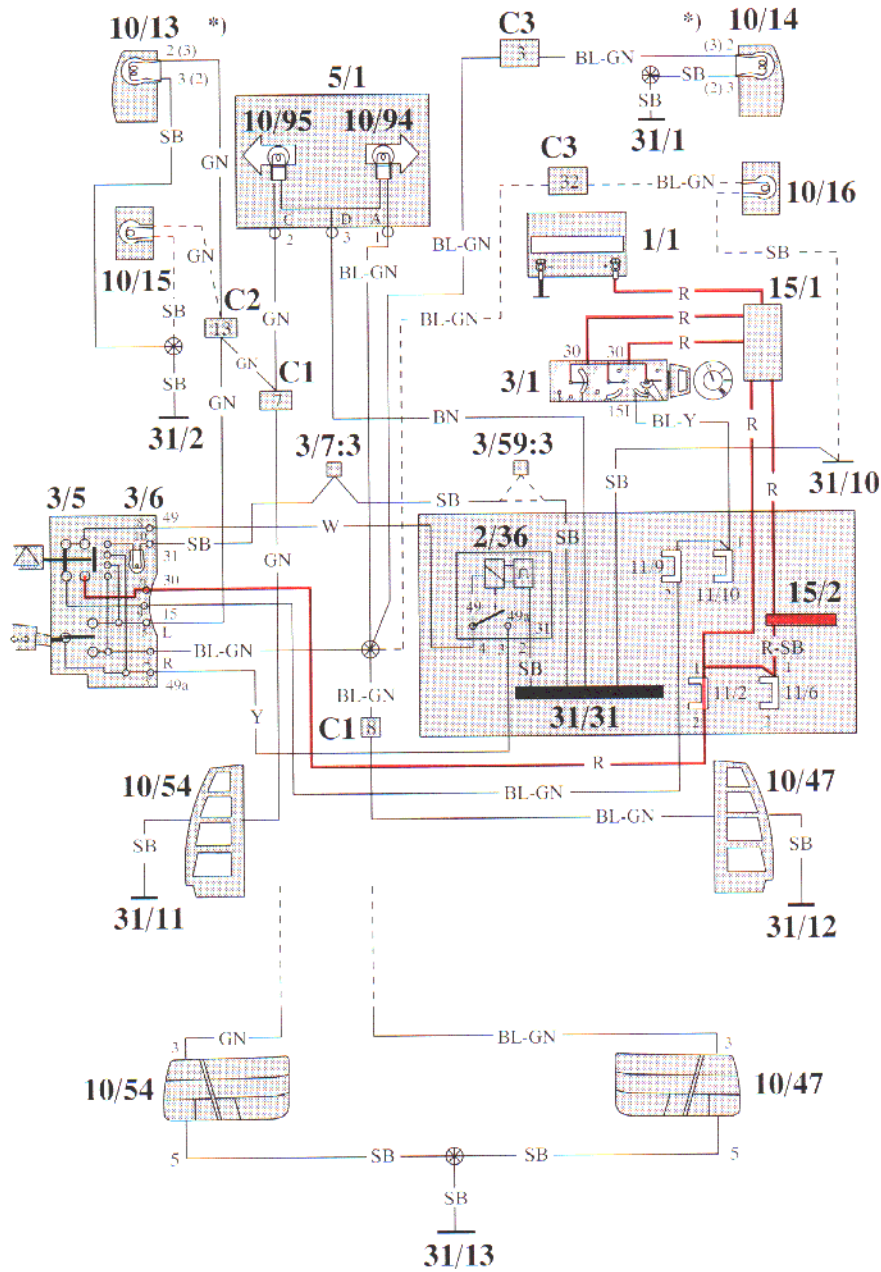
Rear foglights (USA, Canada)

Ignition in position II
Headlights on





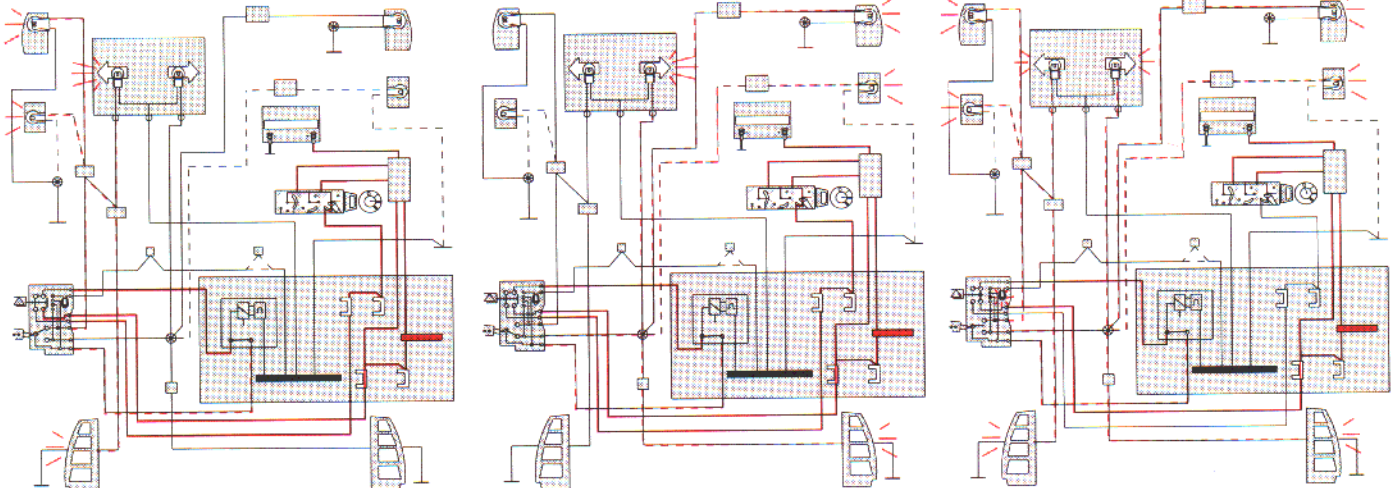
Turn signals and hazard warning flashers

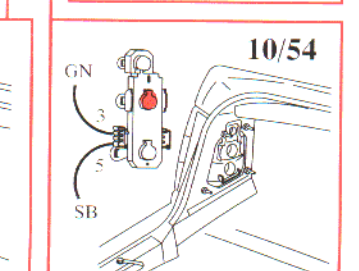
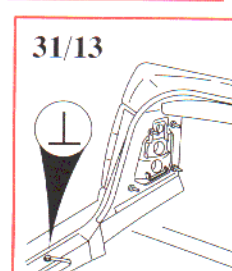
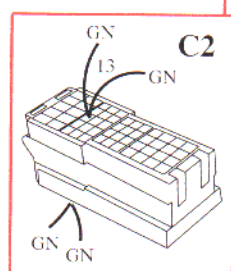
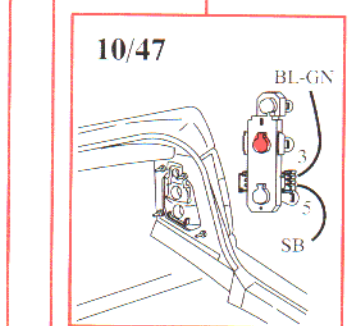
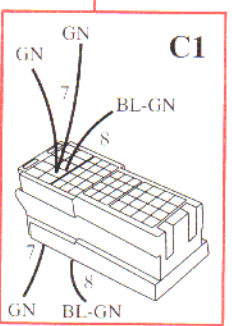
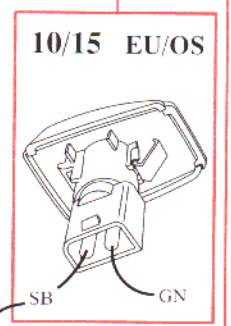
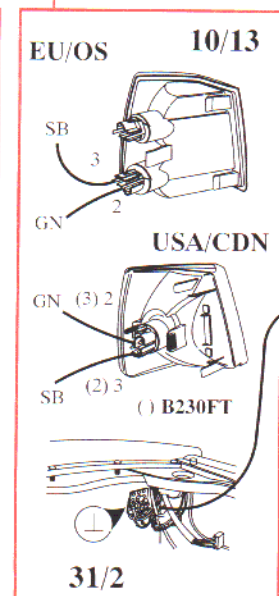
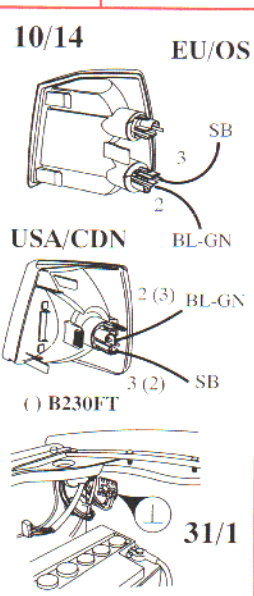
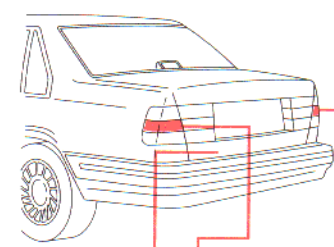
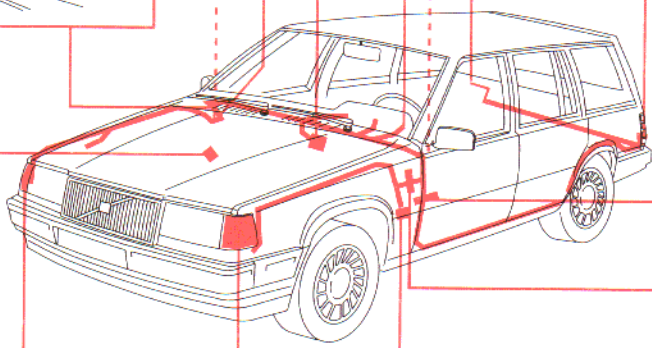
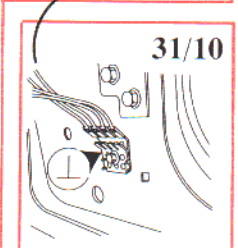
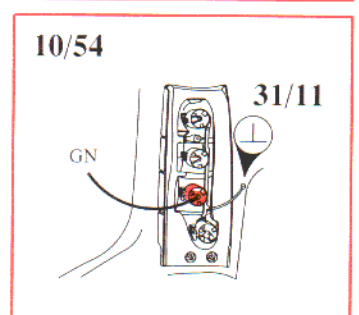
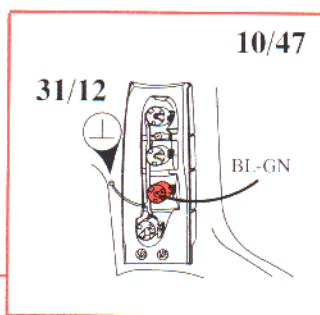
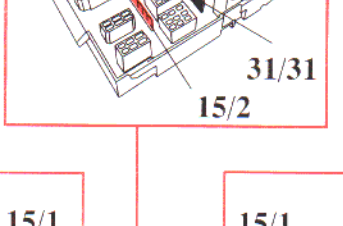
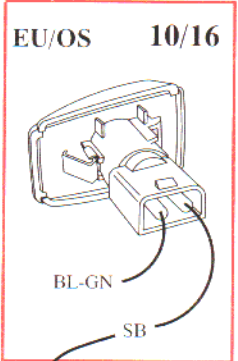
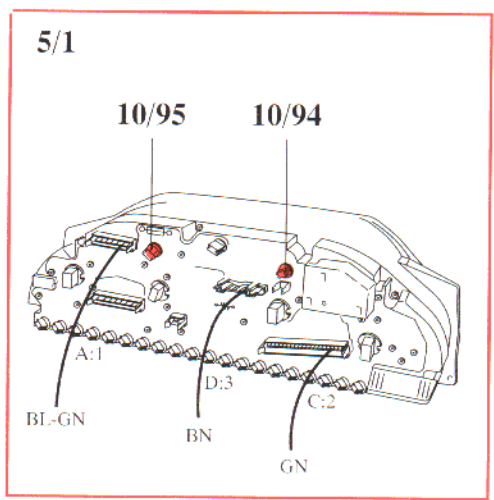
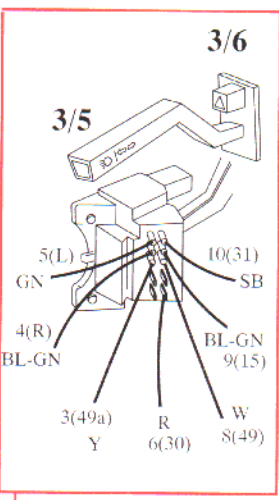
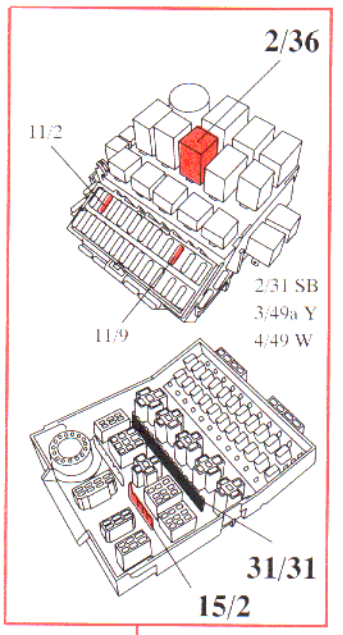
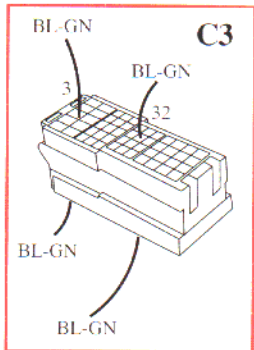


Left turn signal on

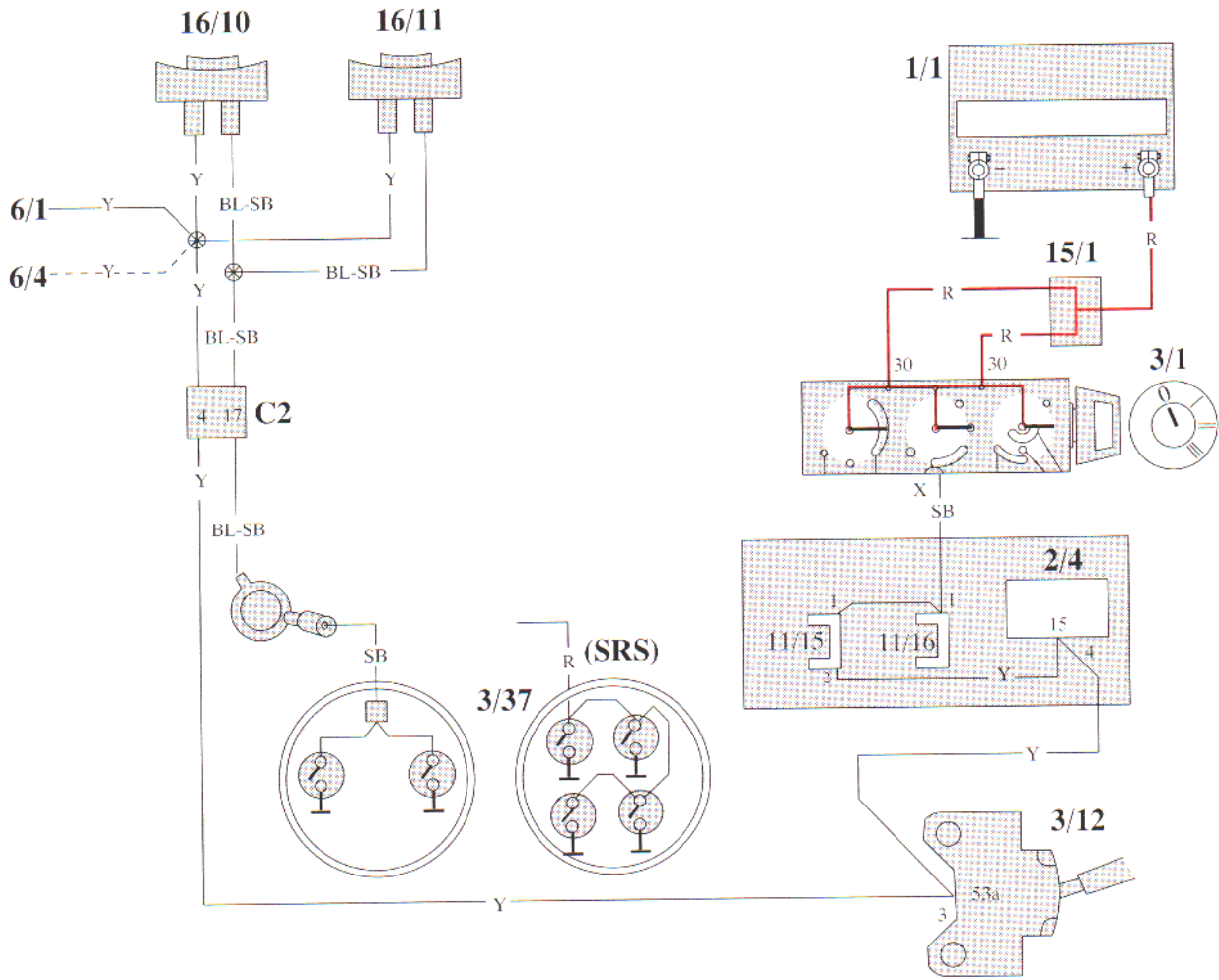
Right turn signal on

Hazard warning lights on

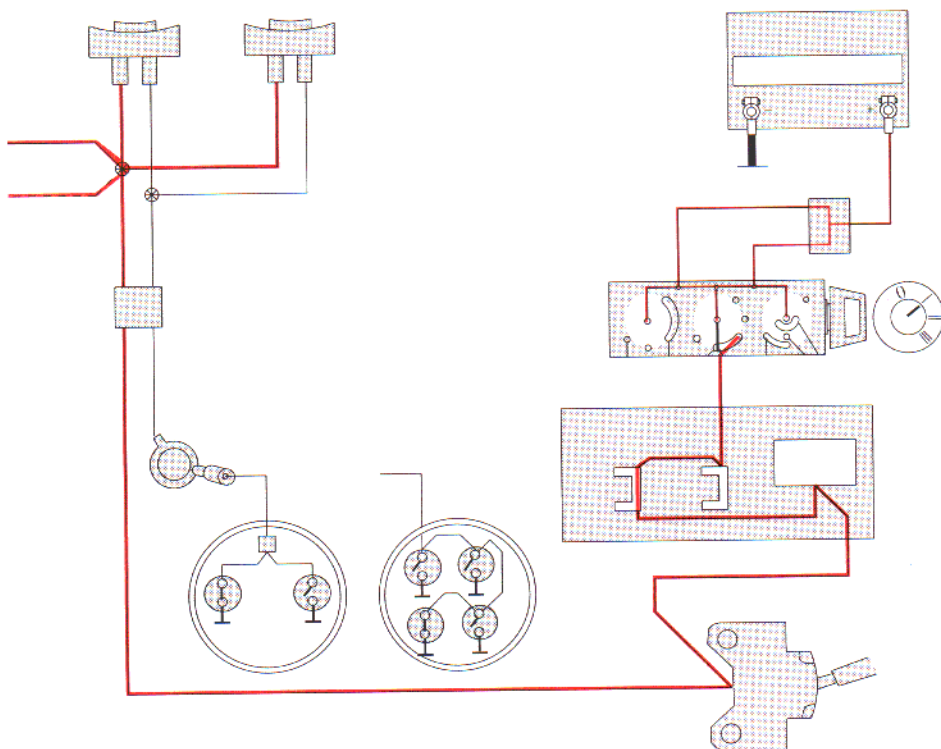


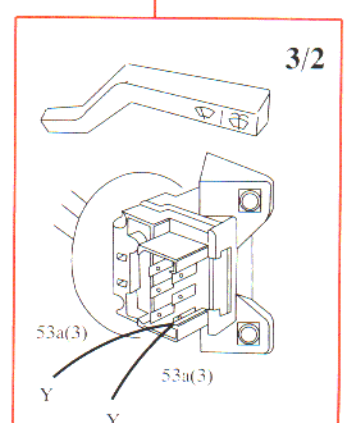
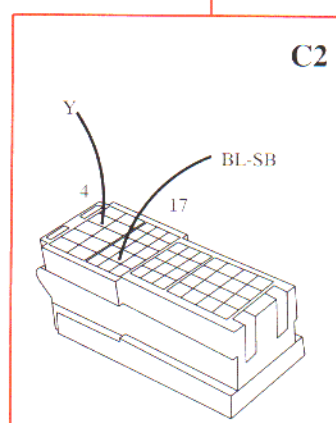
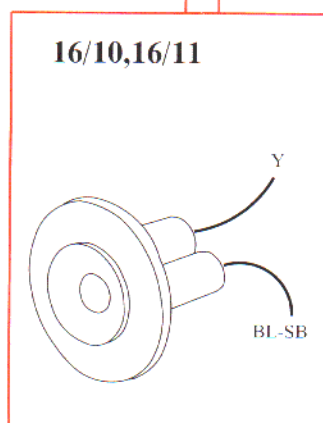
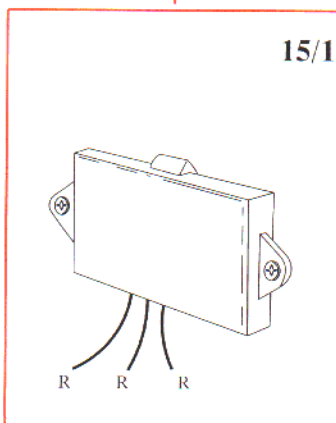
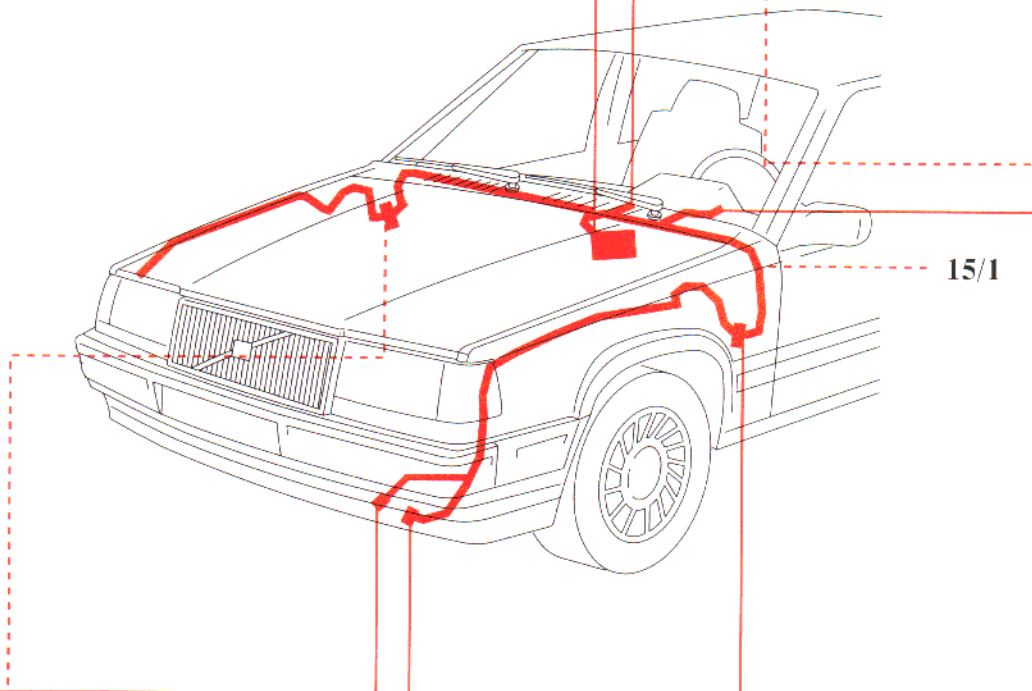
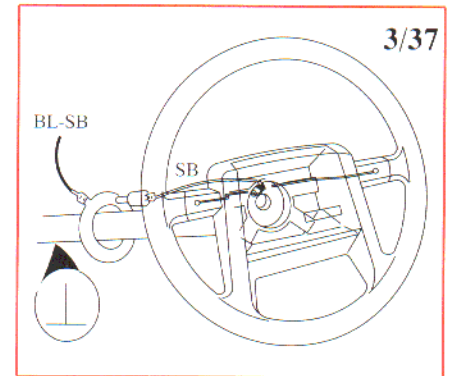
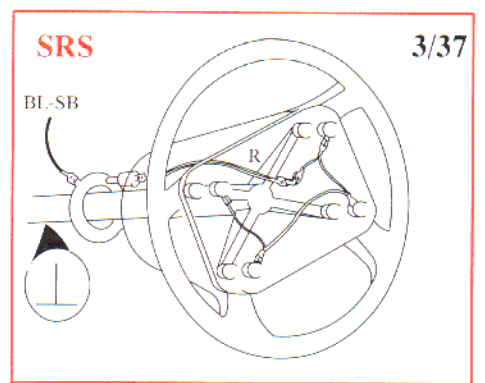
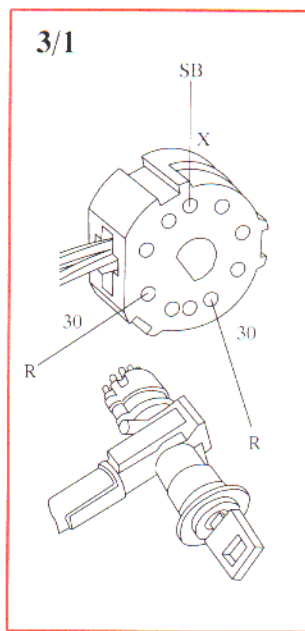
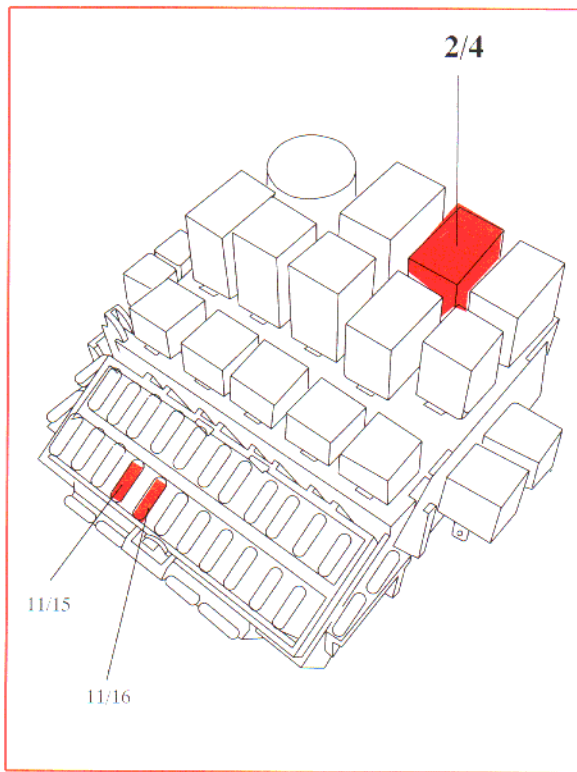


Horn



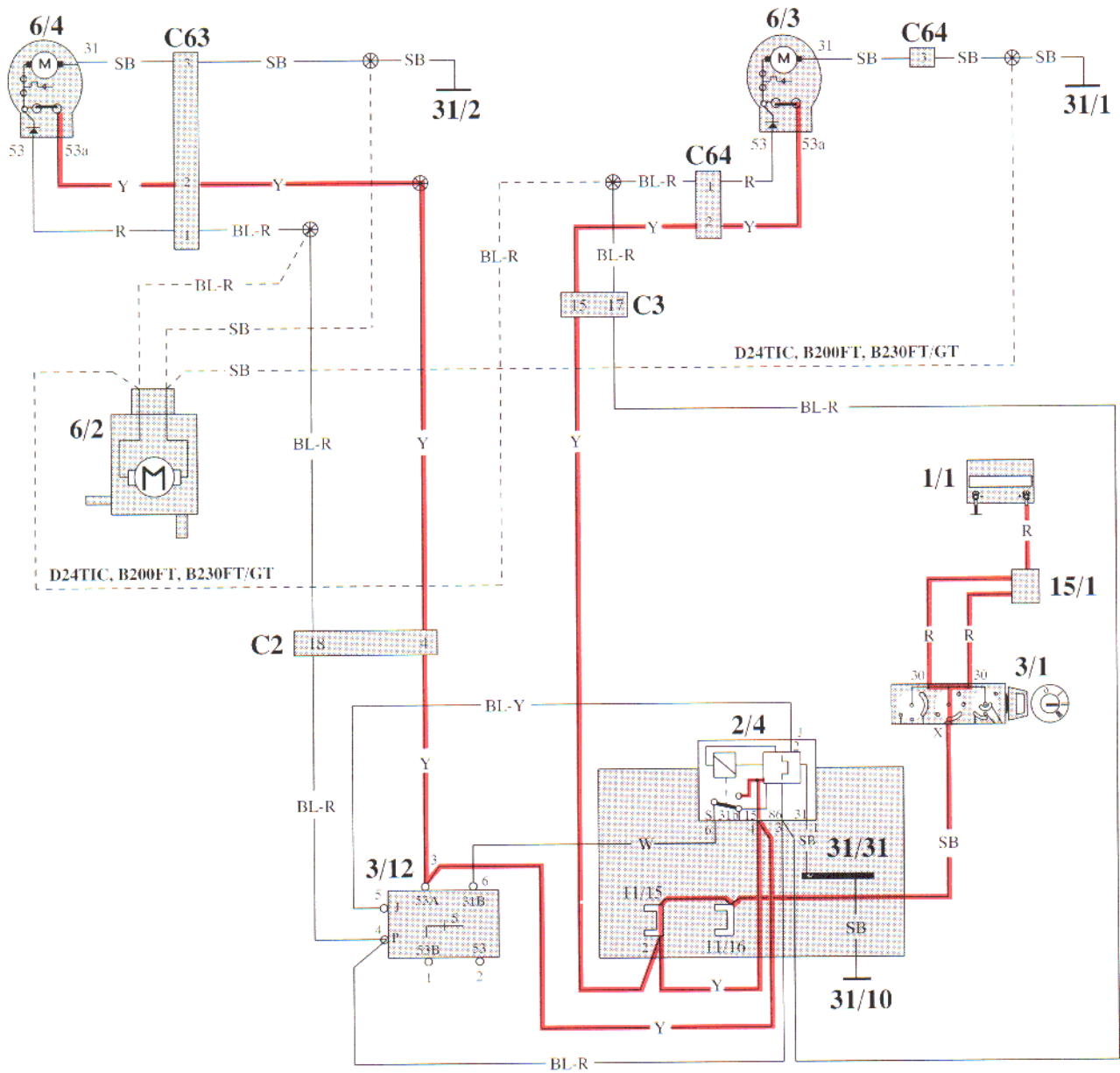
Horn sounding





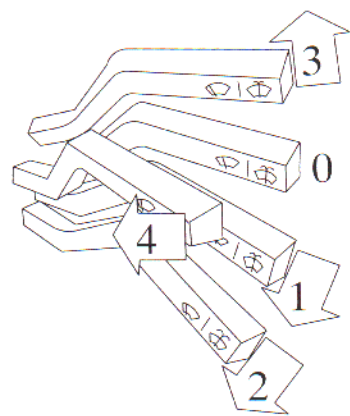
Headlight wash/wipe

Wiper motors in parking cycle

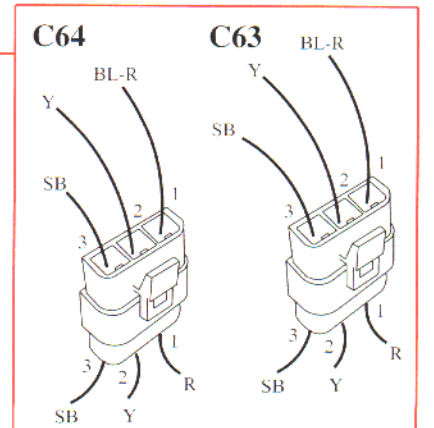
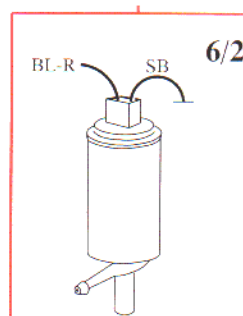
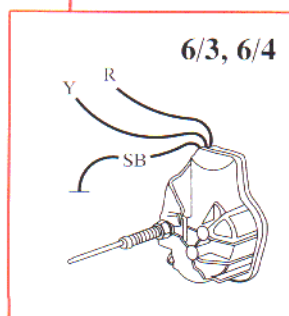
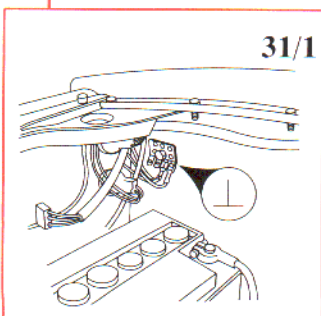
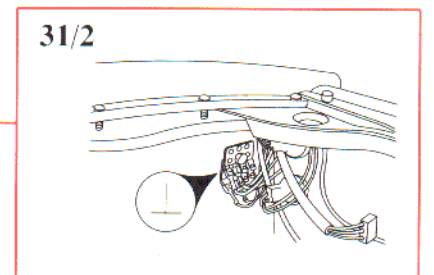
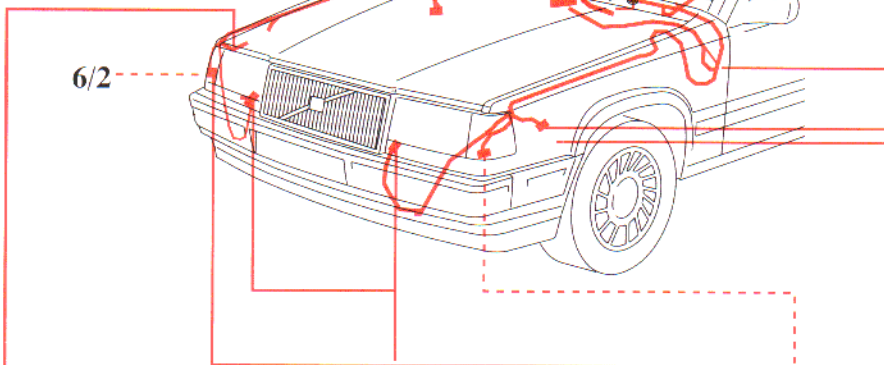
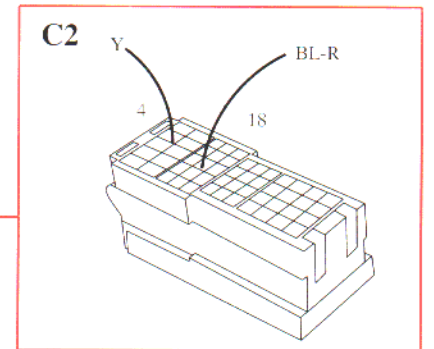
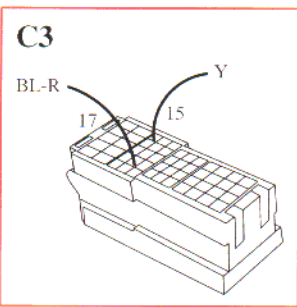
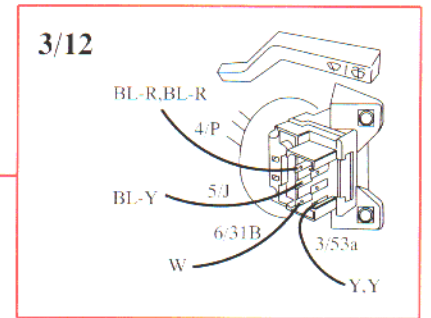
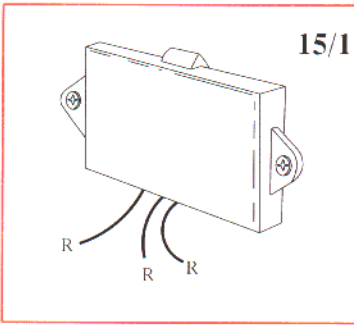
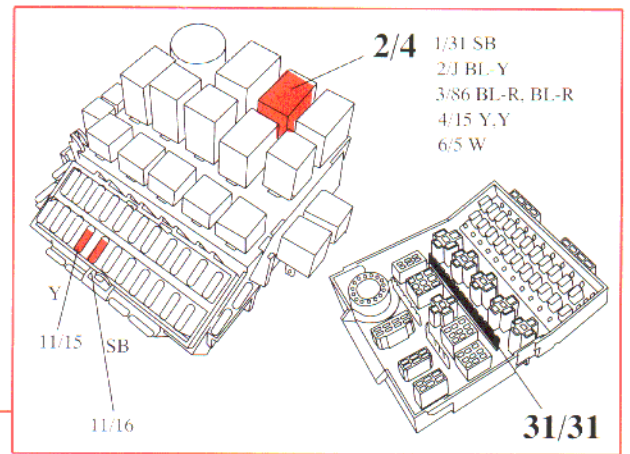
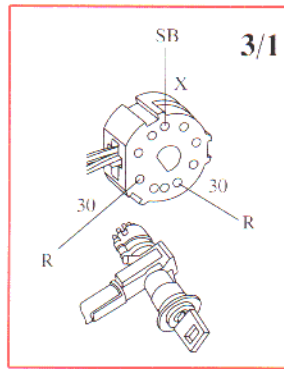
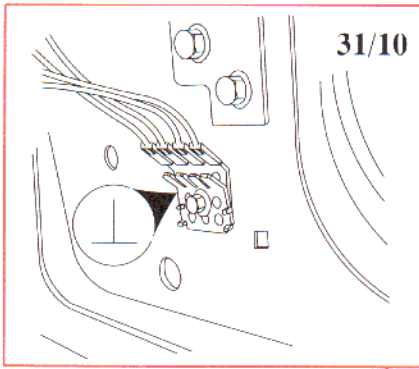


3/12

	0	1	2	3	4
+53a		X	X	X	X
53b			X		
J				X	
P					X
53	X	X		X	X
31b	X			X	X

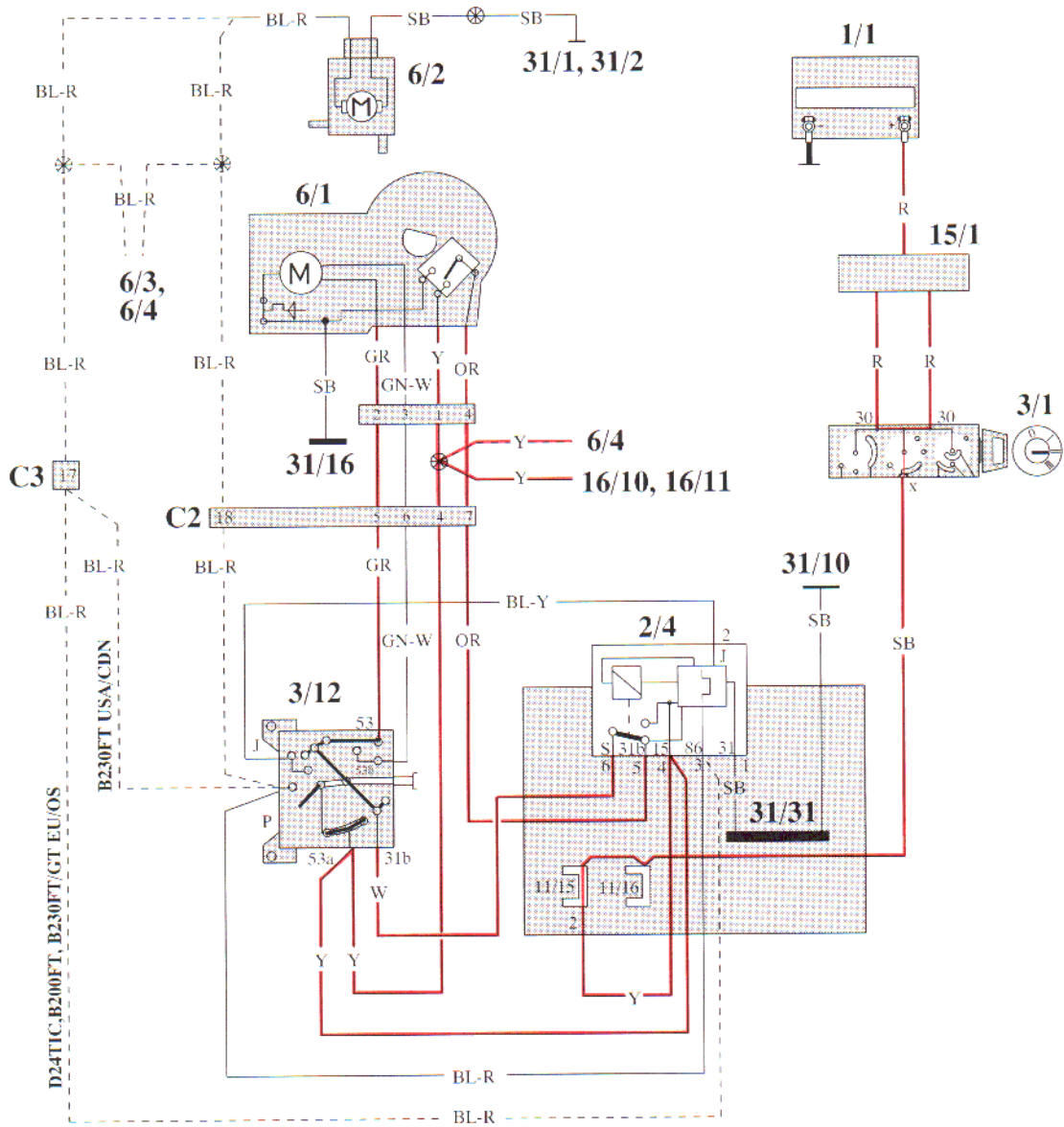


Interconnected junctions at different positions of switch 3/12



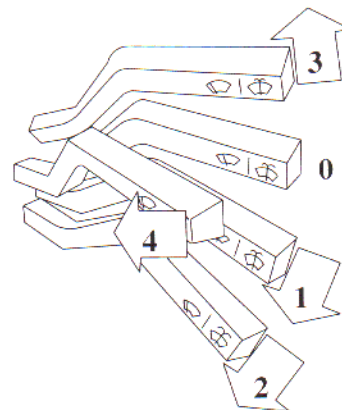
Windshield wash/wipe

Wiper motor in parking cycle

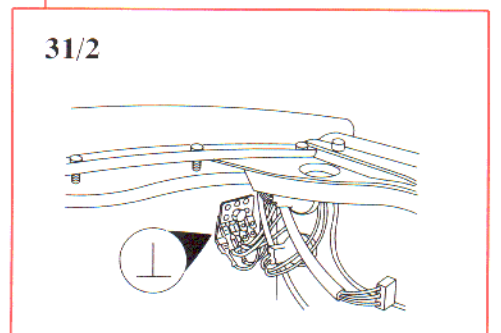
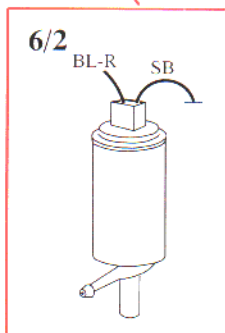
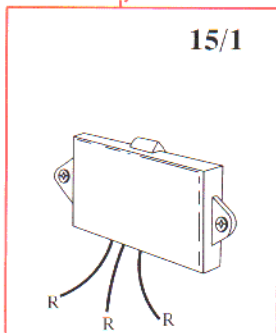
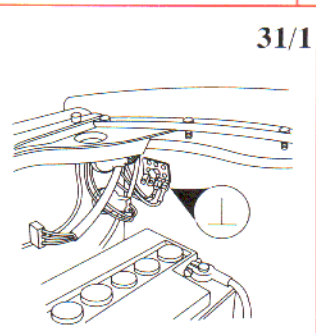
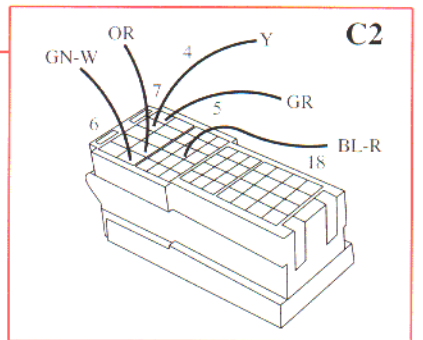
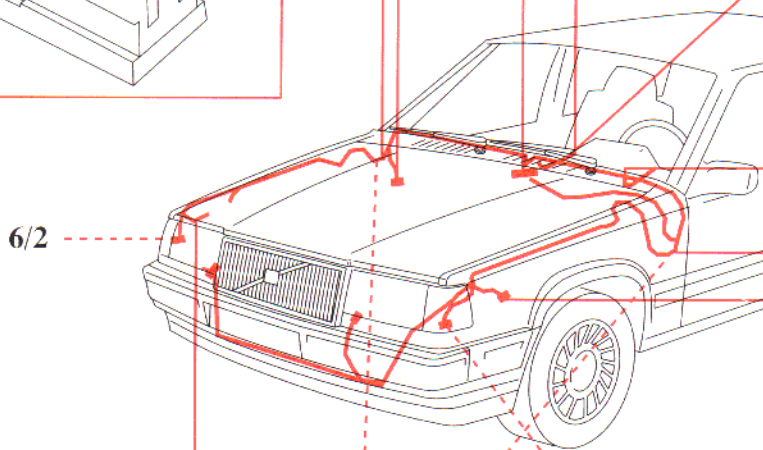
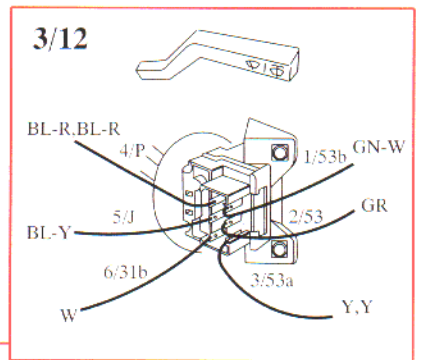
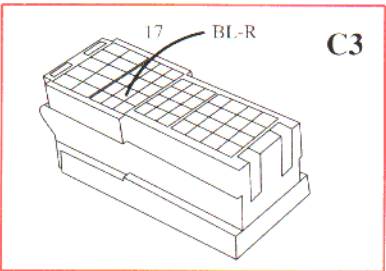
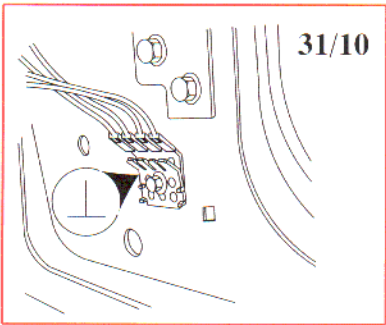
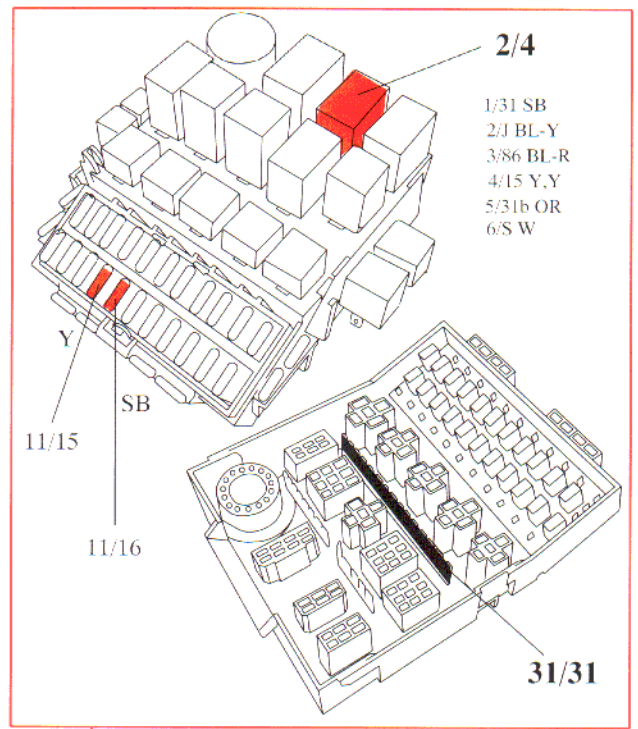
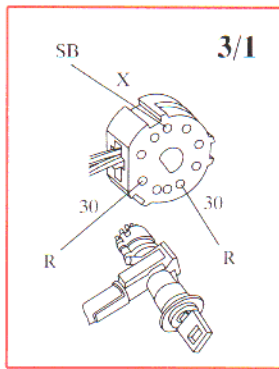
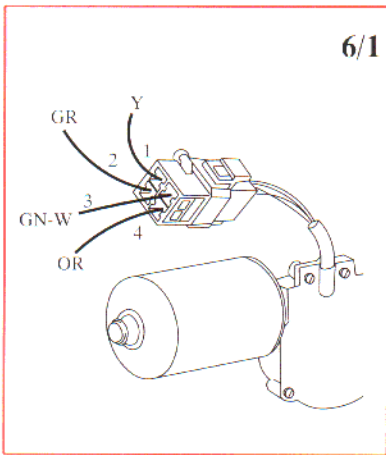


3/12

	0	1	2	3	4
+53a		X	X	X	X
53b			X		
J				X	
P					X
53	X	X		X	X
31b	X			X	X

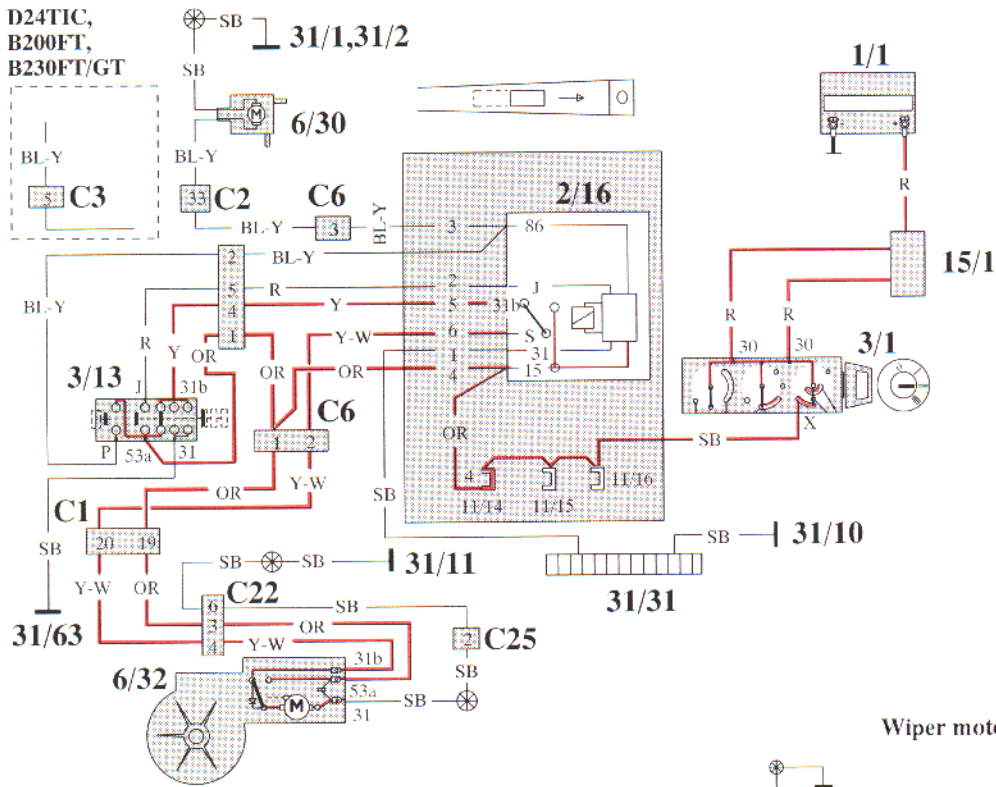


Interconnected junctions at different positions of switch 3/12

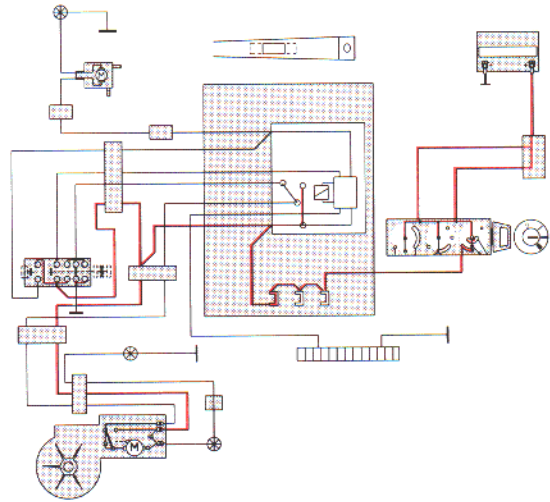


Tailgate wash/wipe

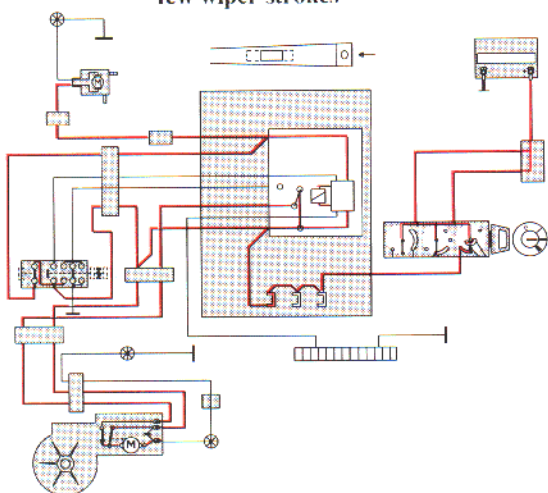
Wiper motor on



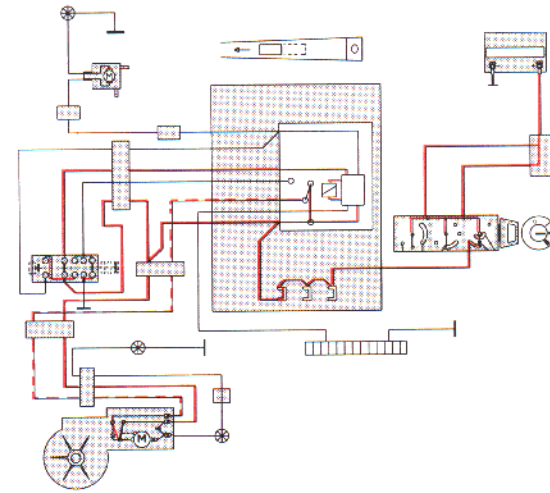
Wiper motor in parking cycle

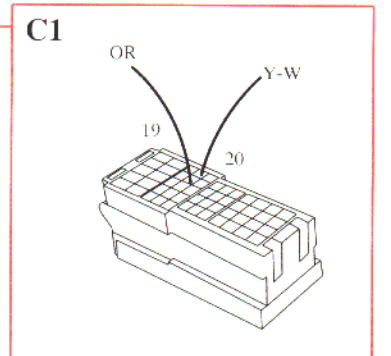
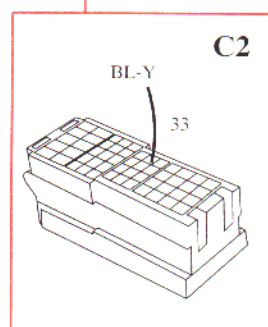
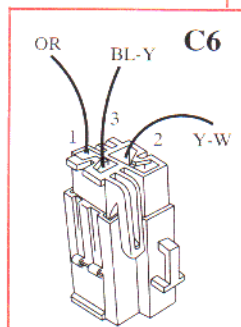
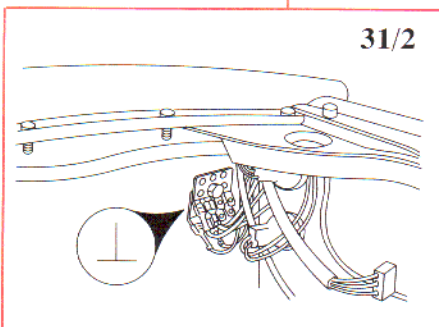
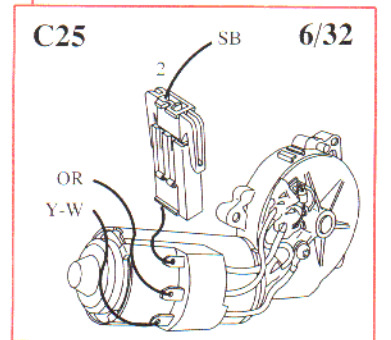
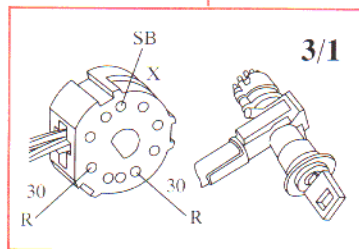
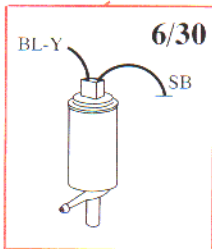
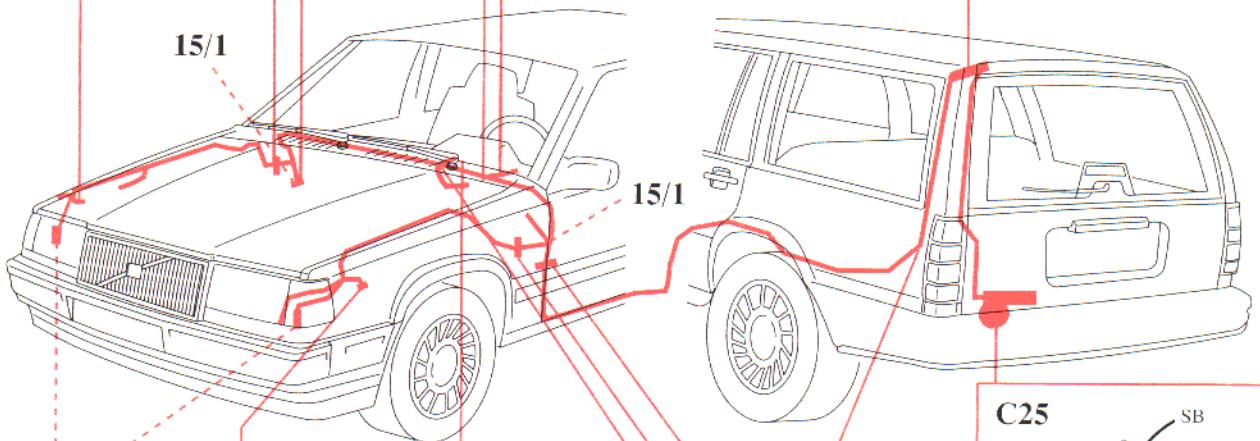
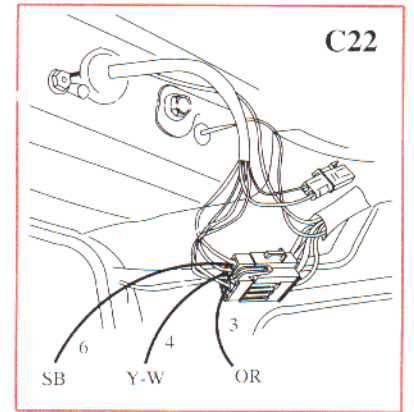
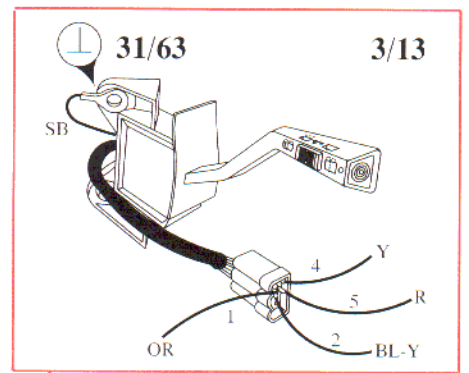
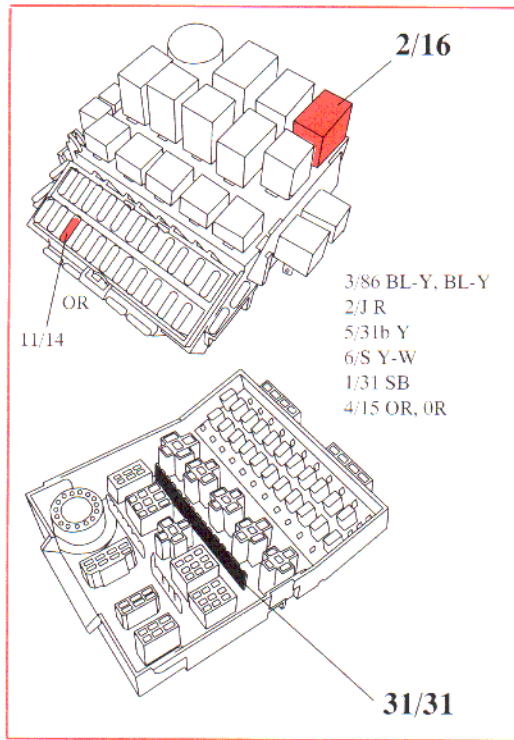
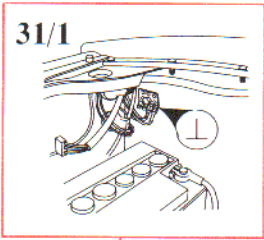
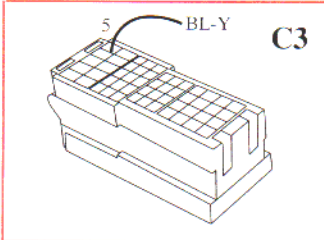
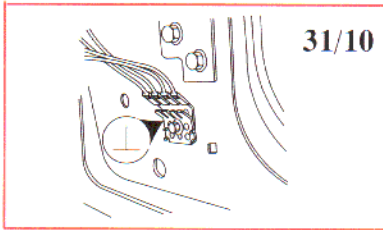


Washer motor on with a few wiper strokes

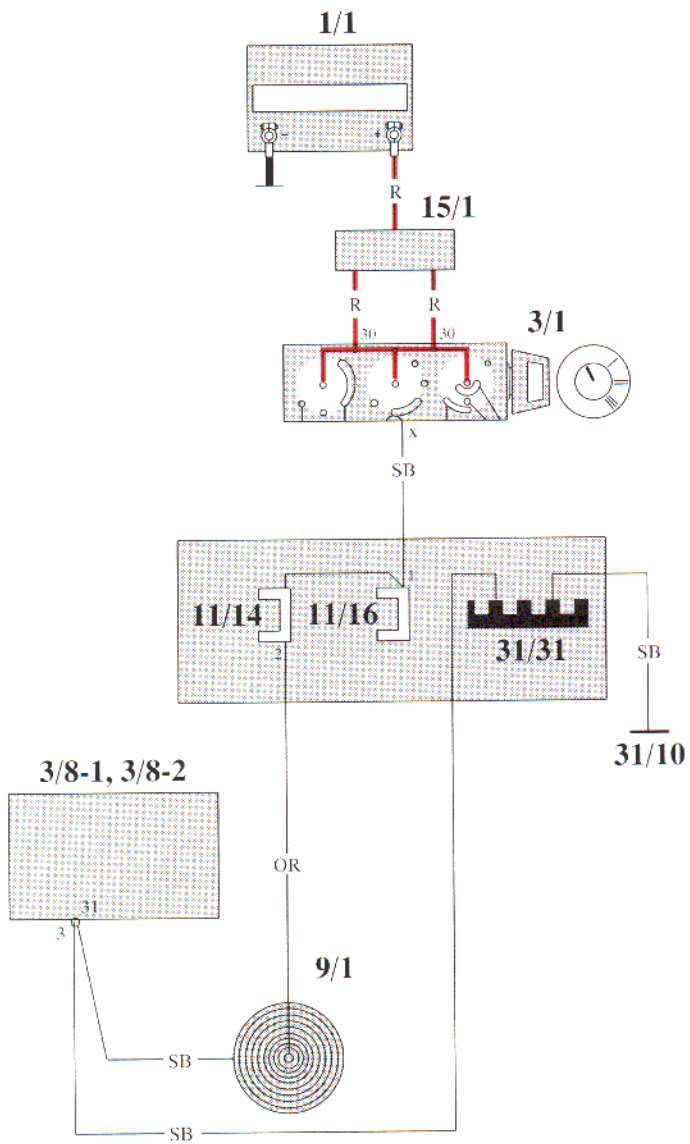


Intermittent wiping

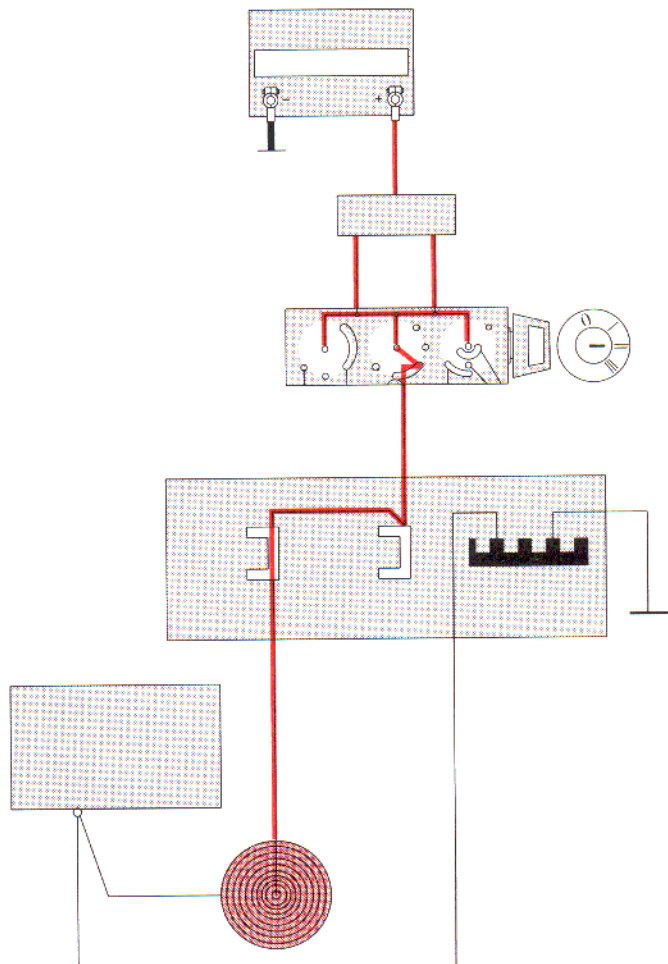


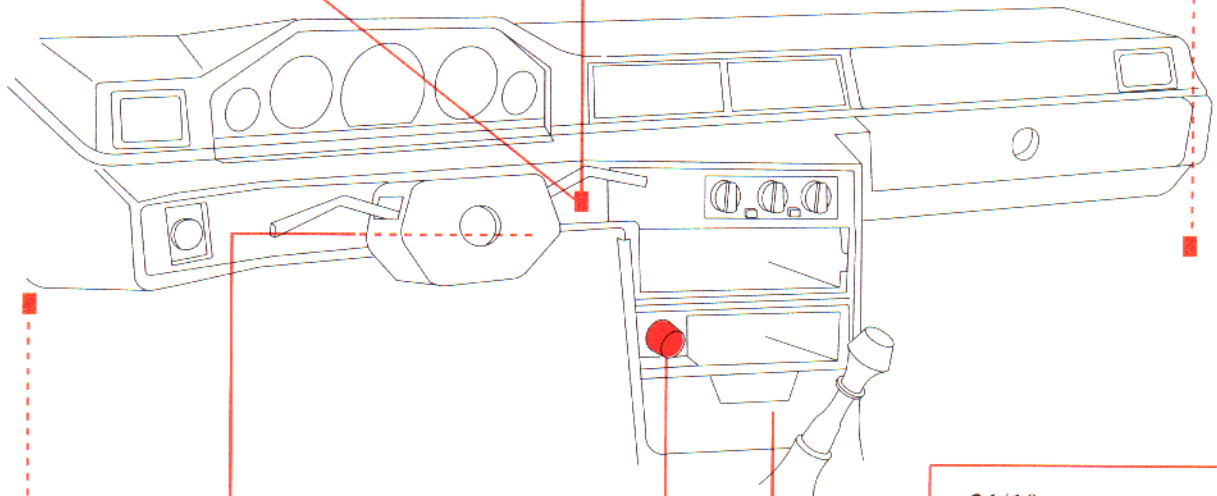
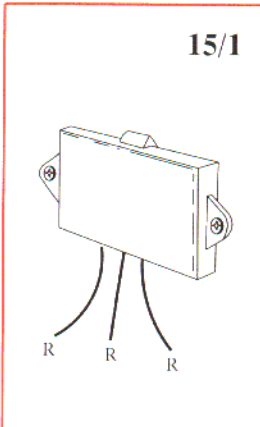
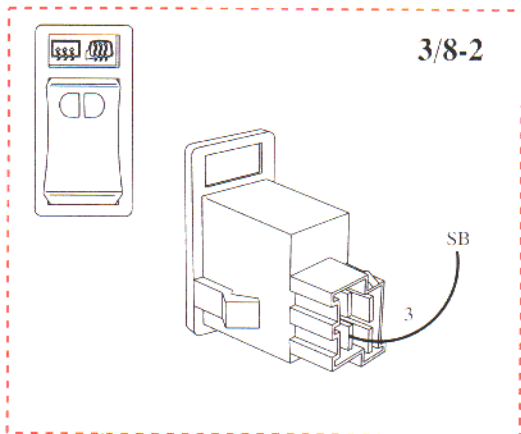
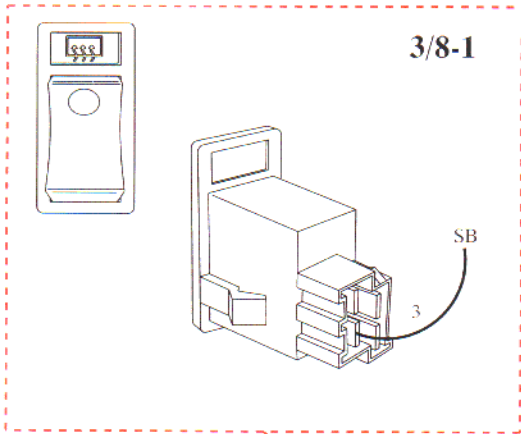


Cigar lighter

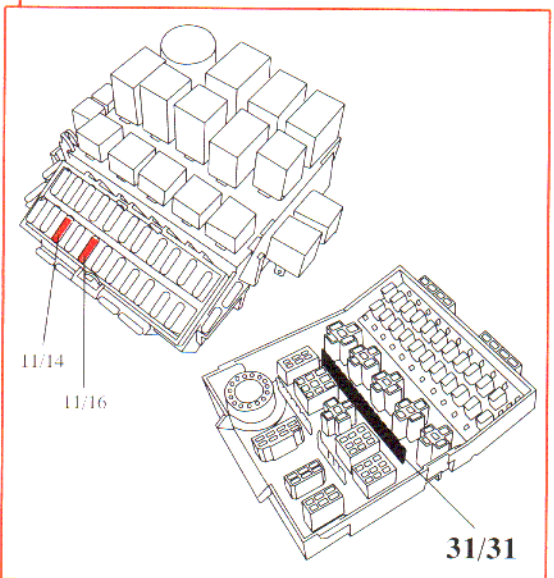
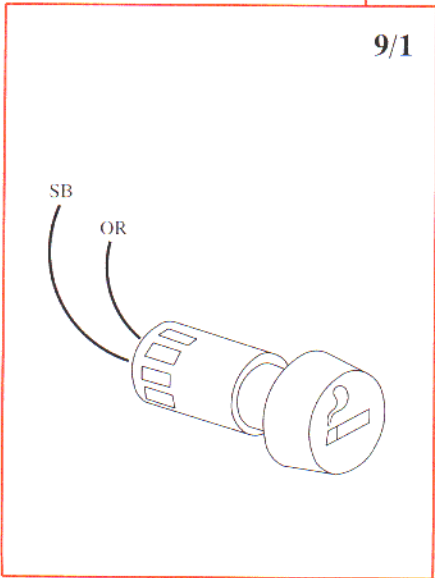
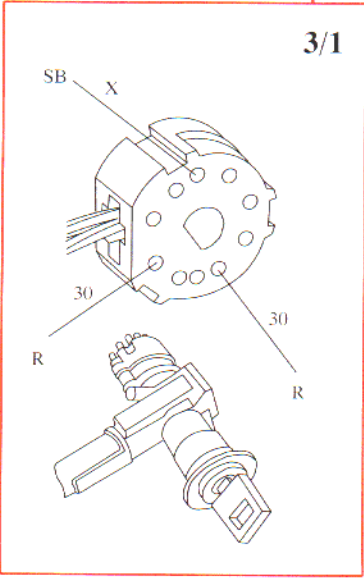
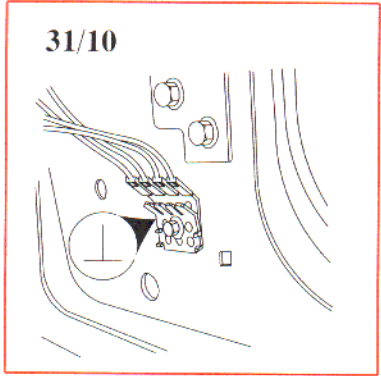


Cigar lighter pushed IN

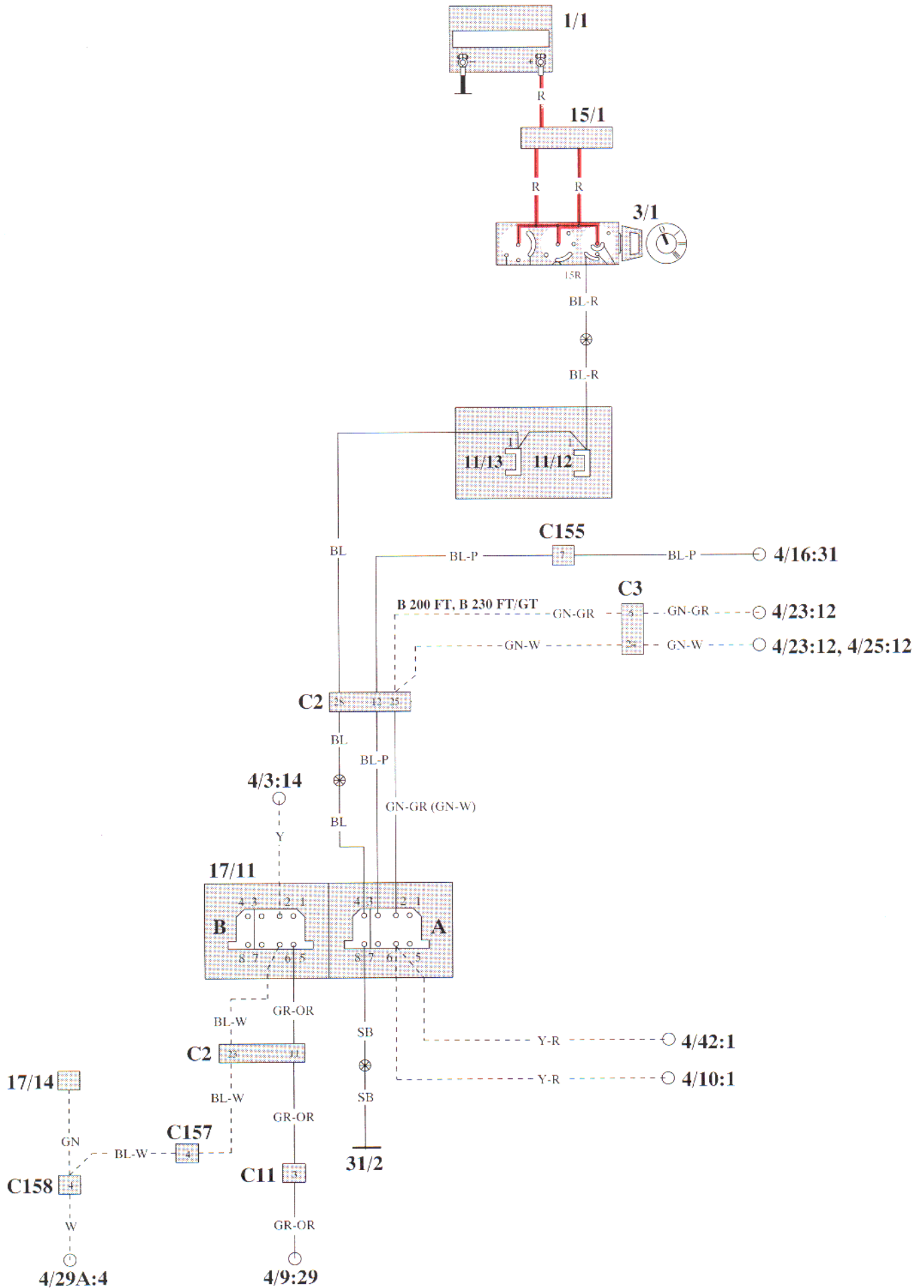


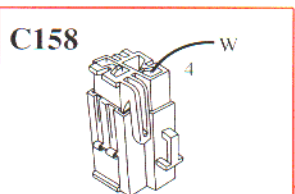
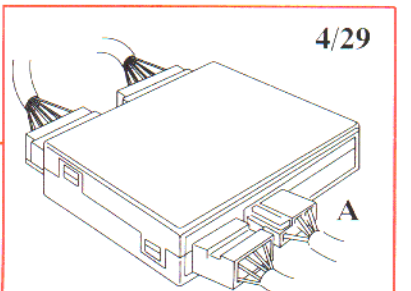
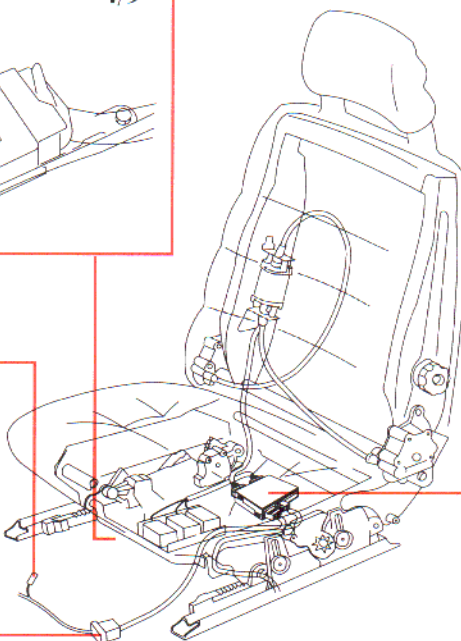
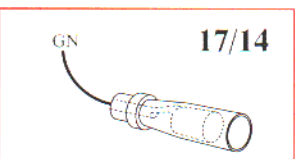
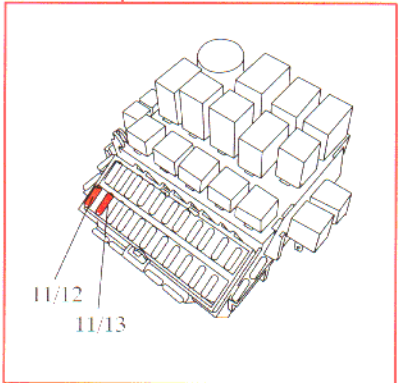
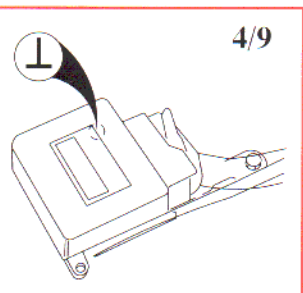
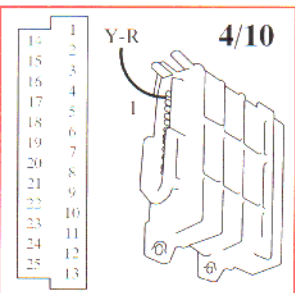
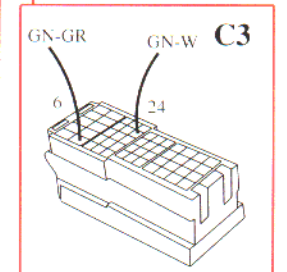
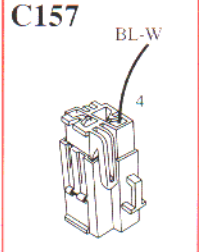
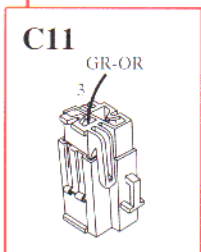
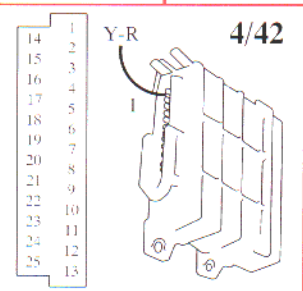
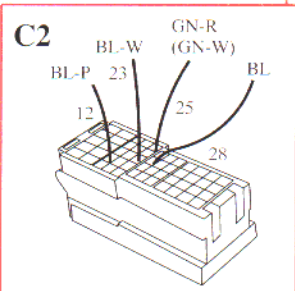
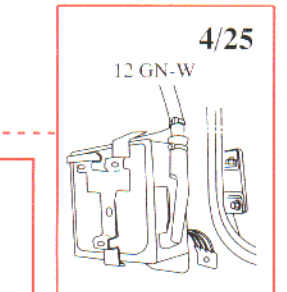
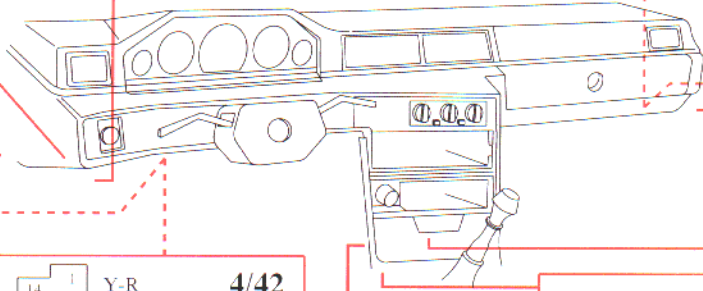
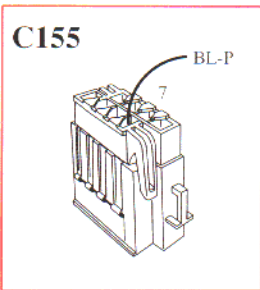
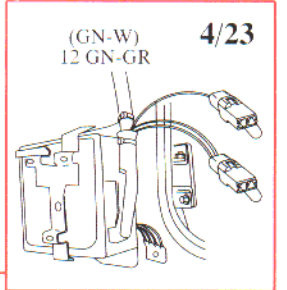
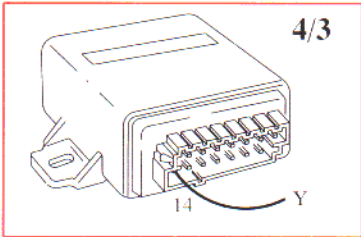
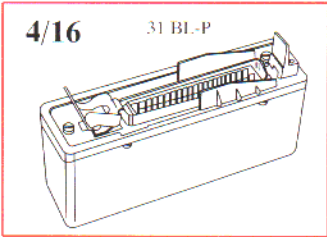
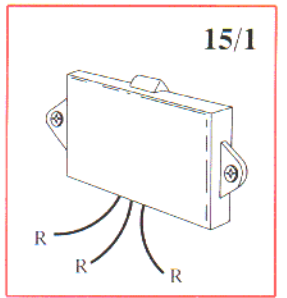
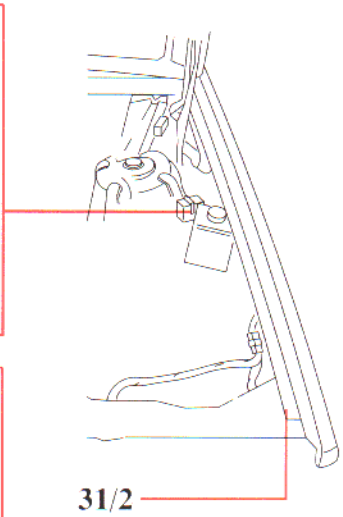
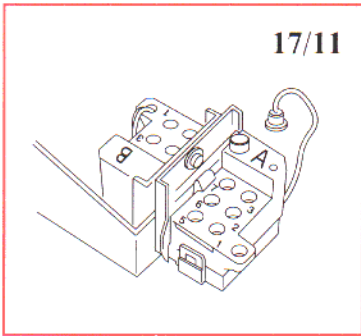
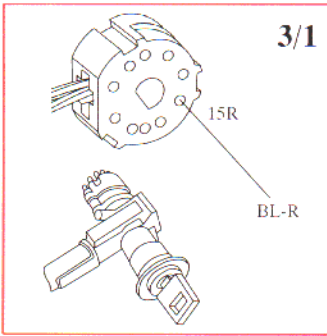


15/1

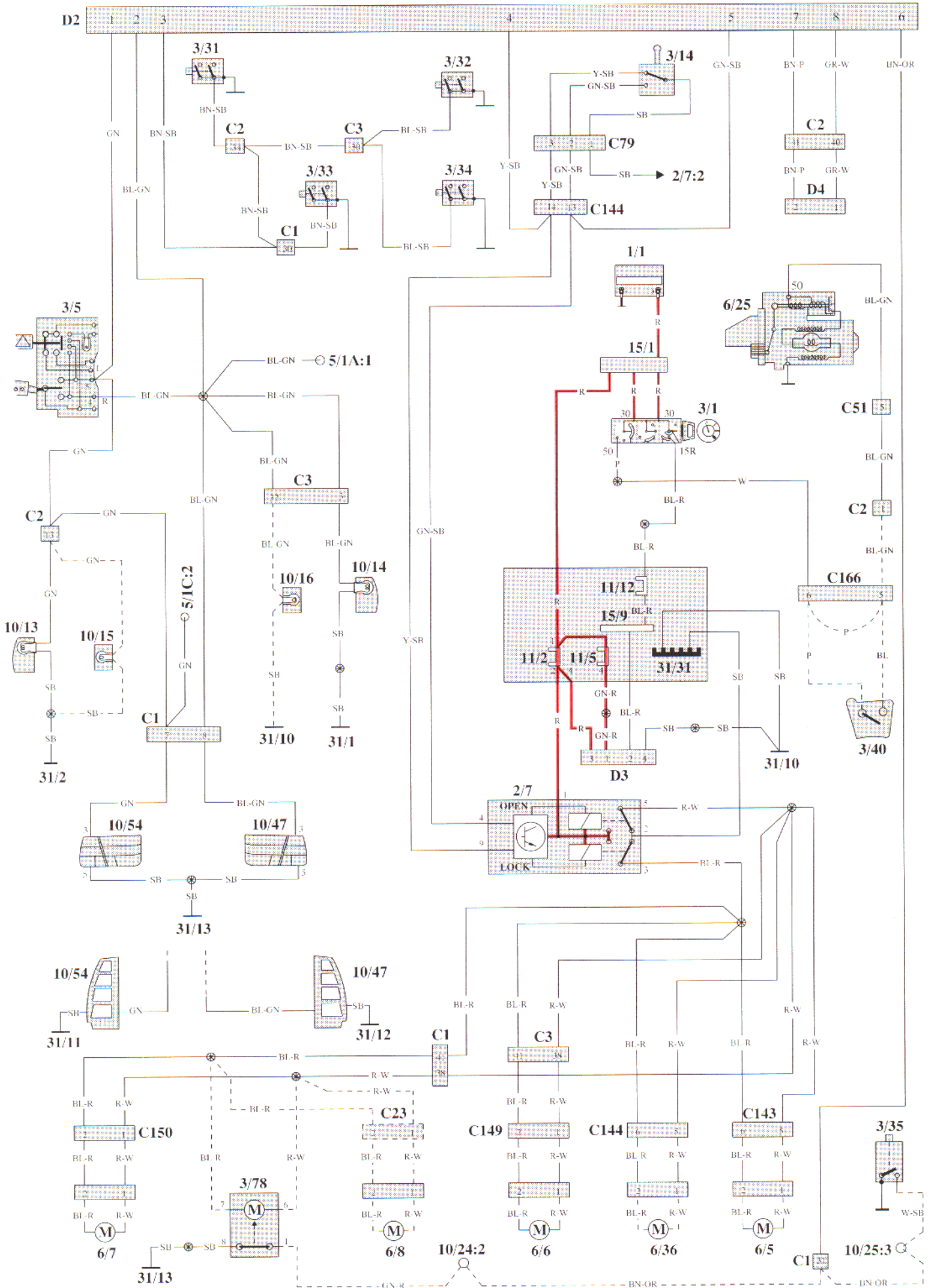


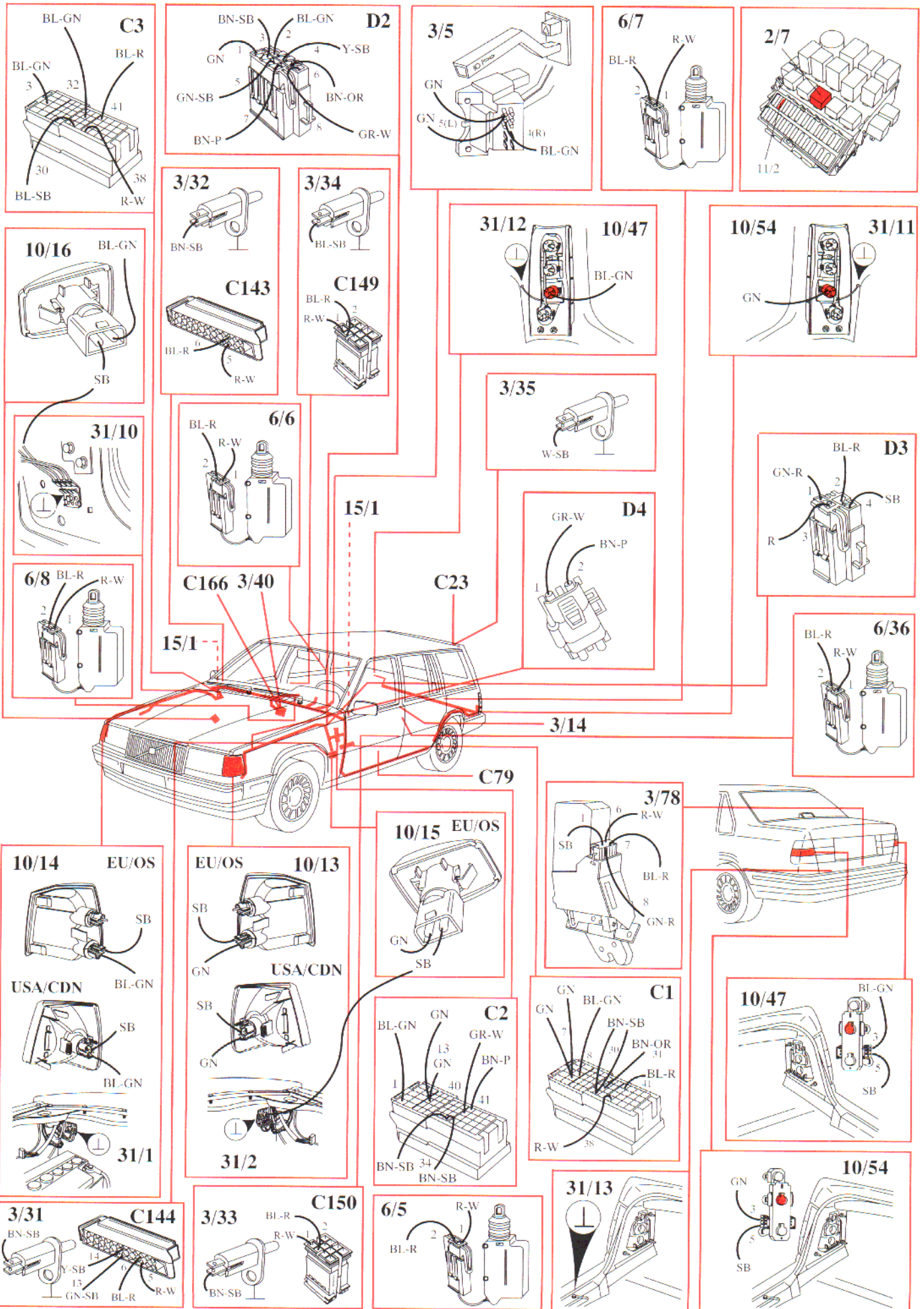
On-board diagnosis (OBD)





Pre-routed wiring for anti-theft alarm





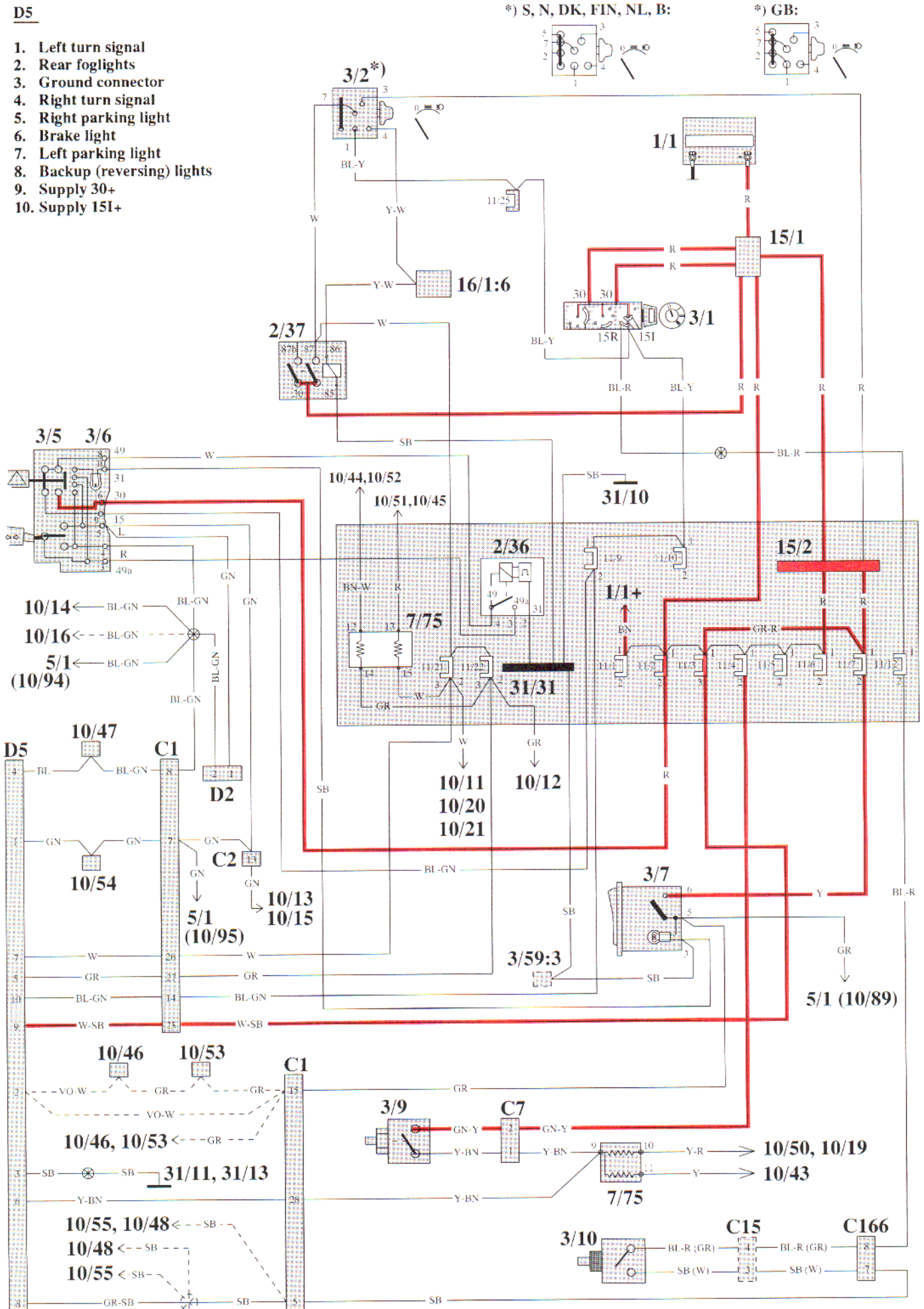
Pre-routed wiring for towing hook

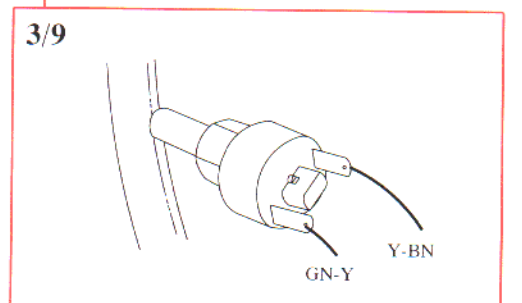
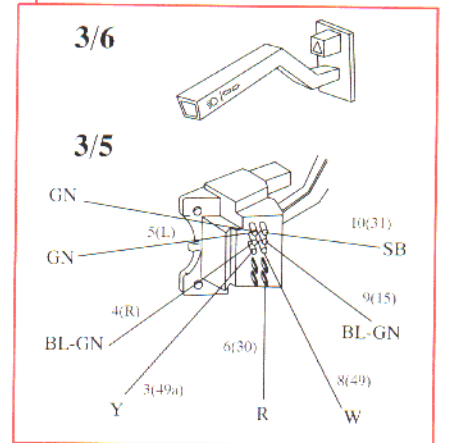
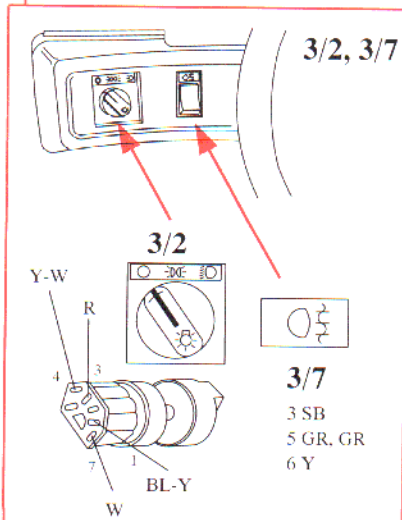
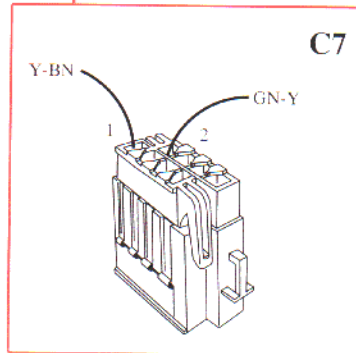
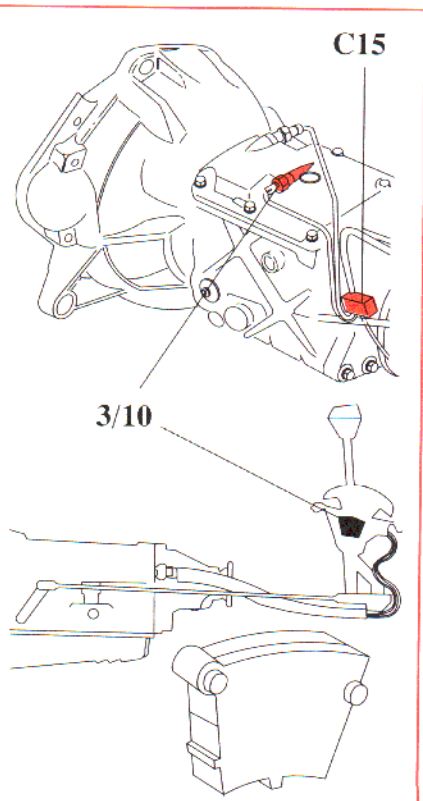
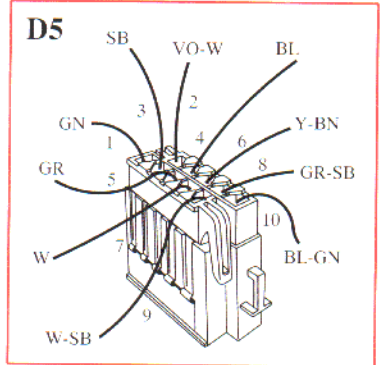
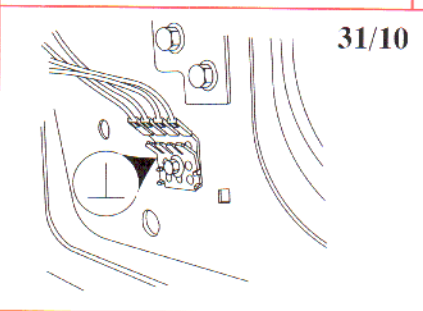
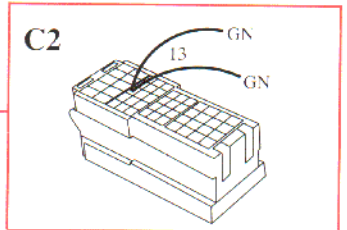
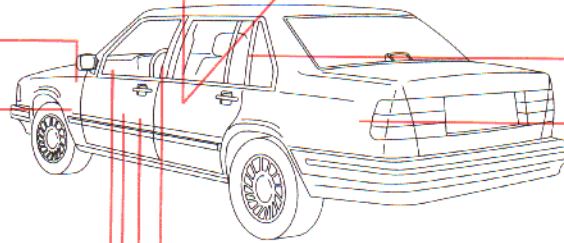
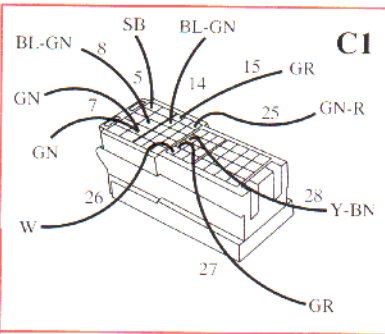
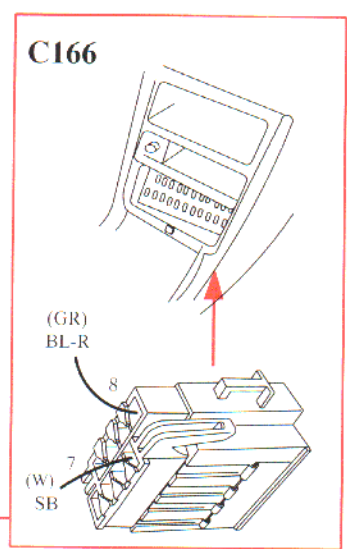
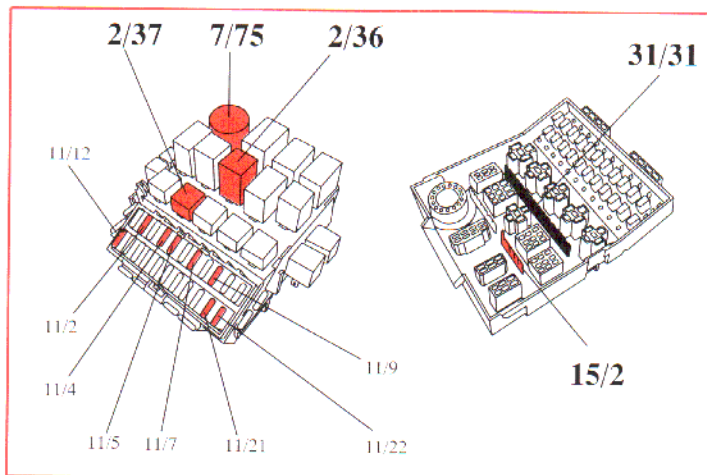
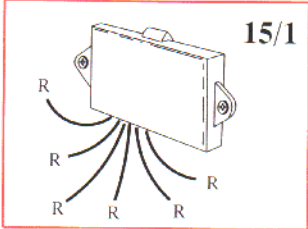
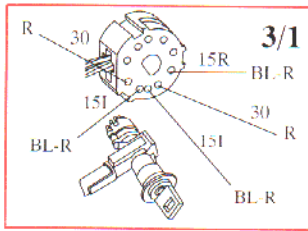
D5

*) S, N, DK, FIN, NL, B:

*) GB:

1. Left turn signal
2. Rear foglights
3. Ground connector
4. Right turn signal
5. Right parking light
6. Brake light
7. Left parking light
8. Backup (reversing) lights
9. Supply 30+
10. Supply 15I+

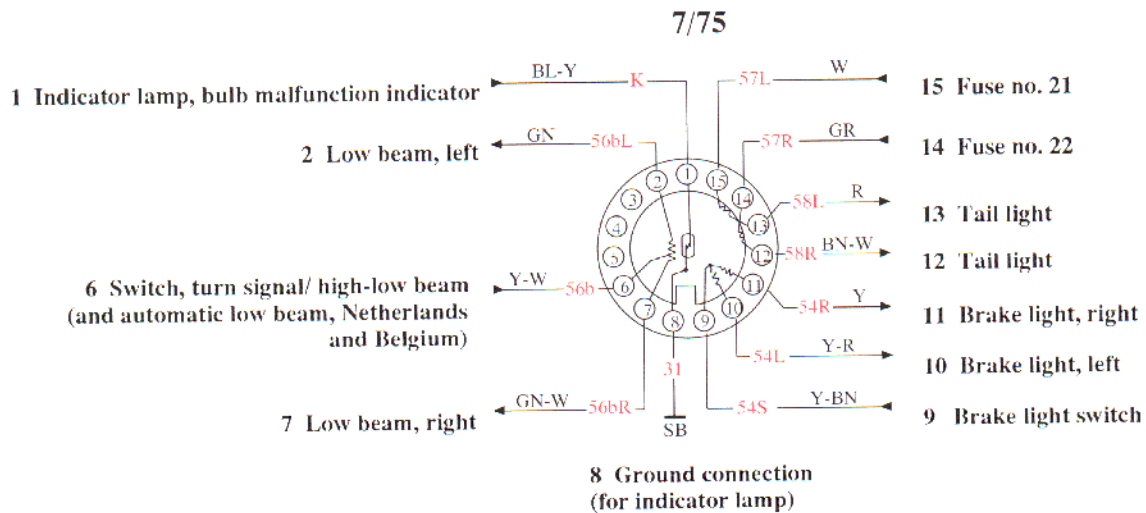
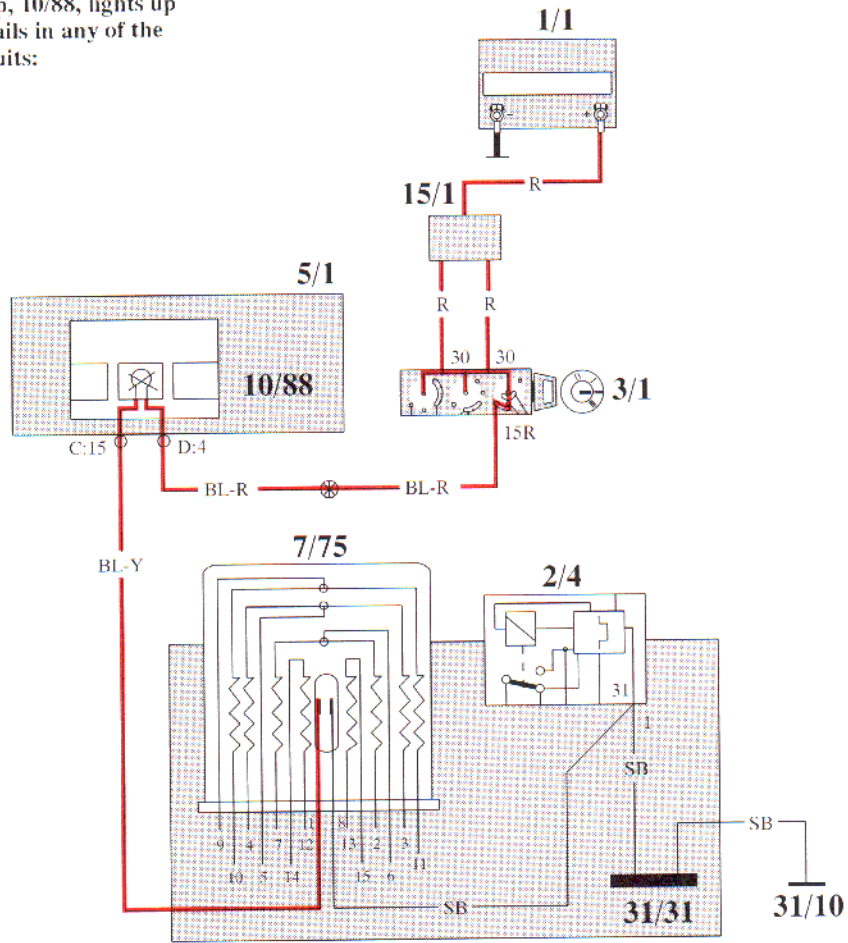


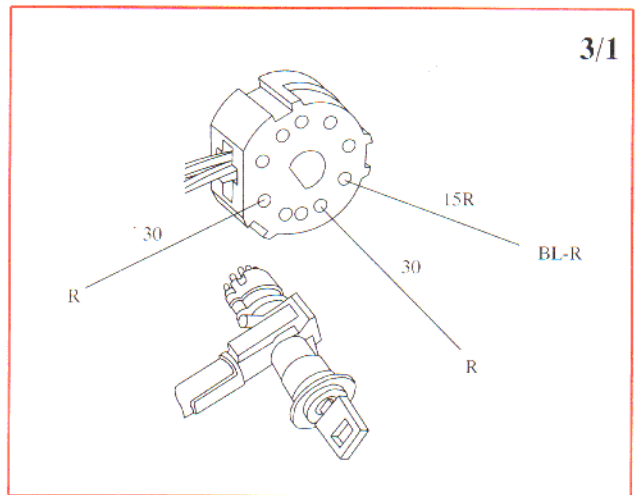
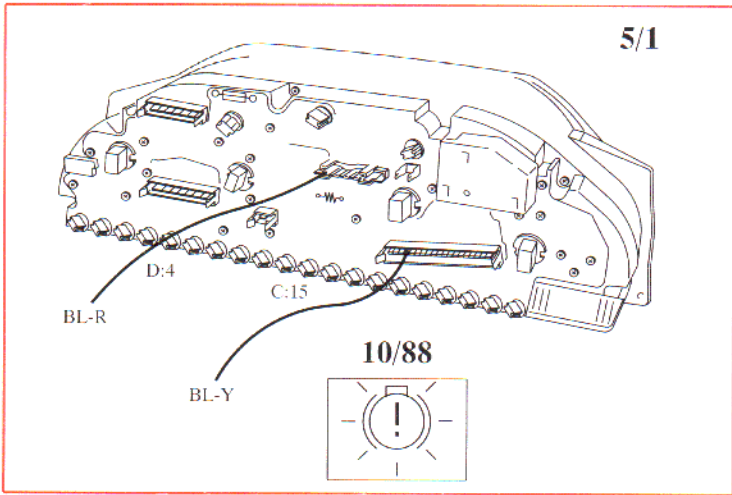


Bulb malfunction indicator

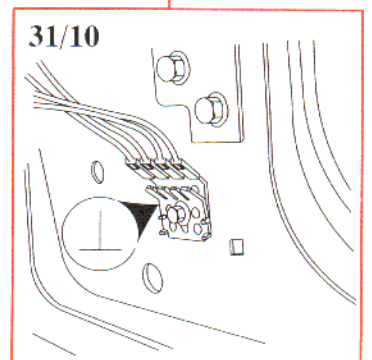
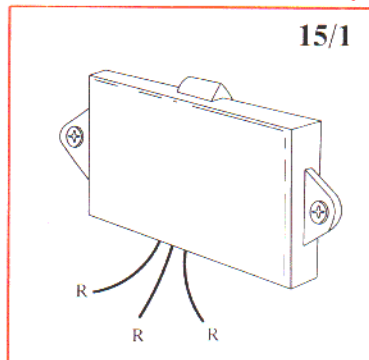
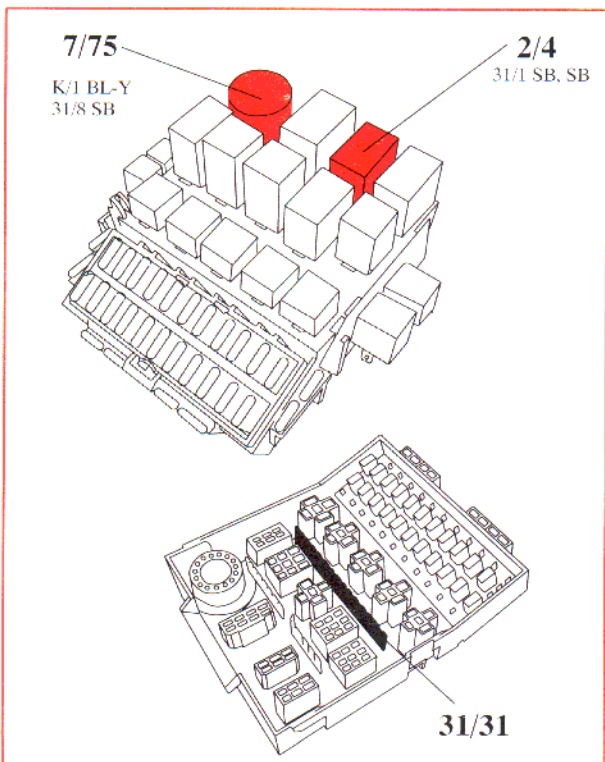
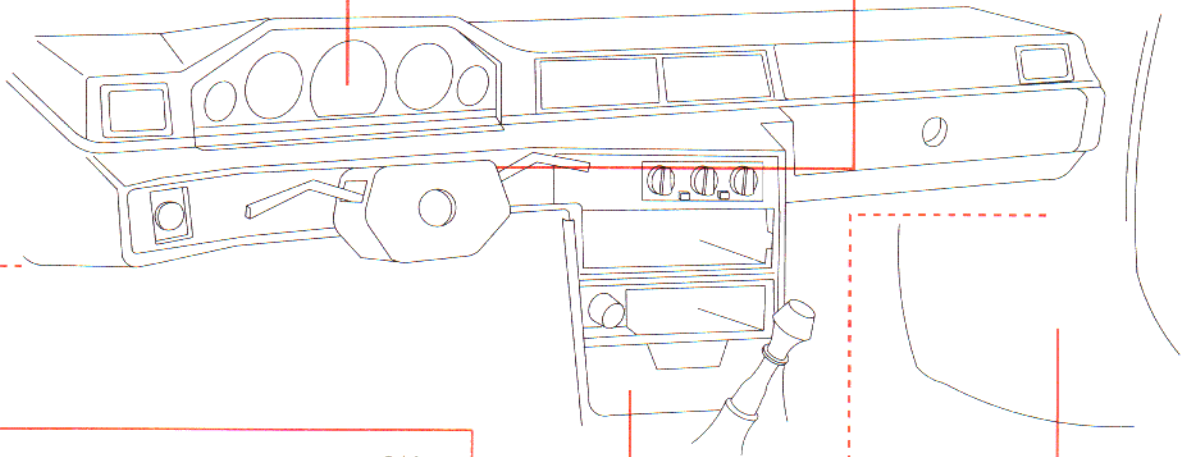
Indicator lamp, 10/88, lights up when a bulb fails in any of the following circuits:

- Brake light
- Low beam
- Tail light





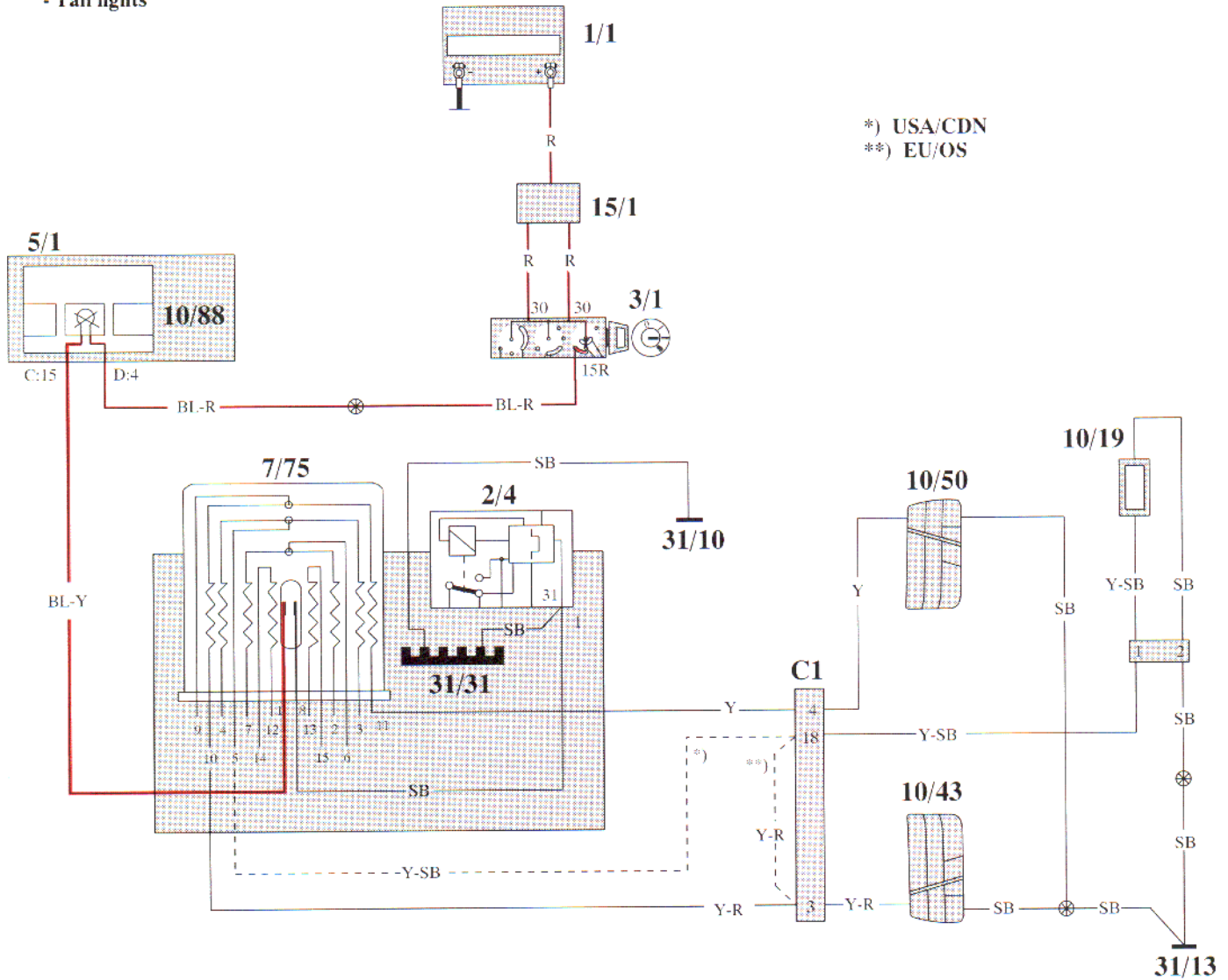
15/1



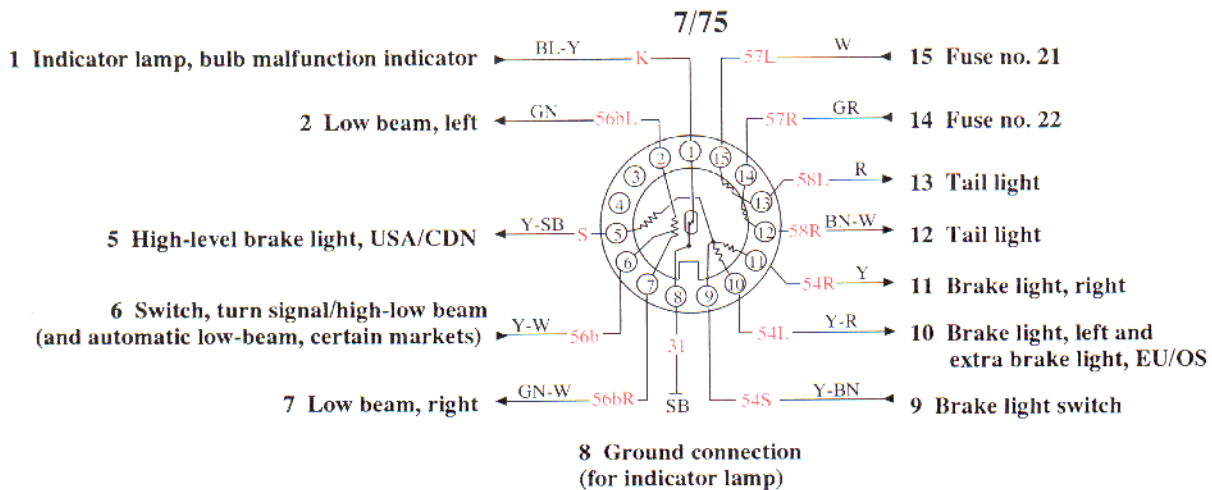
Bulb malfunction indicator for cars with extra brake light

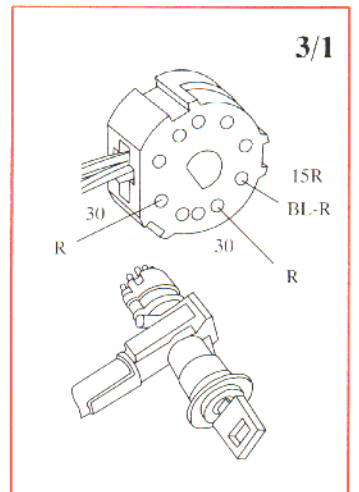
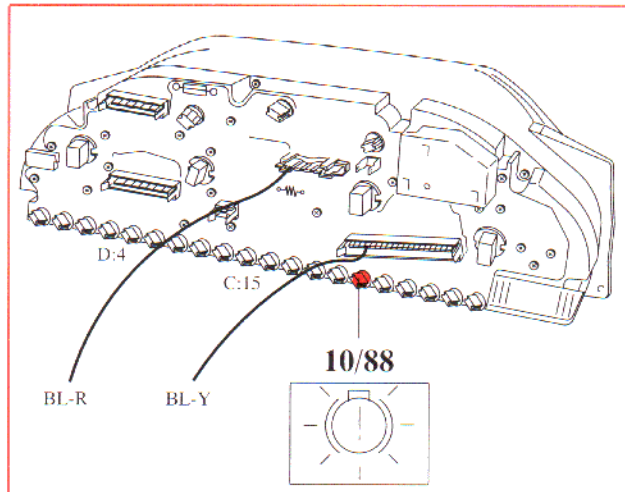
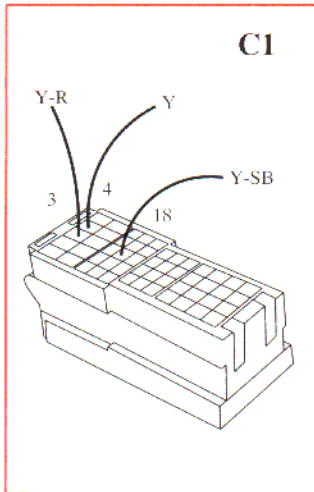
Indicator lamp, 10/88, lights up when a bulb fails in any of the following circuits:

- Brake lights
- Low beam
- Tail lights

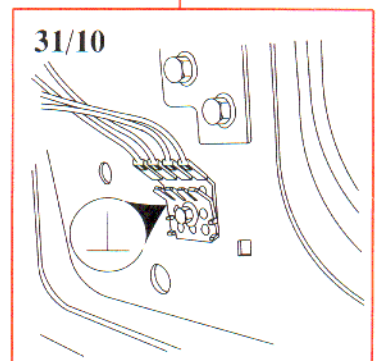
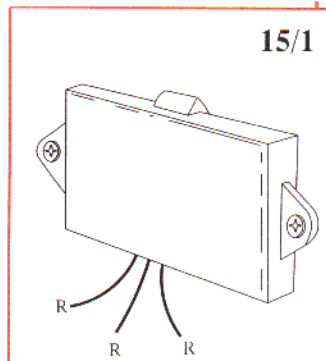
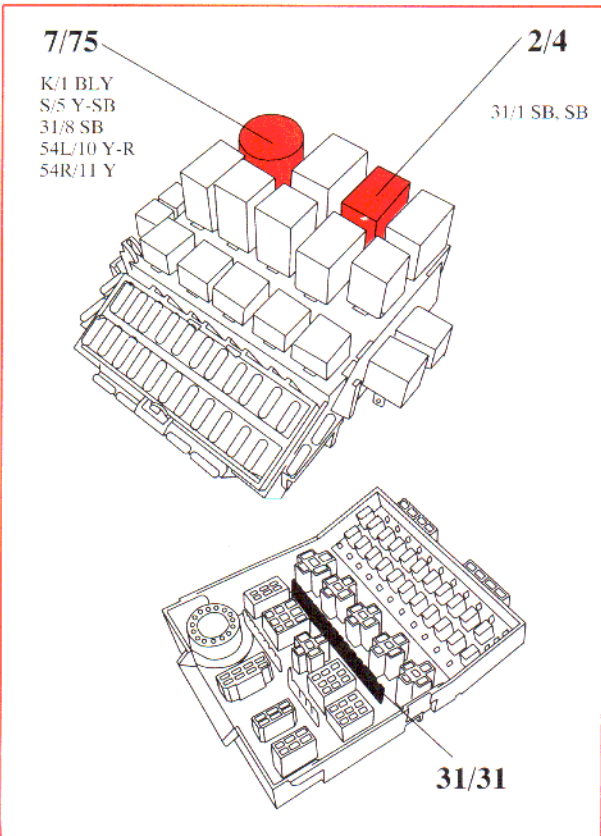
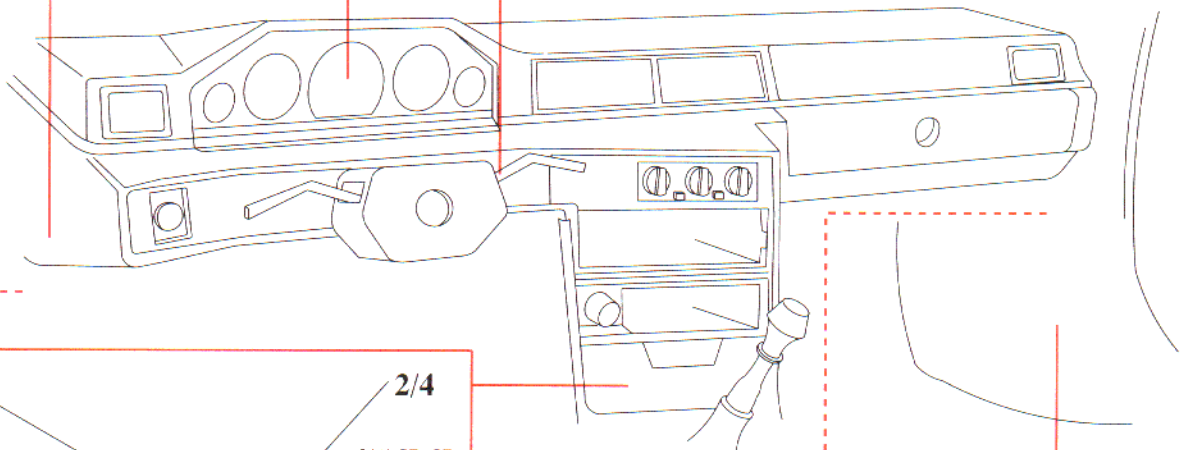


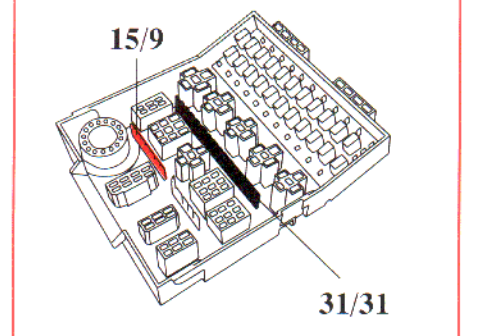
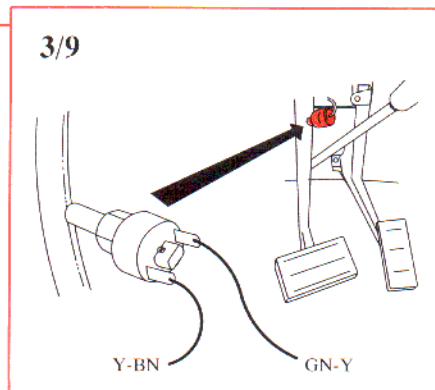
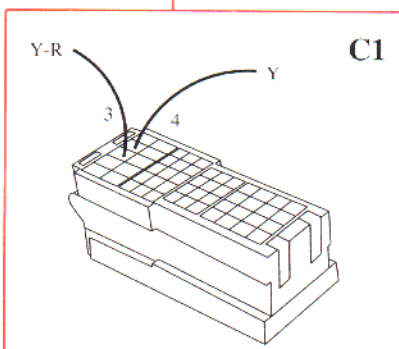
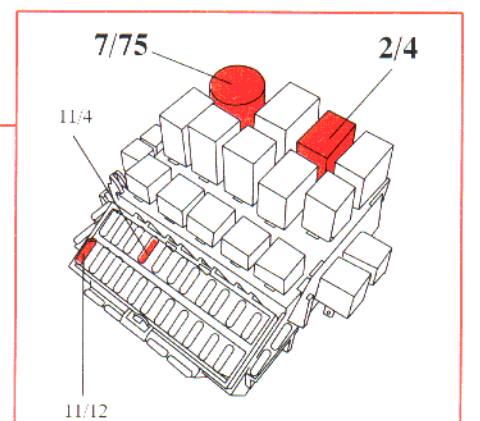
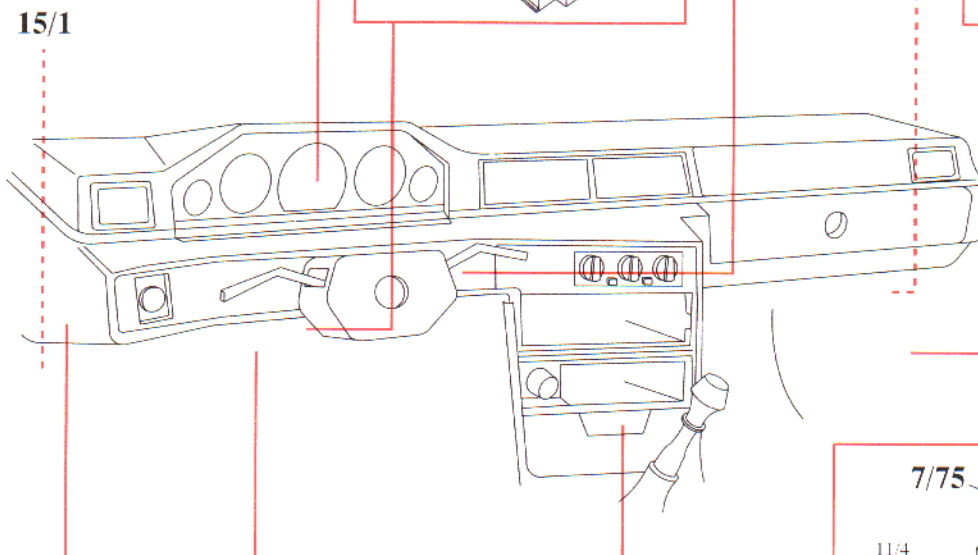
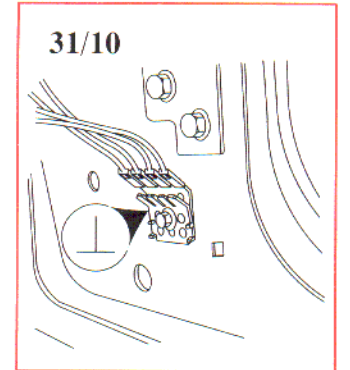
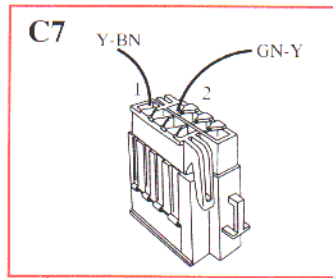
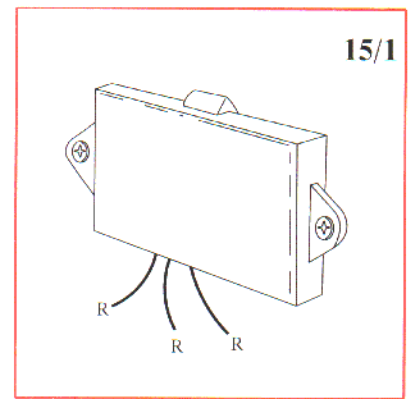
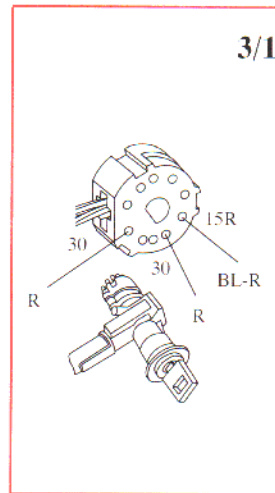
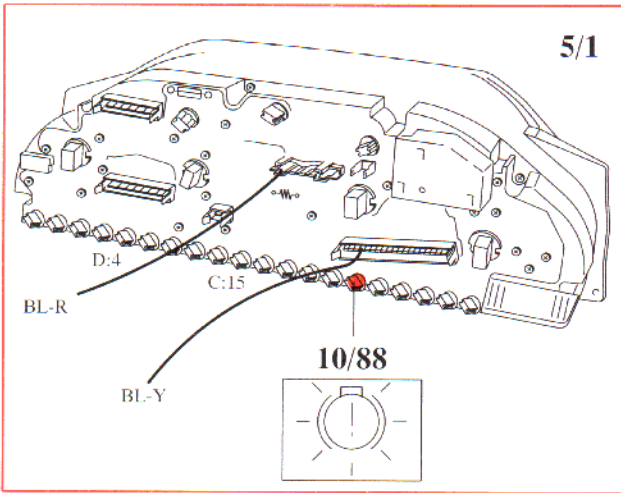
*) USA/CDN
**) EU/OS





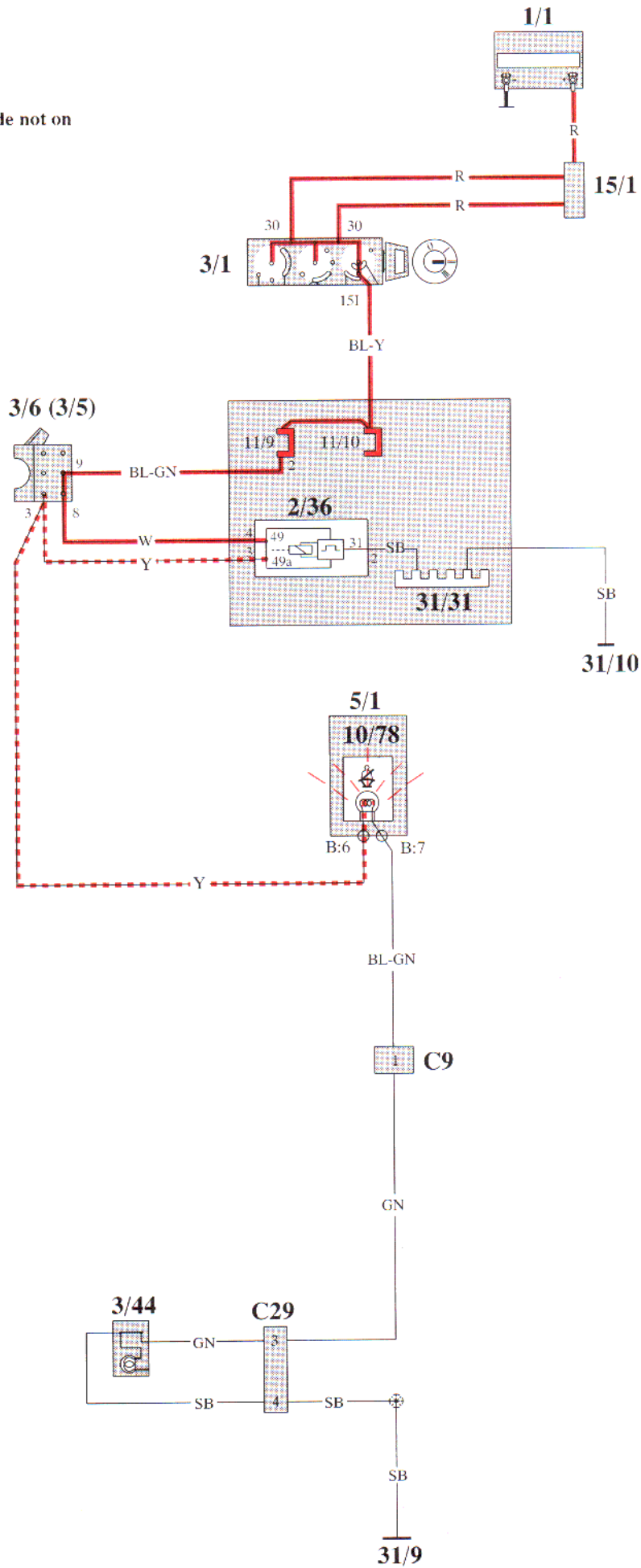
15/1

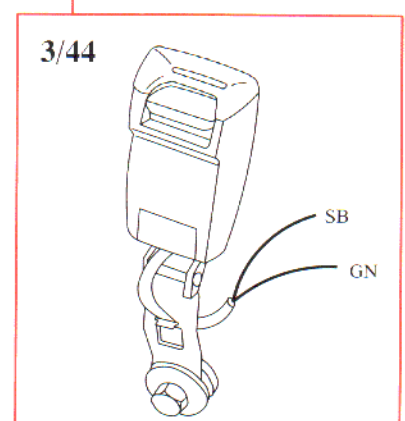
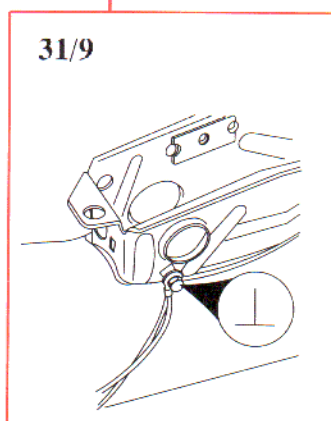
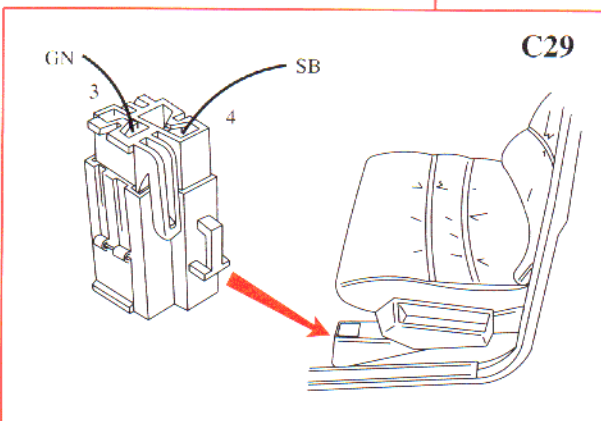
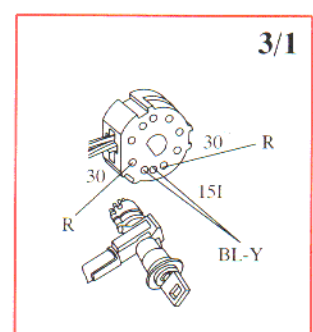
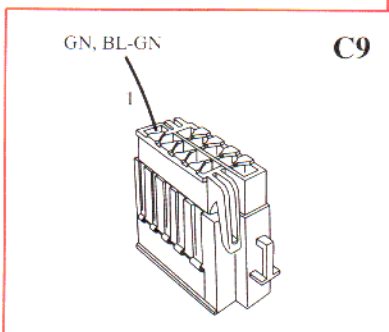
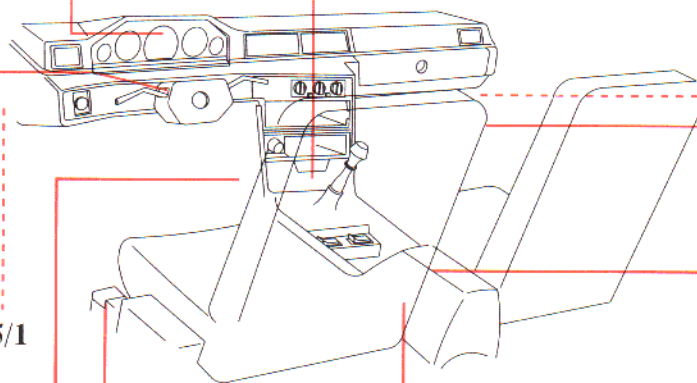
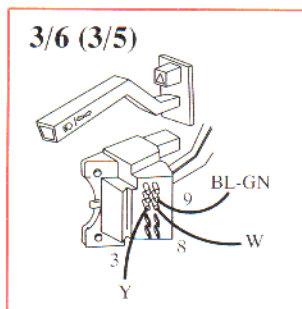
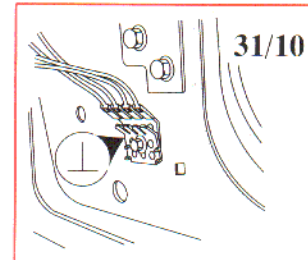
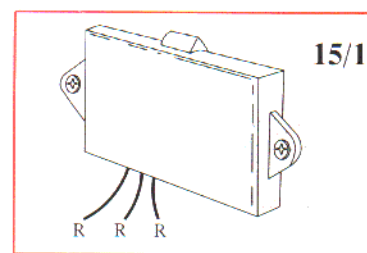
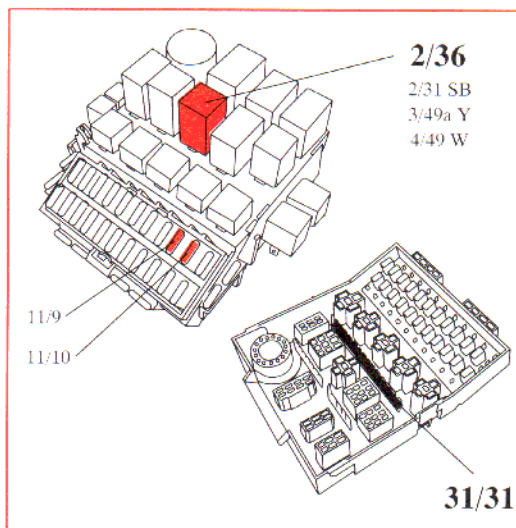
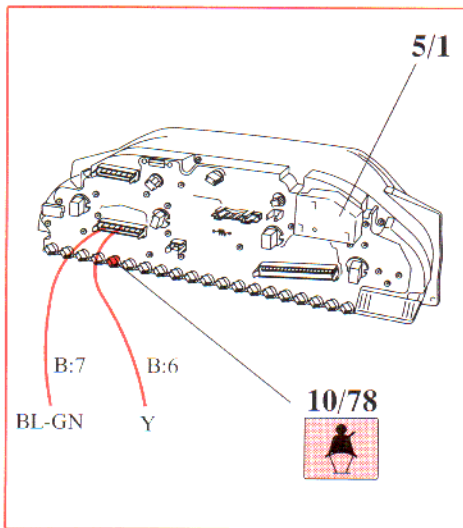




Seat belt reminder

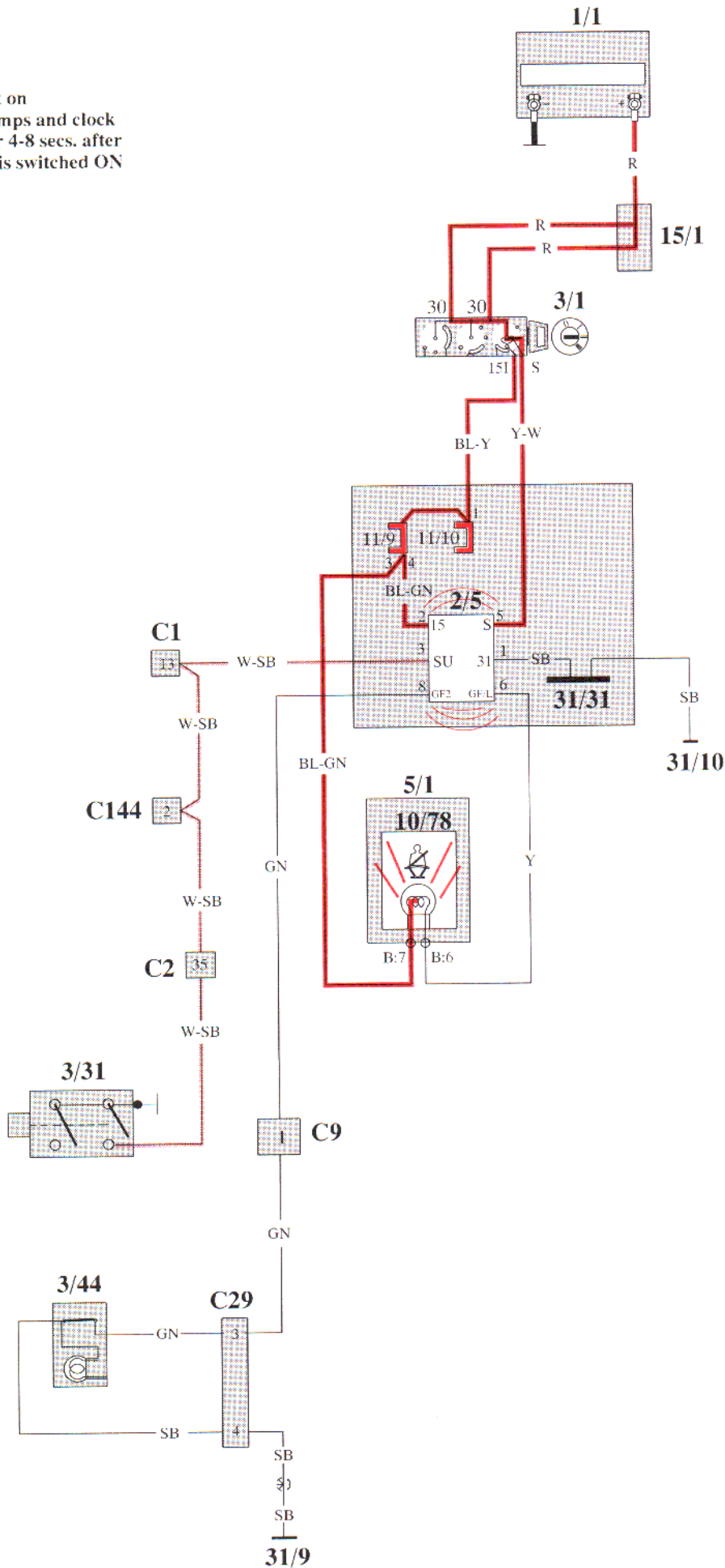
Ignition ON
Seat belt driver's side not on

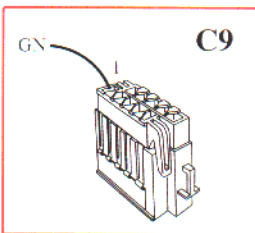
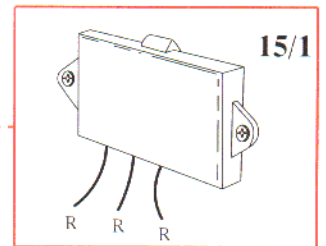
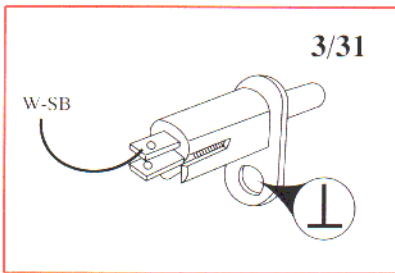
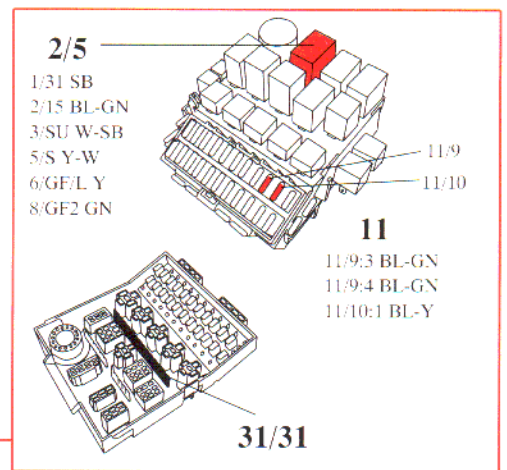
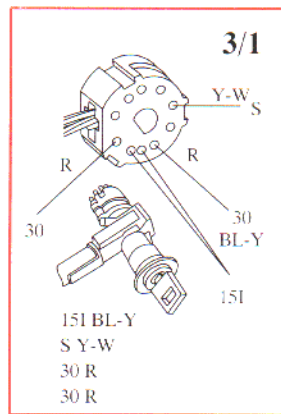
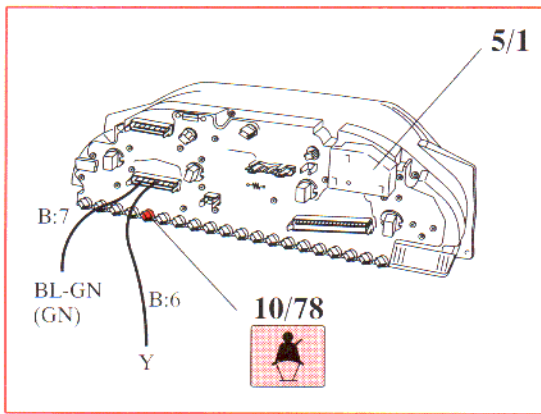




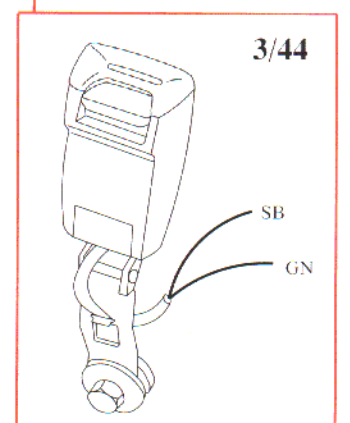
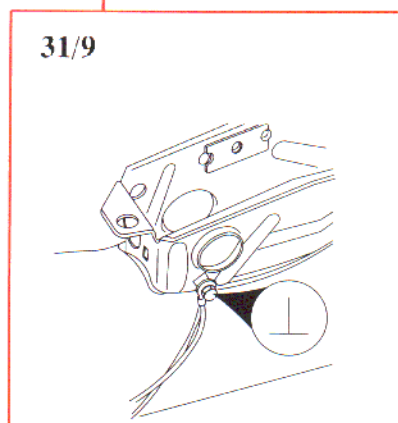
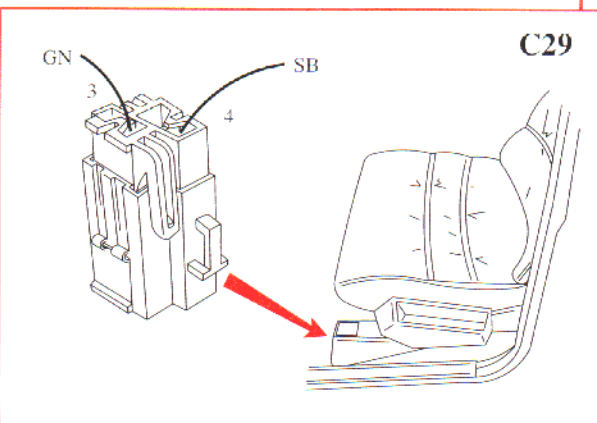
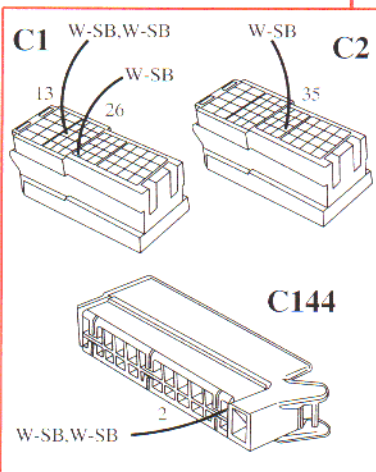
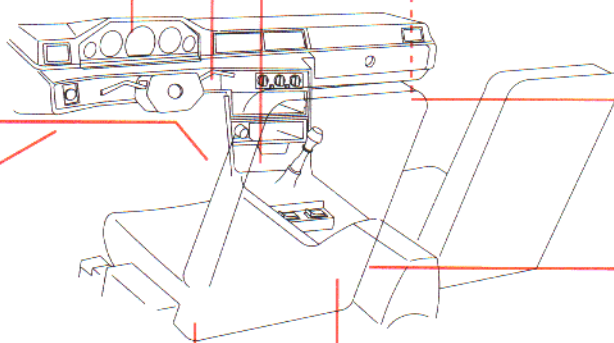
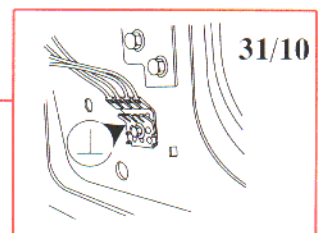
Seat belt reminder with ignition key warning, USA, Canada, Korea

Ignition ON
 Seat belt not on
 Indicator lamps and clock
 activated for 4-8 secs. after
 the ignition is switched ON





15/1



Combined instrument

Instrument panel lamps

10/74	Warning lamp, exhaust gas temperature	10/82	Warning lamp, ABS	10/89	Warning lamp, rear foglights
10/75	Warning lamp, turbodiesel charge pressure	10/83	Warning lamp, parking brake	10/90	Warning lamp, washer fluid level
10/76	Warning lamp, diesel preheating	10/84	Warning lamp, brake warning	10/91	Service indicator
10/77	Warning lamp, SRS	10/85	Warning lamp, high beam	10/92	Warning lamp, trailer
10/78	Warning lamp, seat belts	10/86	Warning lamp, oil pressure	10/93	Warning lamp, malfunction indicator lamp (MIL)
10/79	Warning lamp, overdrive (aut.)/Gearshift indicator	10/87	Warning lamp, charging	10/94	Warning lamp, right turn signal
10/80	Warning lamp, overdrive (man.)	10/88	Warning lamp, bulb malfunction indicator	10/95	Warning lamp, left turn signal

5/1A 8-pin connection

- 1 Right turn signal (BL-GN)
- 2 Reference ground, ground connector, left A-post (BN-GR)
- 3, 4 -
- 5 Instrument and control lighting (W)
- 6 Ignition coil socket 1 or generator socket W (R-W)
- 7 Engine coolant temp. (ECT) sensor (Y-SB)
- 8 Engine coolant temp. (ECT) sensor (Y-W)

5/1C 18-pin connection

- 1 Supply 30+ (GN-R)
- 2 Left turn signal (GN)
- 3 Fuel level sensor (GR-W)
- 4 Fuel level sensor (BN)
- 5 Rheostat adjustment pos. 2 (GN-BN)
- 6, 7, 8 -
- 9 Control module, (MFI) fuel system pos. 22, control module (DI) ignition system pos. 3 (BN-W)
- 10 -
- 11 Relay, exhaust temp. sensor (W)
- 13 Washer fluid level sensor (BL-W/R-SB)
- 14 Foglight switch pos. 5 (GR)
- 15 Bulb malfunction indicator pos. 1 (BL-Y)
- 16 Generator D+ (R)
- 17 Oil pressure sensor (SB)
- 18 High beam (BL-W)

5/1D 4-pin connection

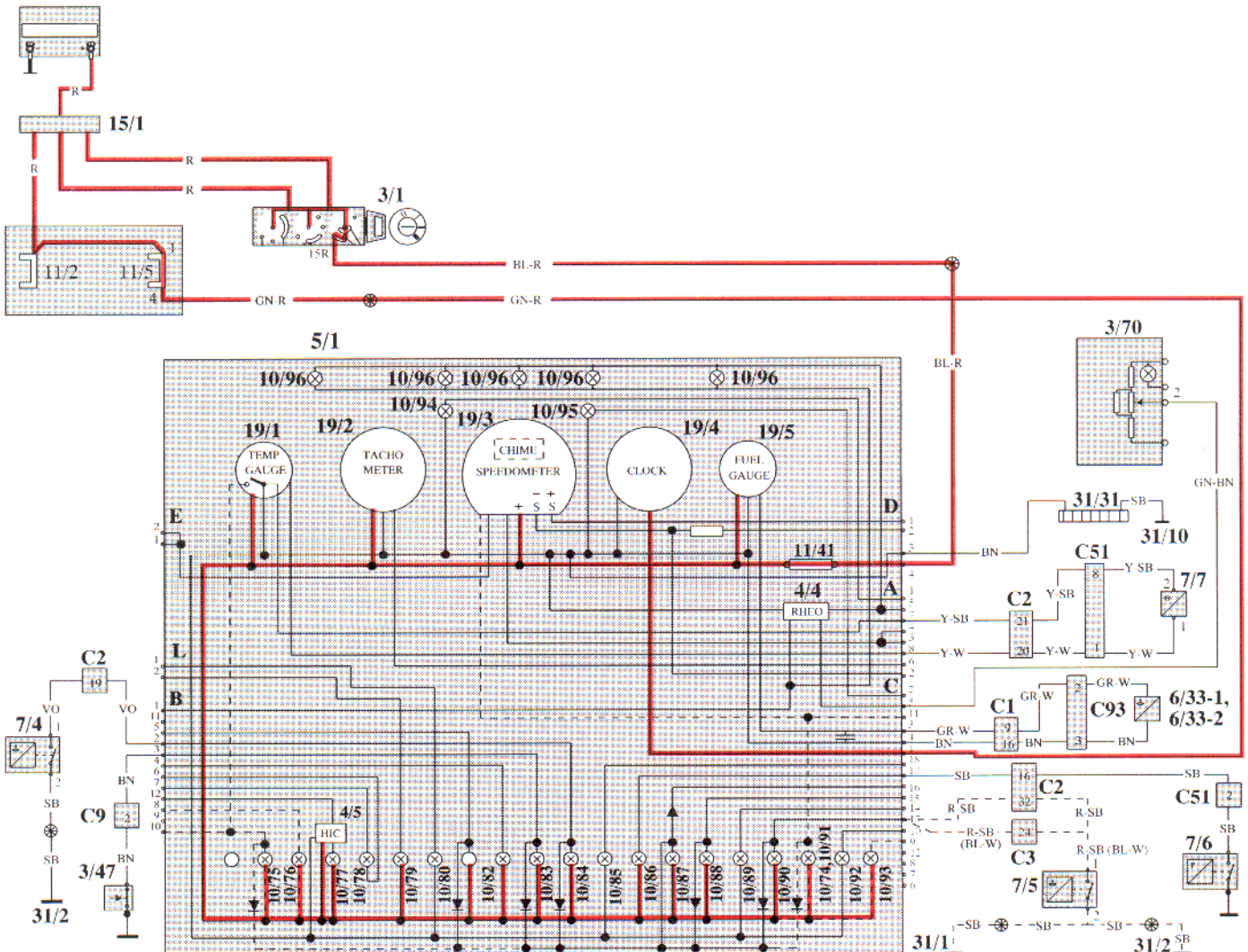
- 1 Sensor, speedometer (GN-W)
- 2 Sensor, speedometer (BN-W)
- 3 Ground connection rail in el. dist. unit (BN)
- 4 Supply 15+ (BL-R)

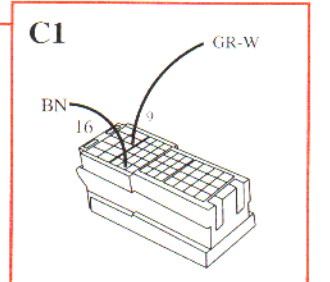
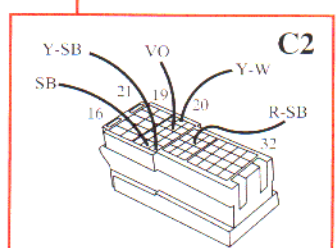
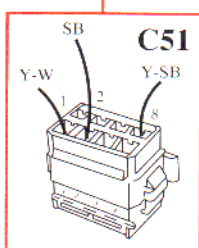
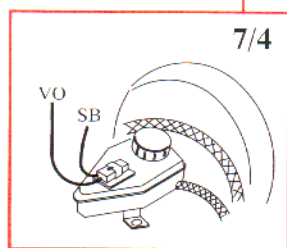
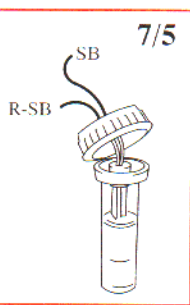
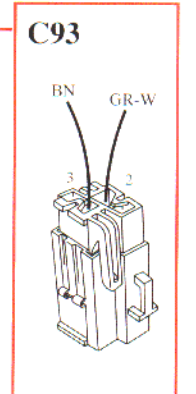
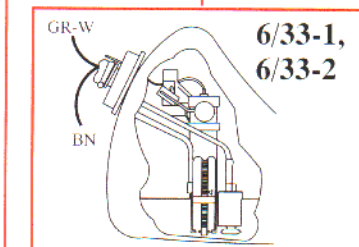
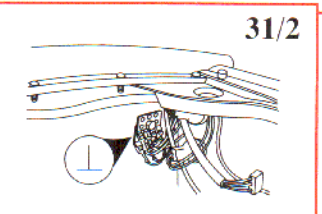
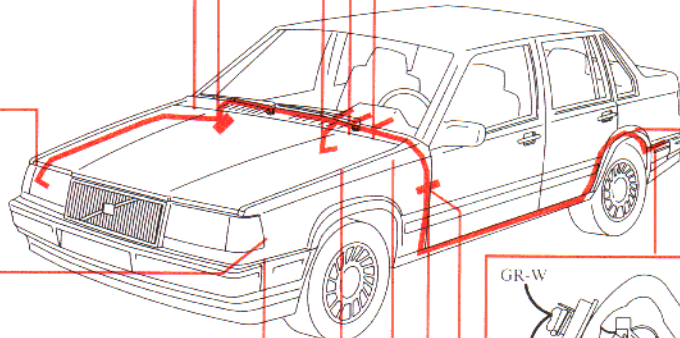
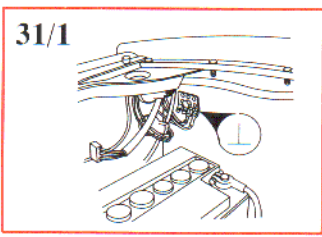
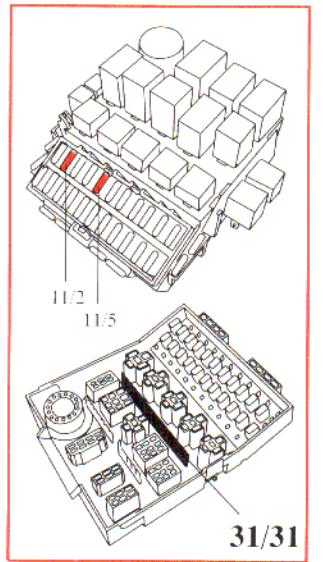
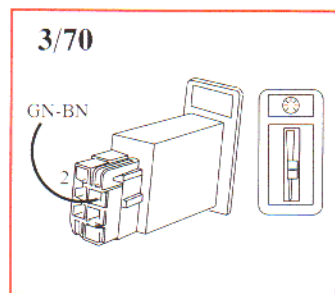
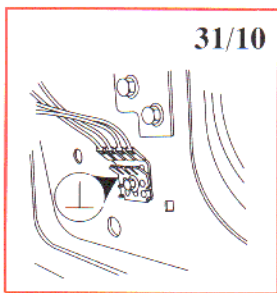
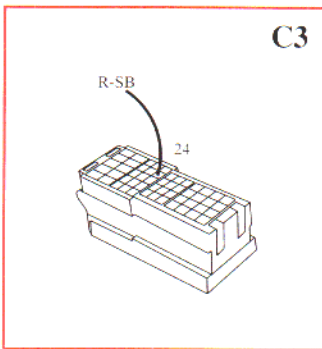
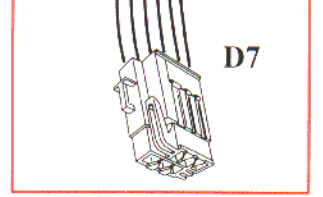
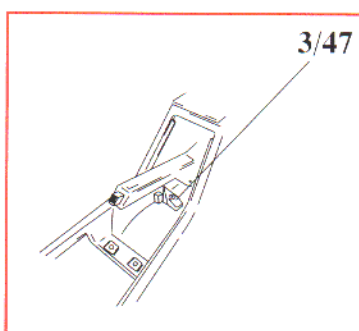
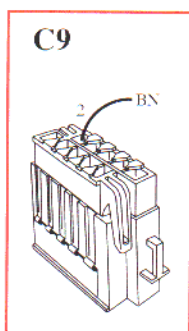
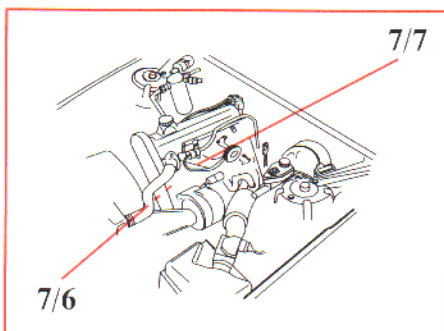
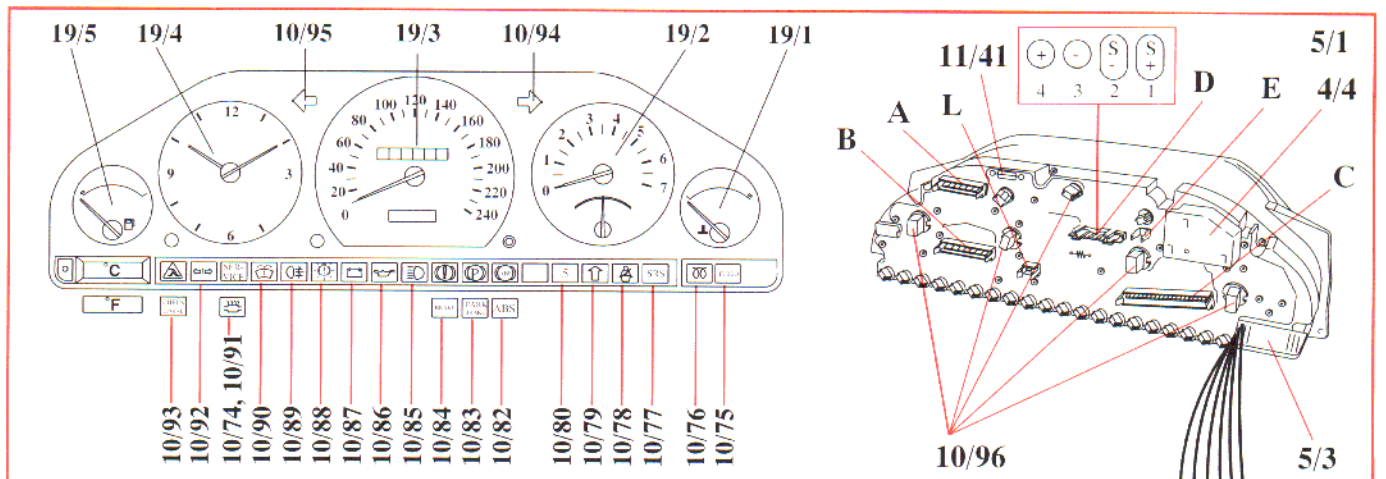
5/1E 1-pin connection

Digital socket, cruise control (GN-OR), control module ECC (Y), O/D relay (aut.)/control module (MFI) fuel system (VO-W/VO-W)

5/1I. 2-pin connection

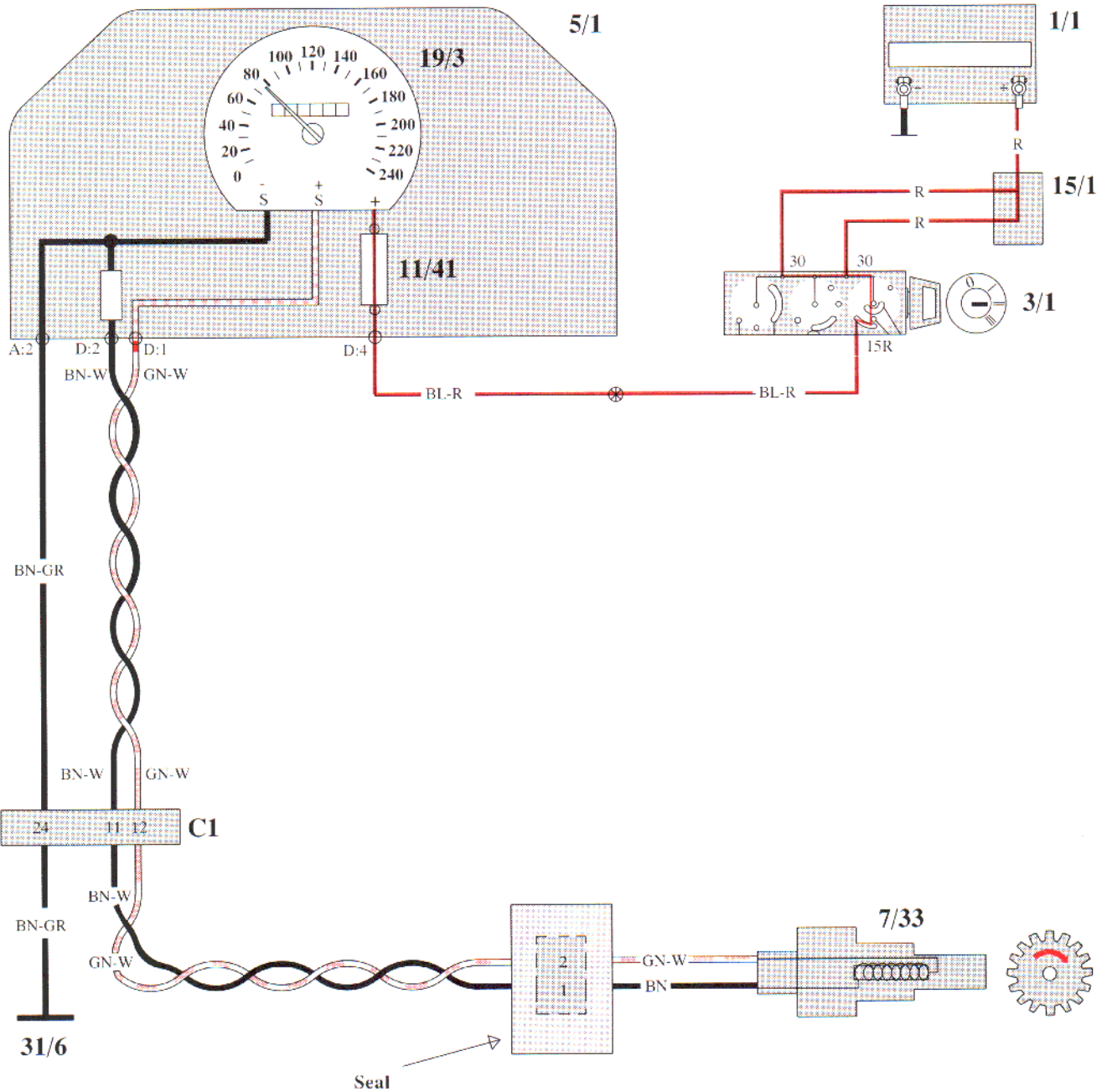
- 1 Overdrive relay (man.) pos. 9 (Y-GR)
- 2 Overdrive relay (man.) U.S.A./CDN pos. 5/ Overdrive relay (aut.) pos. 5 (Y-R/Y-R)

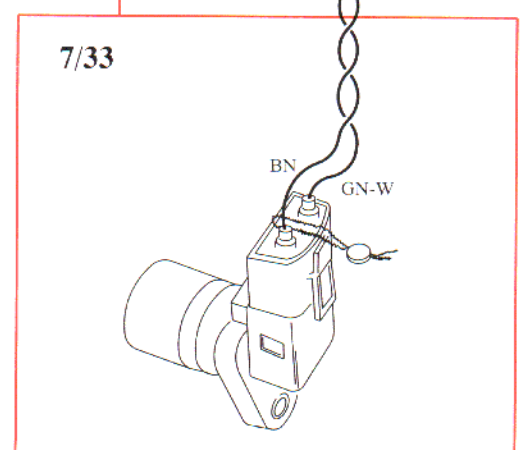
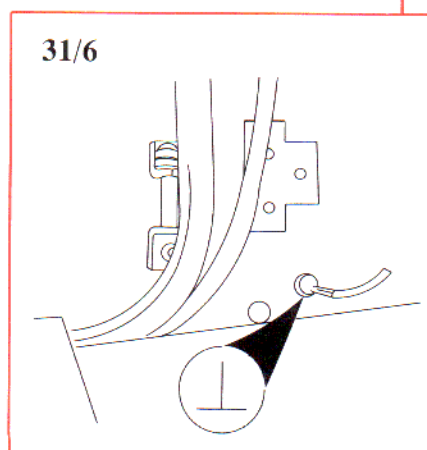
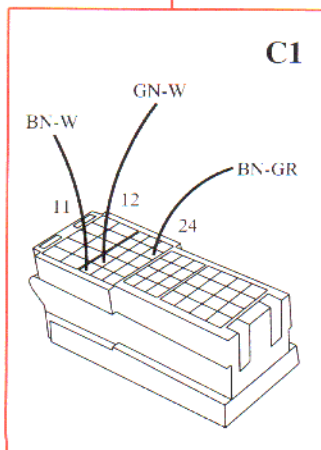
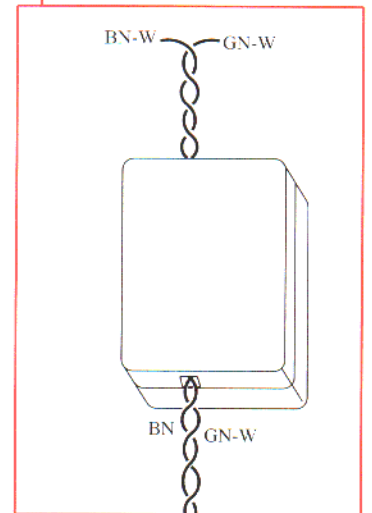
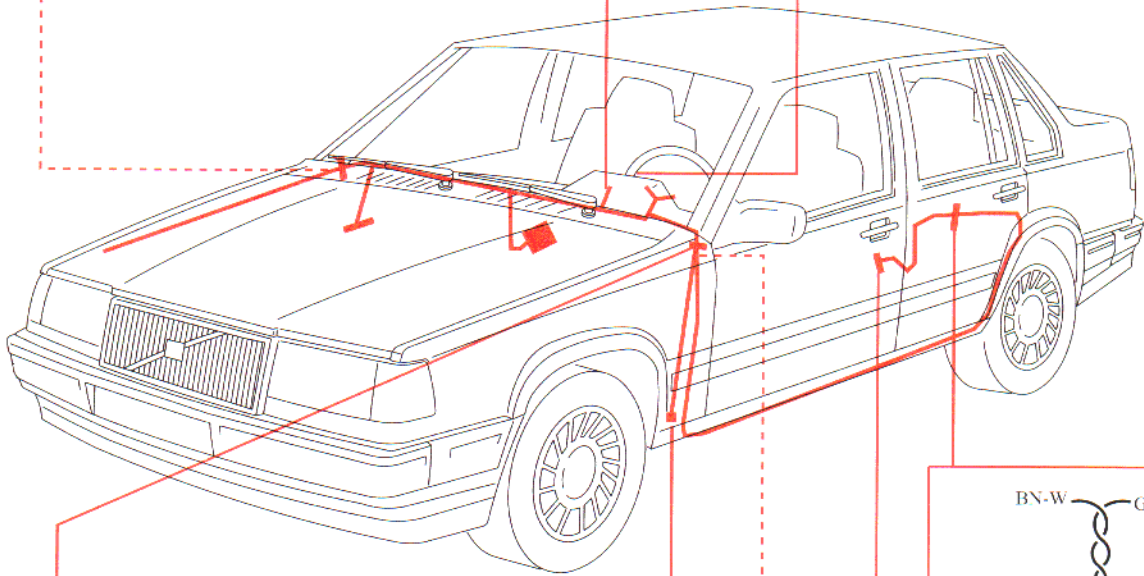
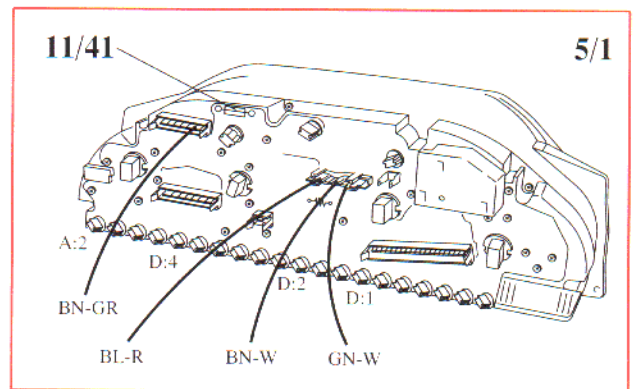
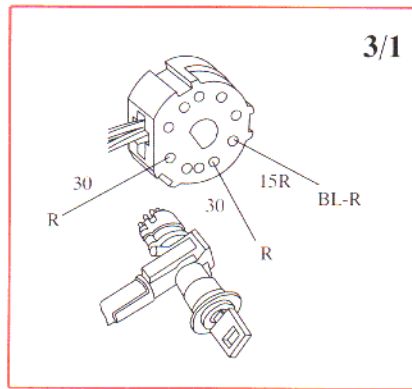
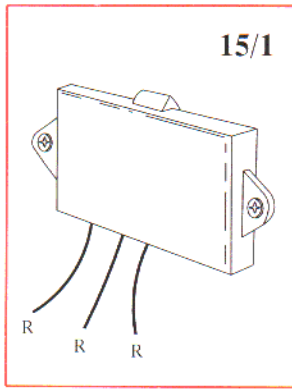




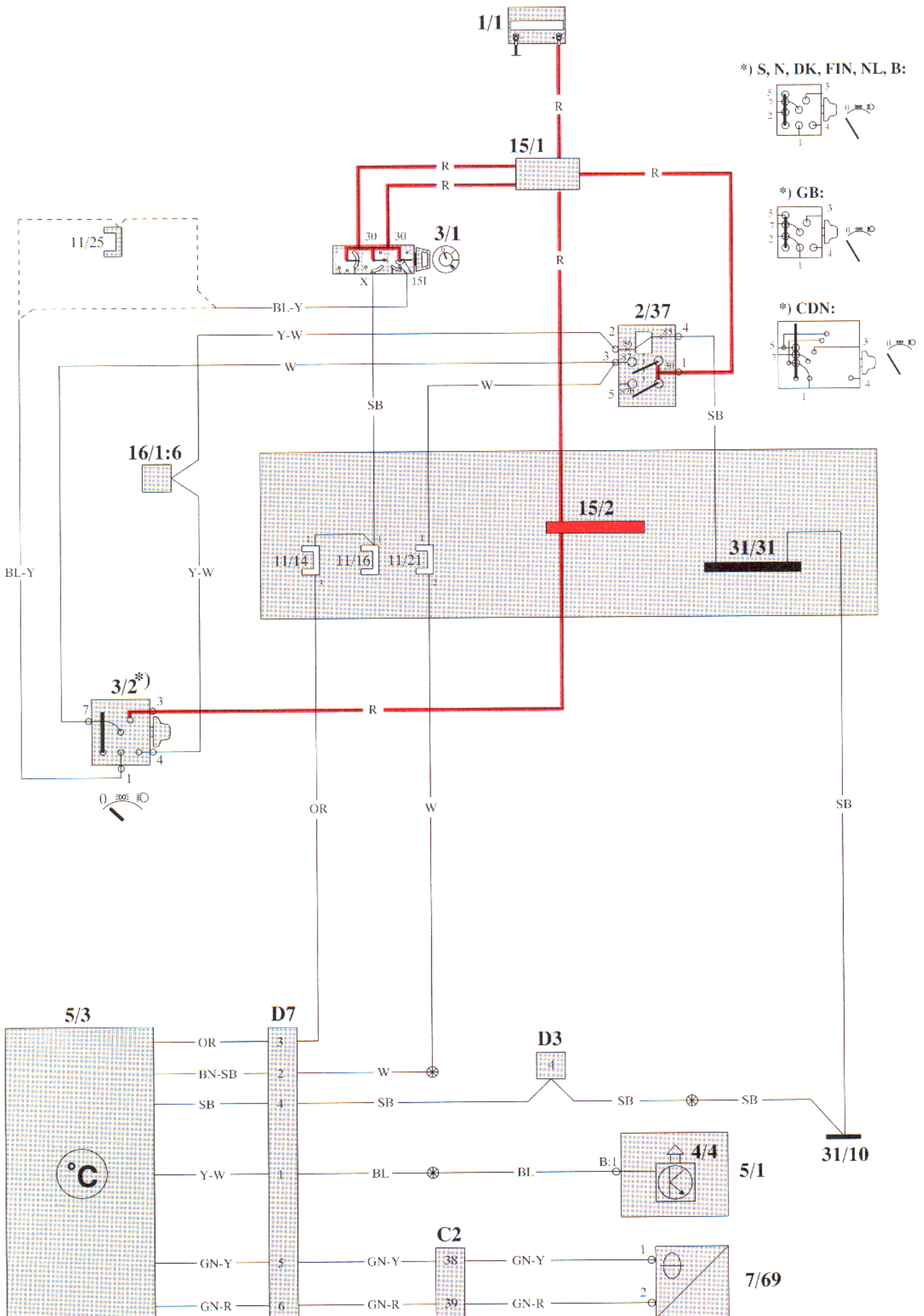
Speedometer and tripmeter

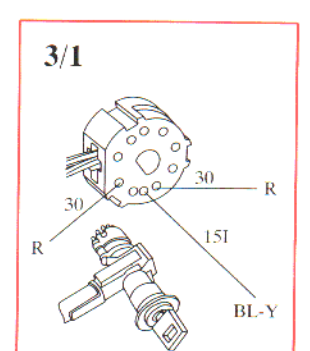
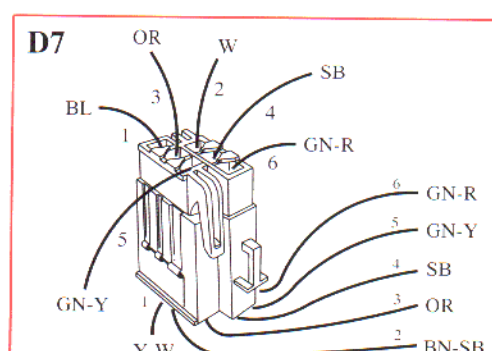
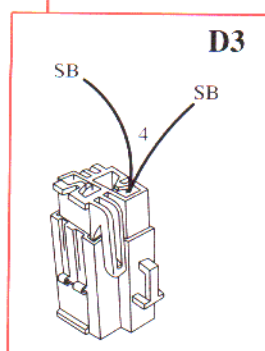
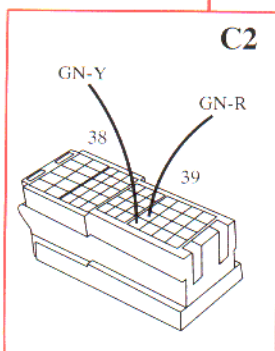
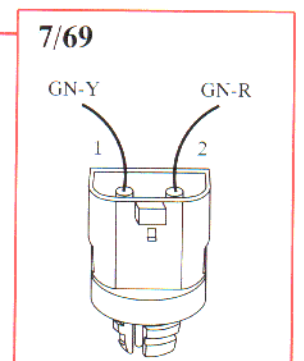
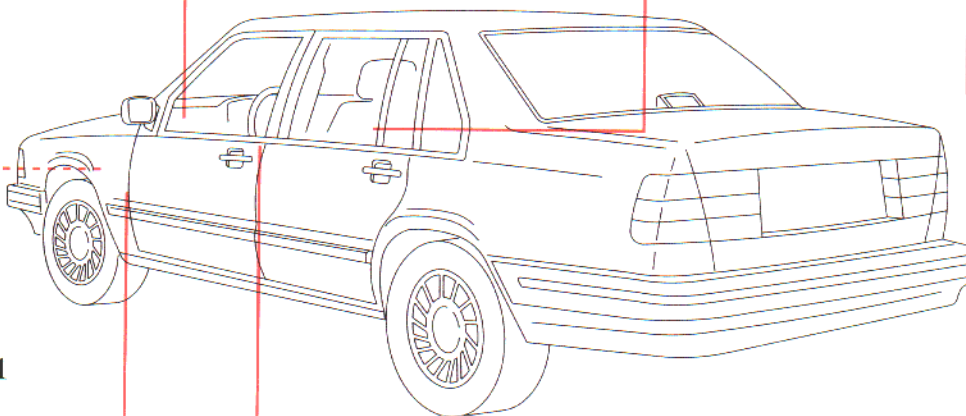
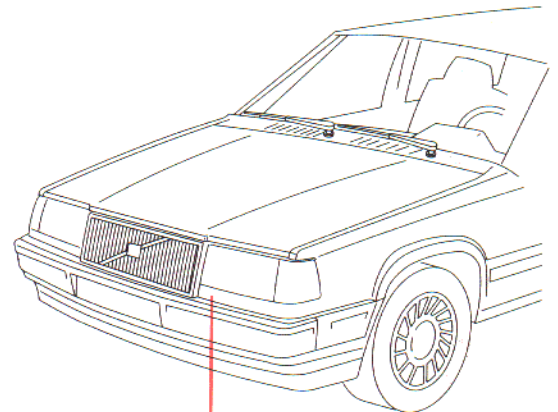
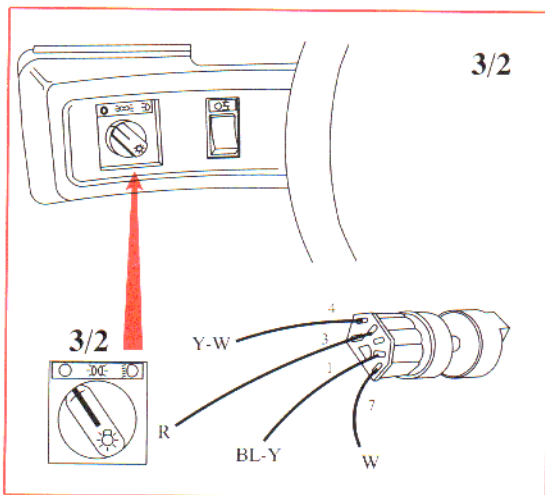
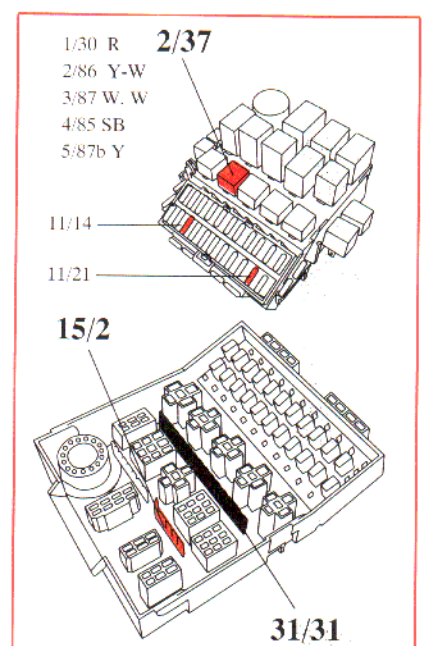
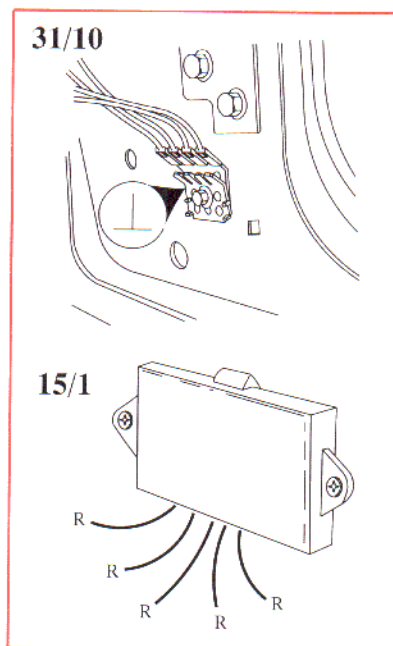
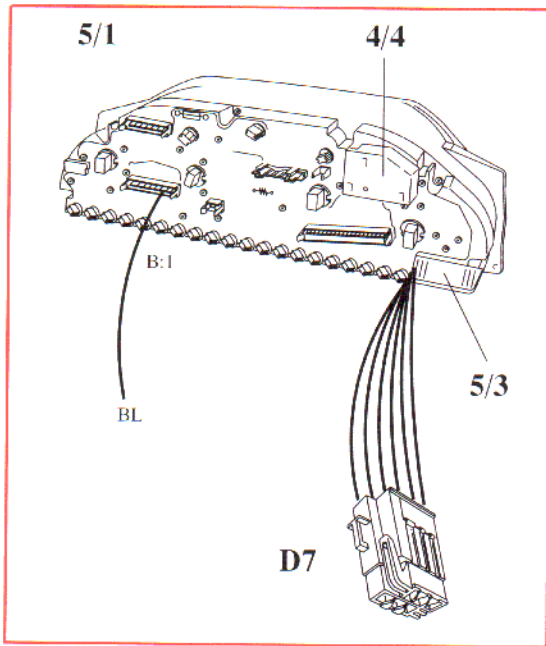
Ignition ON
Car is driven





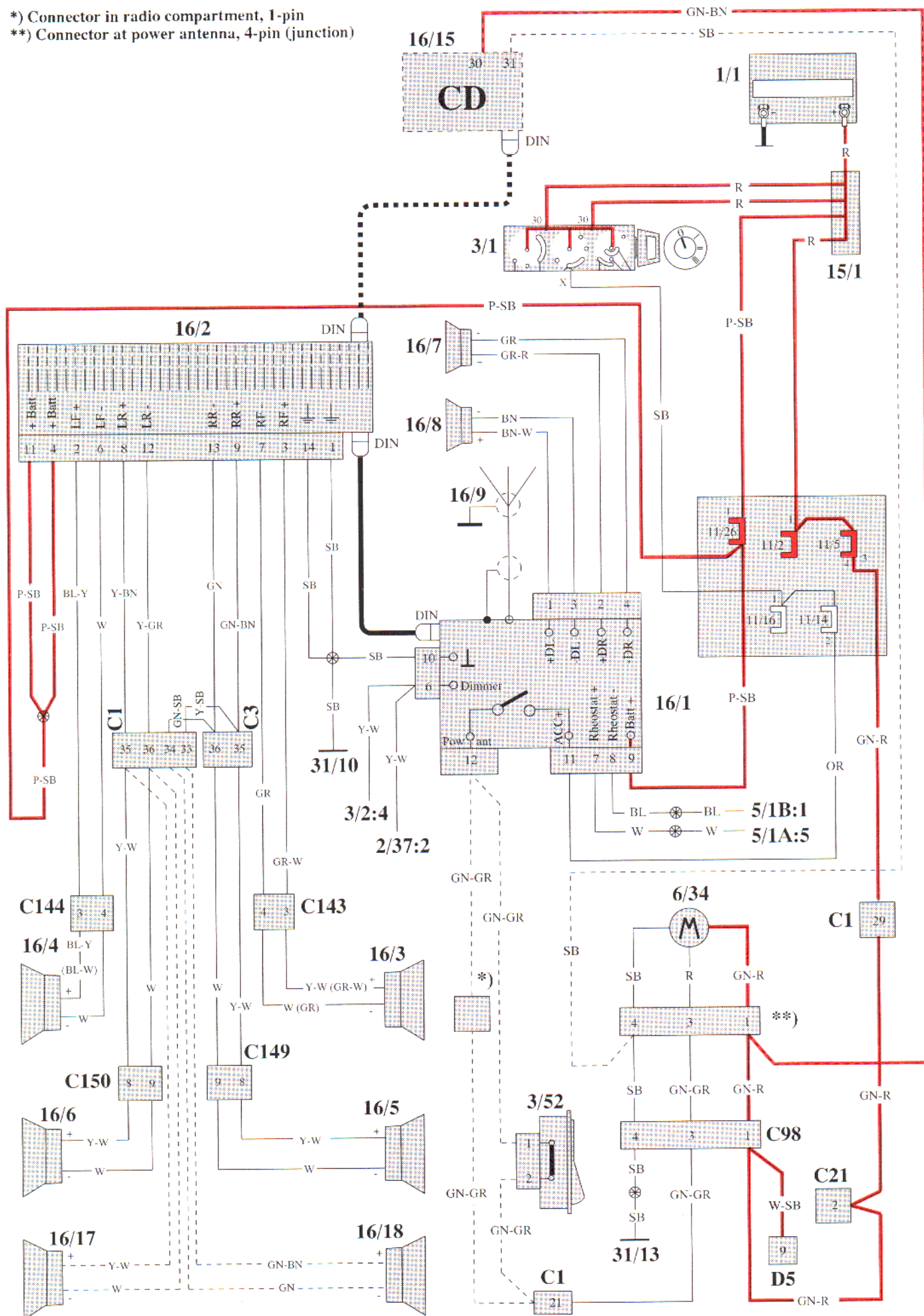
Ambient temperature gauge

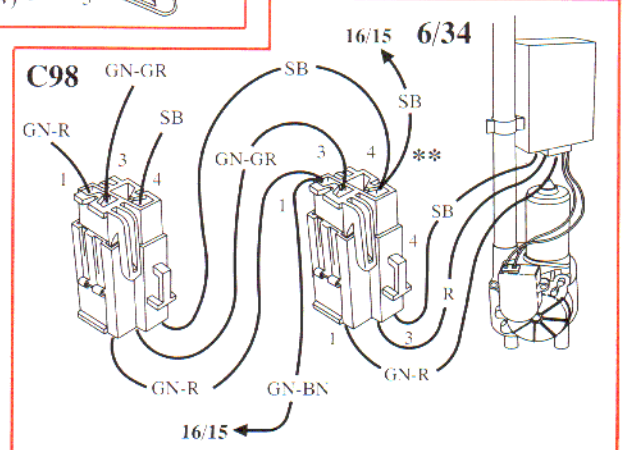
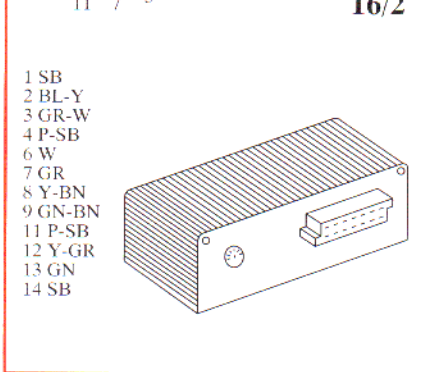
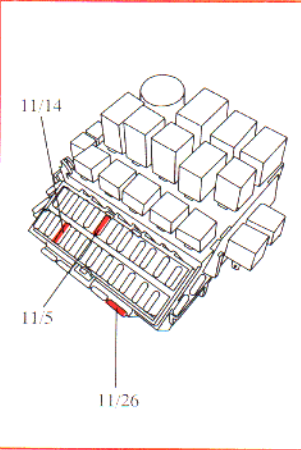
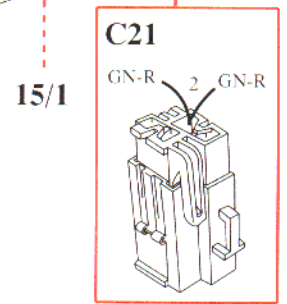
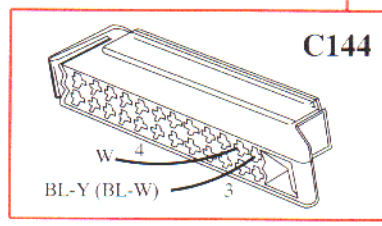
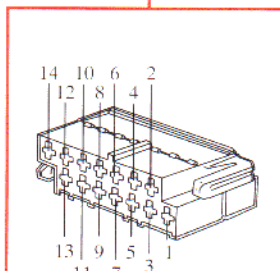
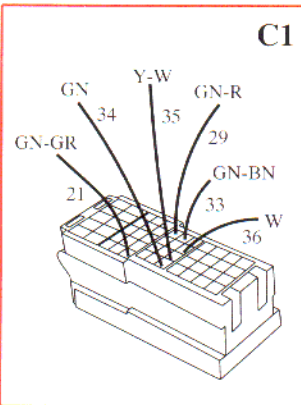
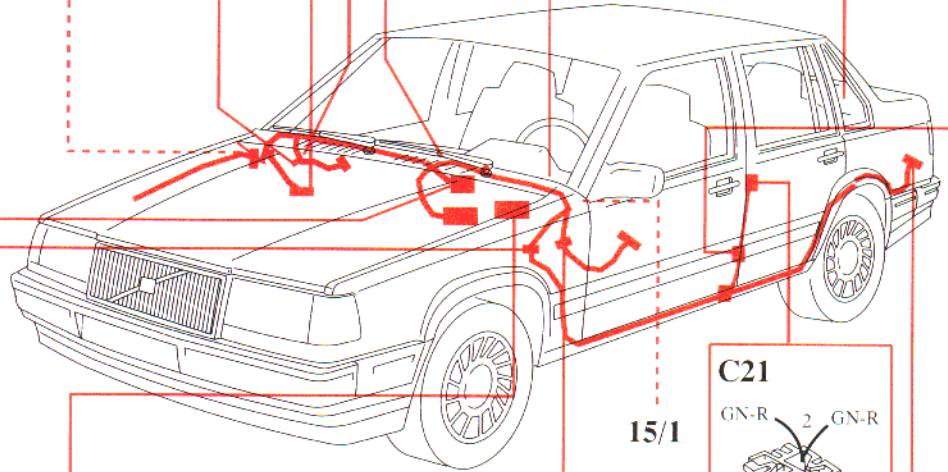
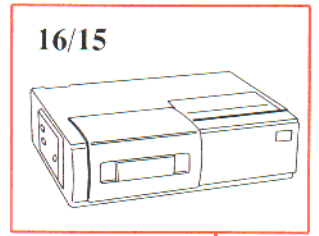
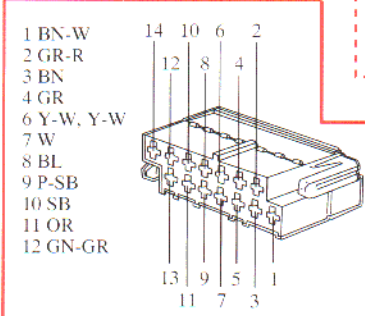
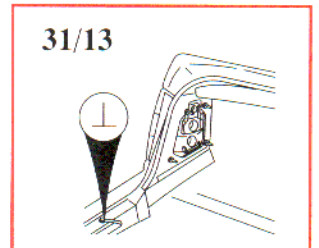
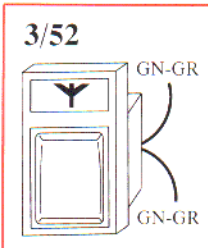
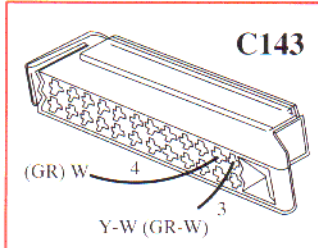
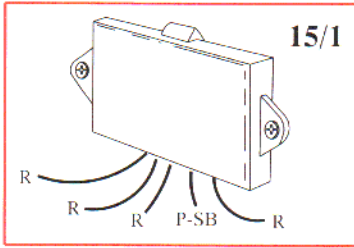
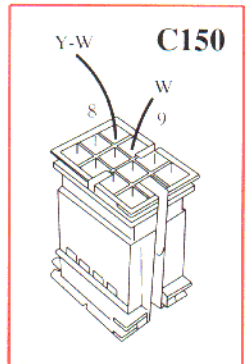
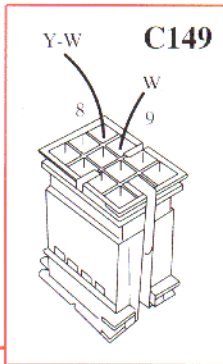
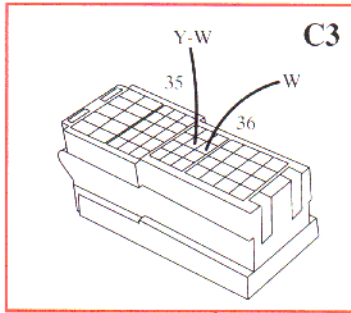
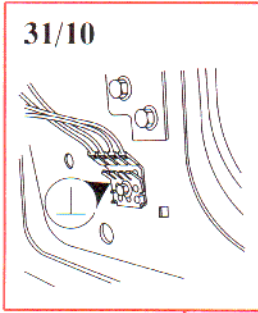
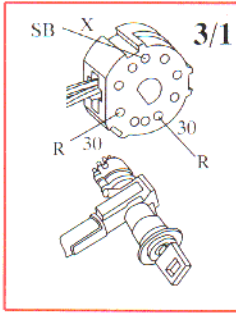




Radio connections, 4-door

- *) Connector in radio compartment, 1-pin
- **) Connector at power antenna, 4-pin (junction)

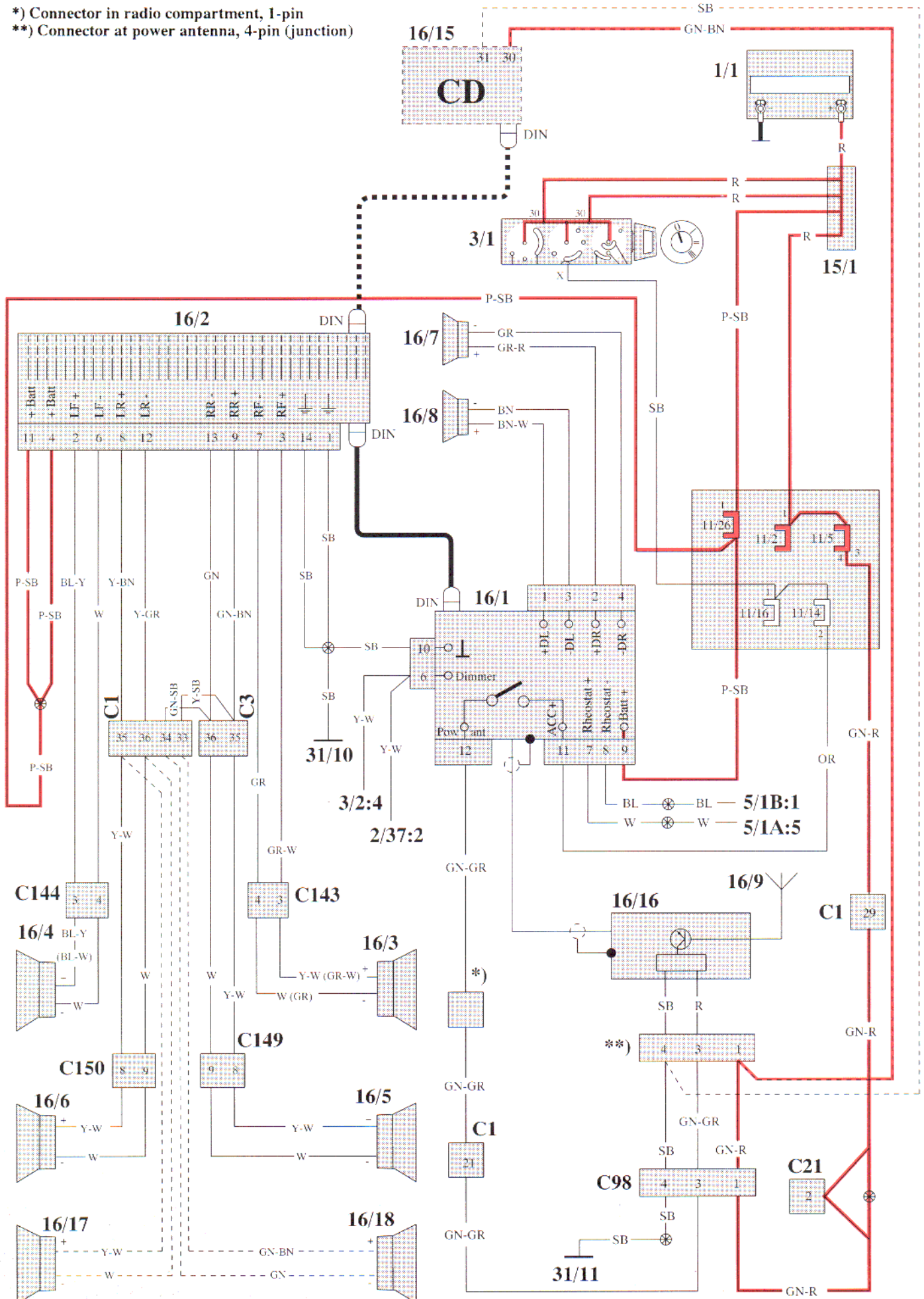


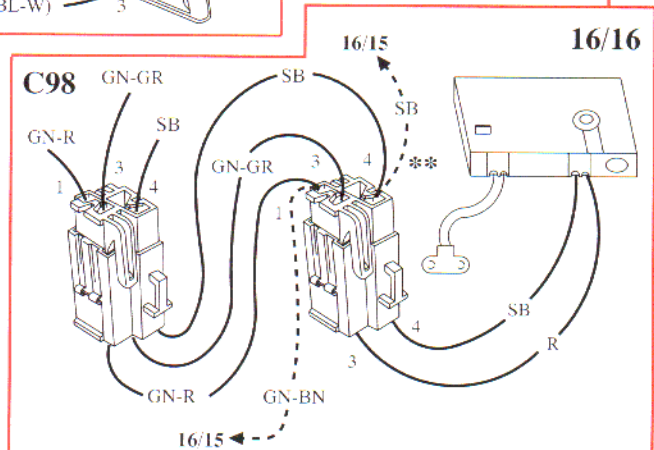
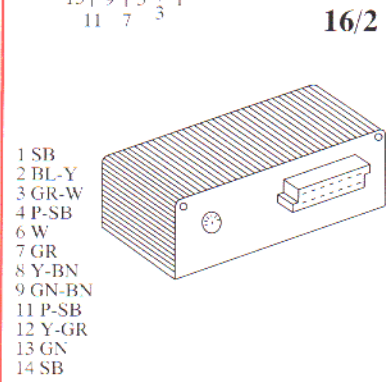
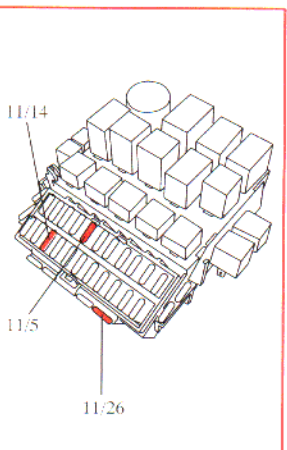
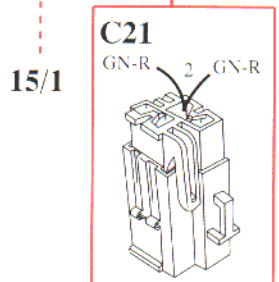
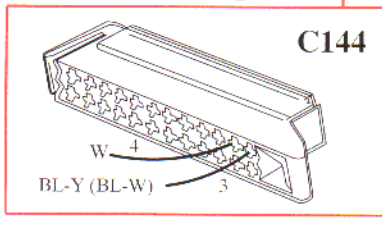
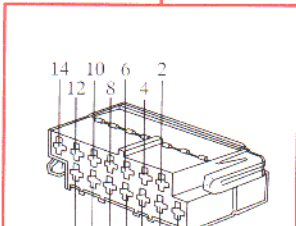
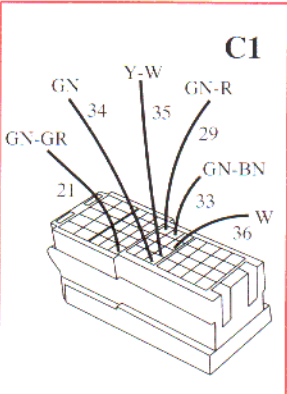
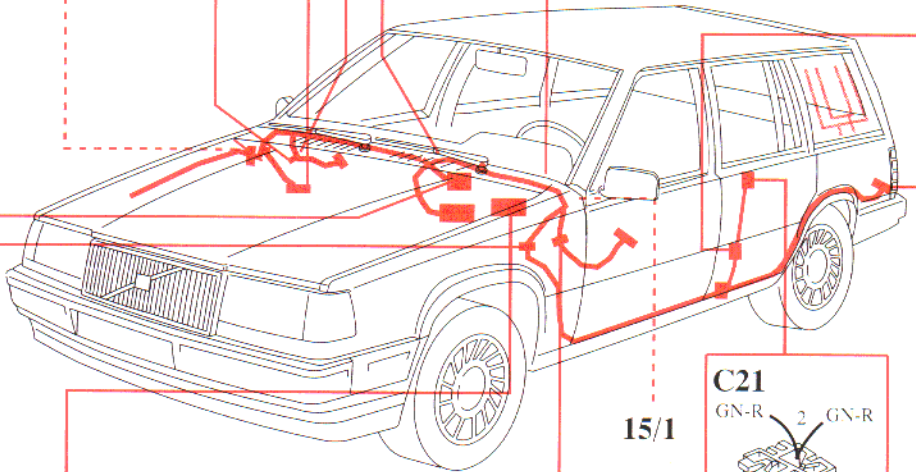
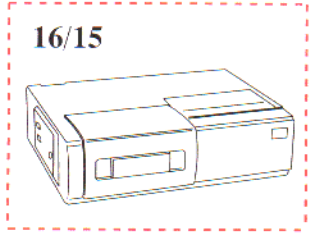
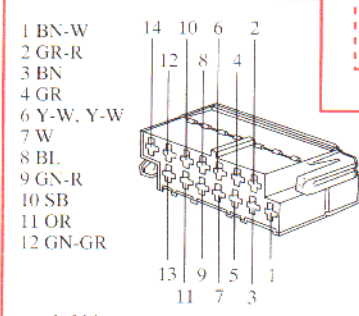
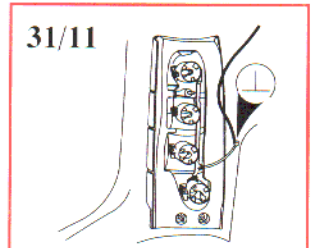
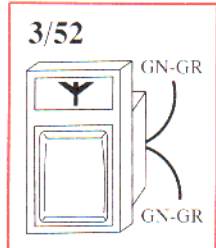
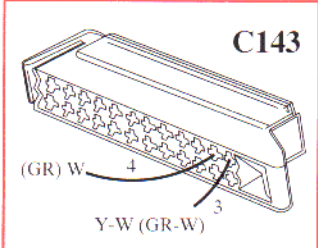
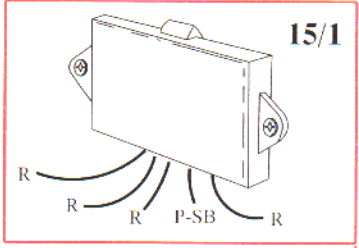
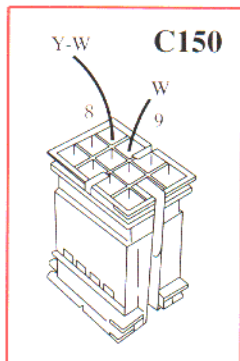
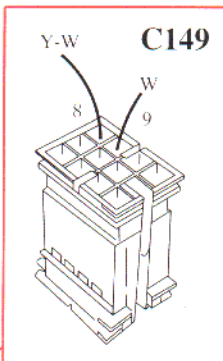
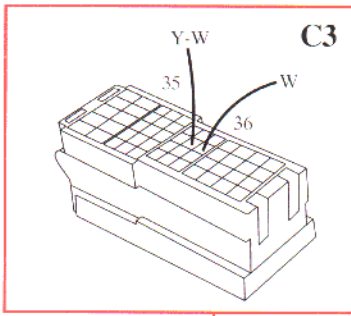
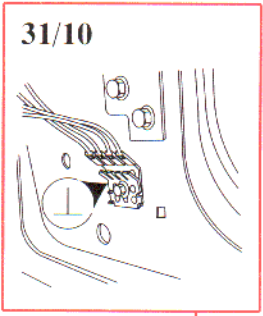
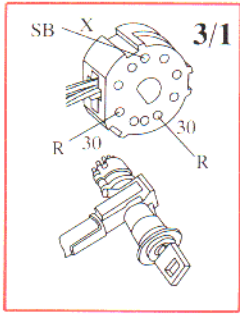


Radio connections, 5-door

*) Connector in radio compartment, 1-pin

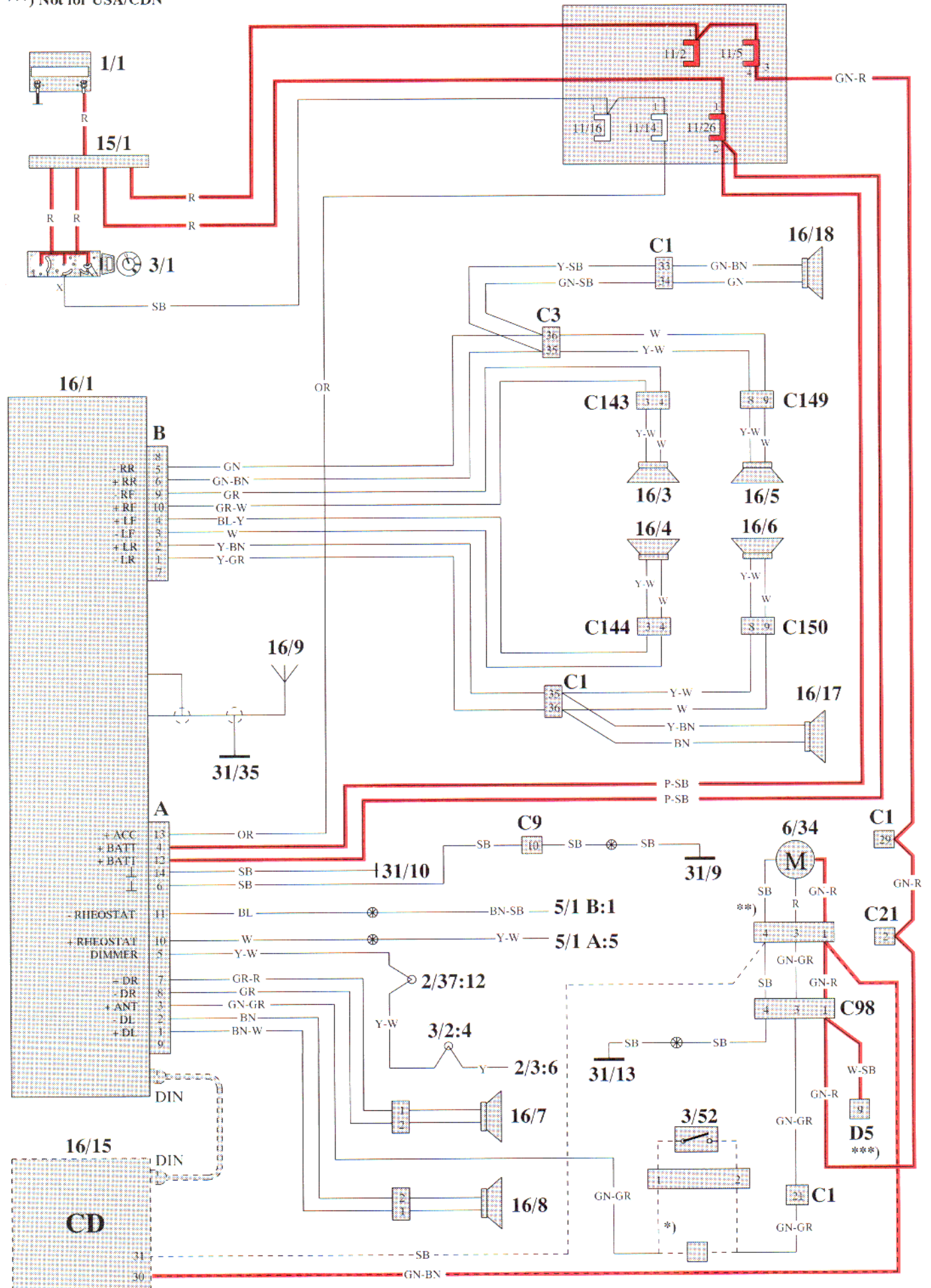
***) Connector at power antenna, 4-pin (junction)

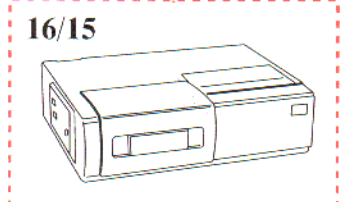
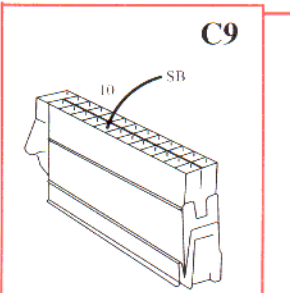
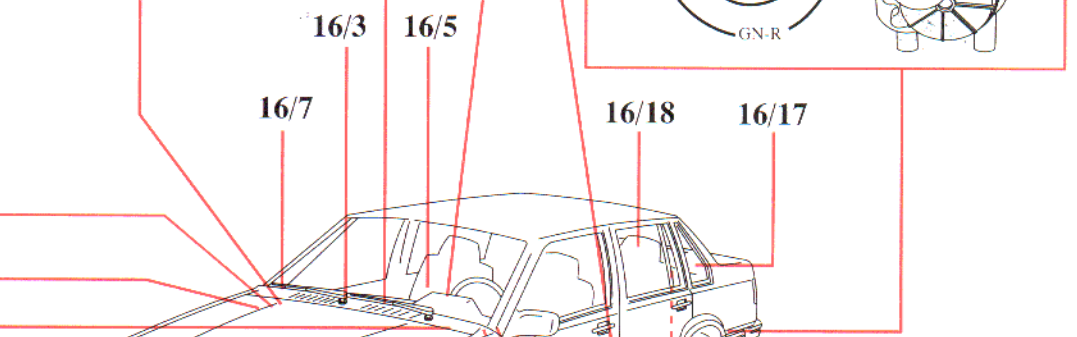
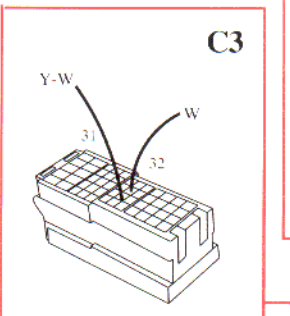
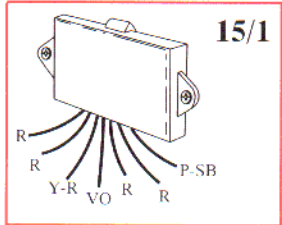
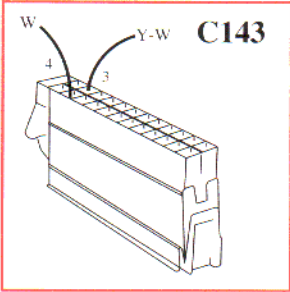
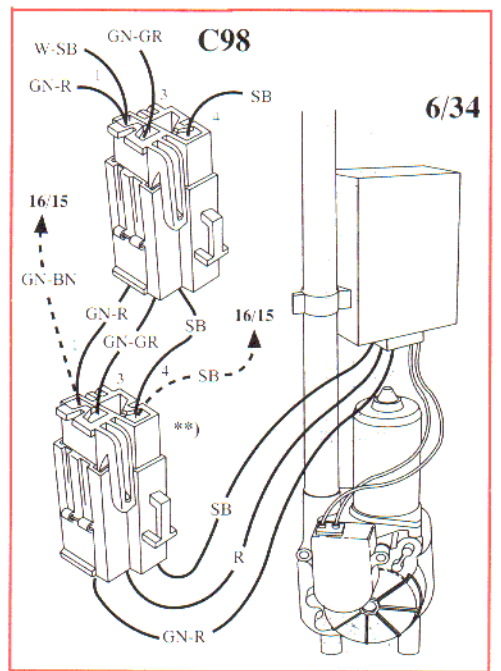
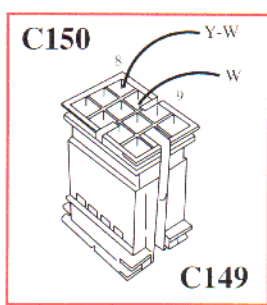
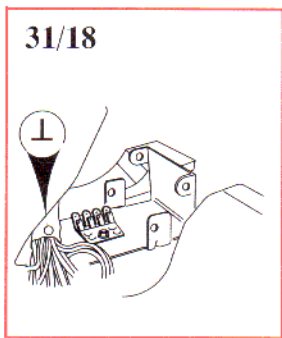
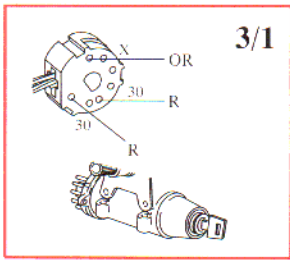




Radio connections, 4-door (Radio with integrated amplifier)

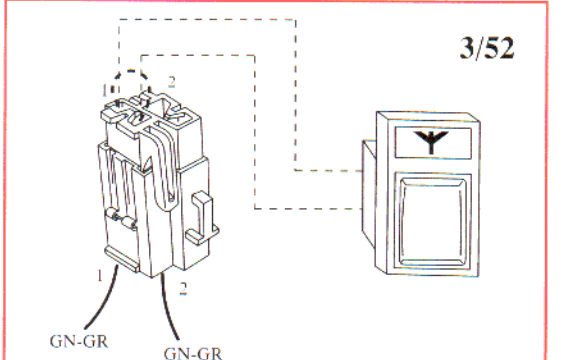
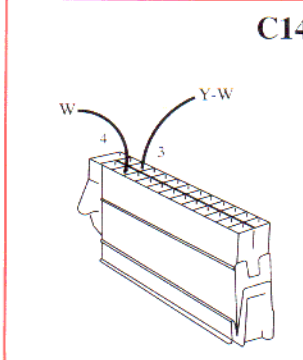
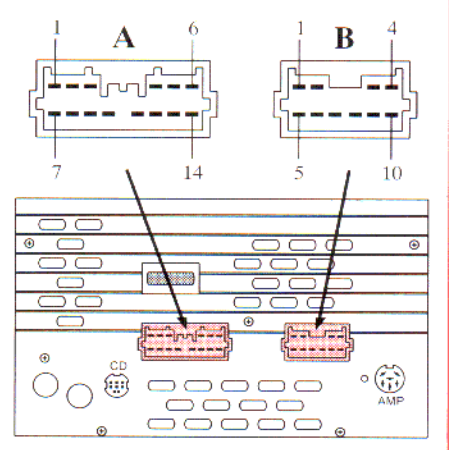
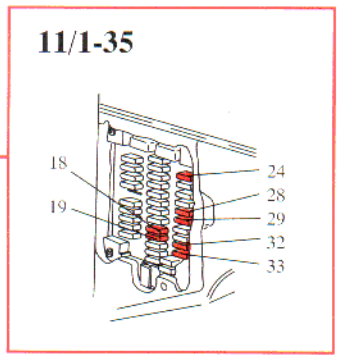
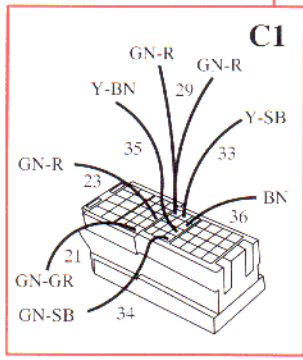
- *) Connector in radio compartment, 1-pin
- **) Connector at power antenna, 4-pin (junction)
- ***) Not for USA/CDN





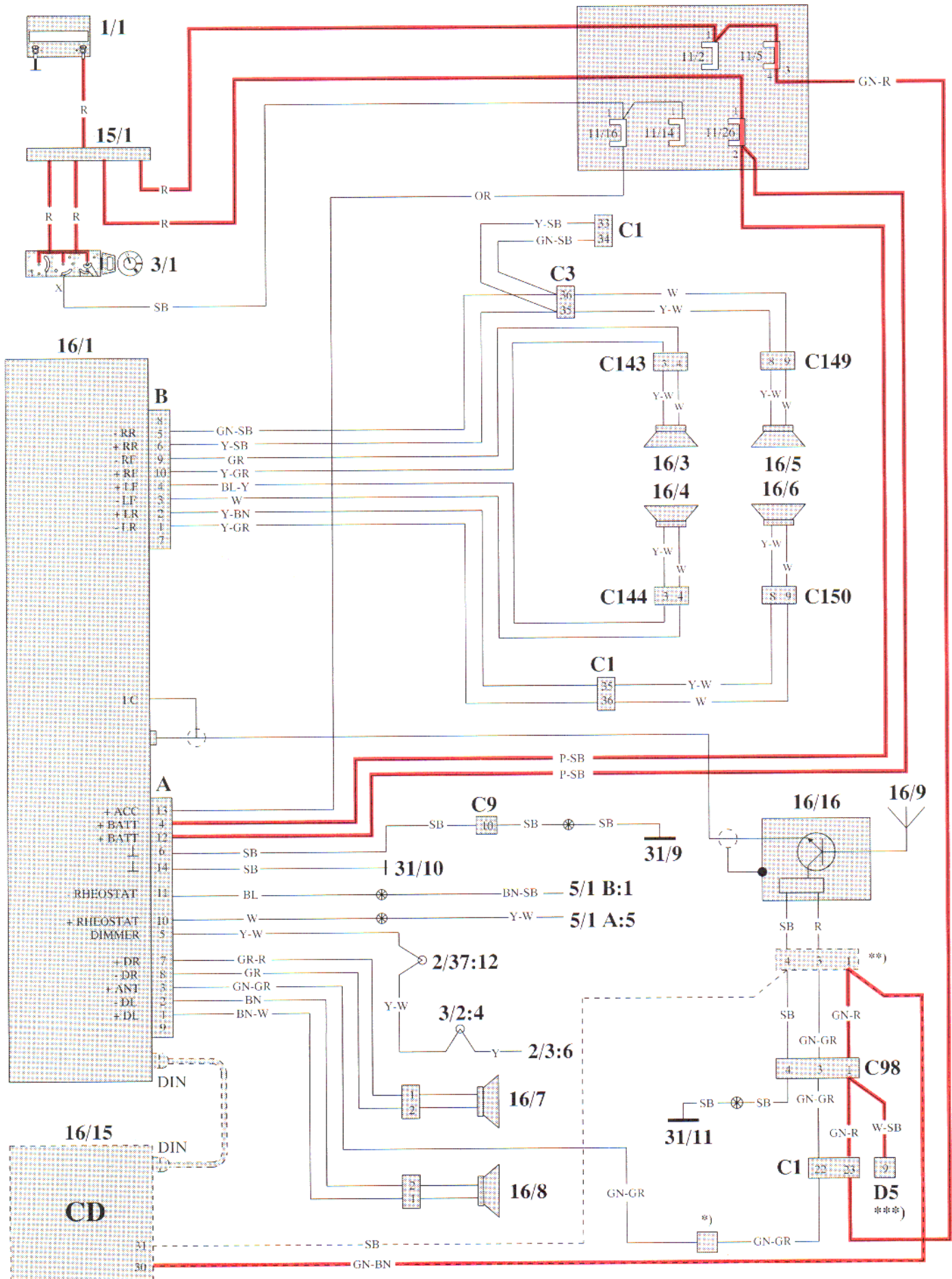
16/1

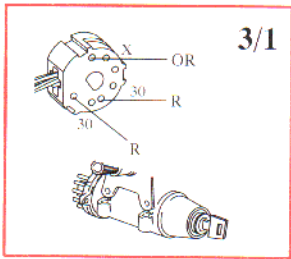
1 BN-W	8 GR	1 Y-GR
2 BN	9 -	2 Y-BN
3 GN-GR	10 W	3 W
4 P-SB	11 BL	4 BL-Y
5 Y-W	12 P-SB	5 GN
6 SB	13 OR	6 GN-BN
7 GR-R	14 SB	7 -
		8 -
		9 GR
		10 GR-W



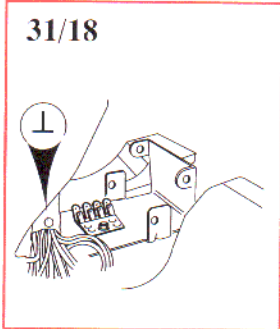
Radio connections, 5-door (Radio with integrated amplifier)

- *) Connector in radio compartment, 1-pin
- ***) Connector at power antenna, 4-pin (junction)
- ***) Not for USA/CDN

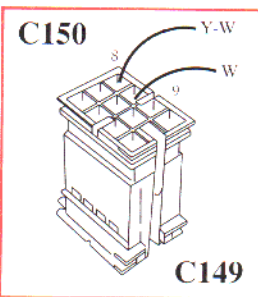




3/1

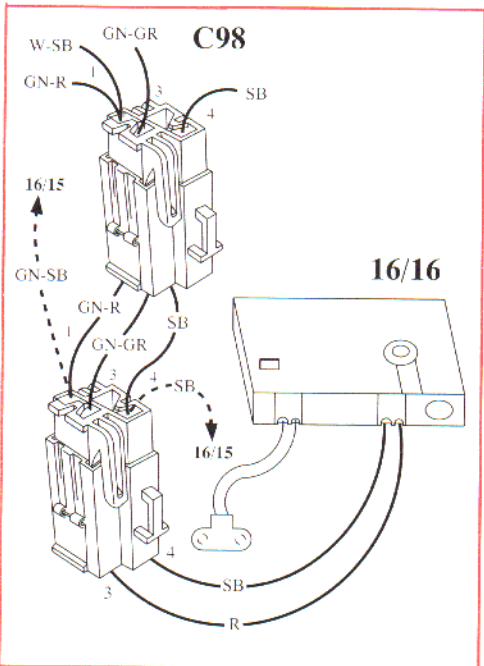


31/18



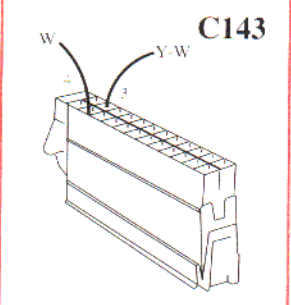
C150

C149

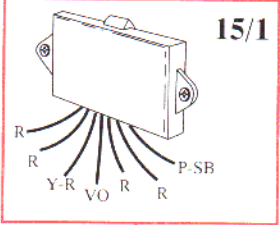


C98

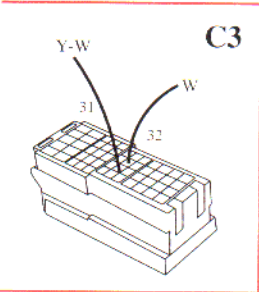
16/16



C143



15/1



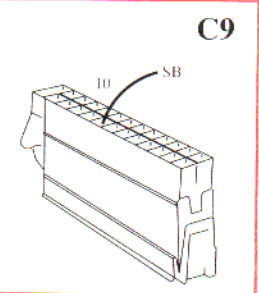
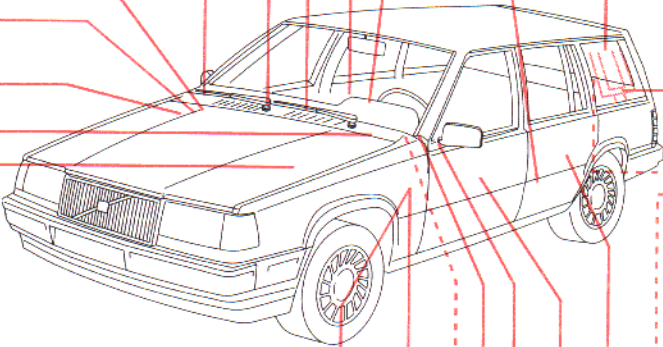
C3

16/3

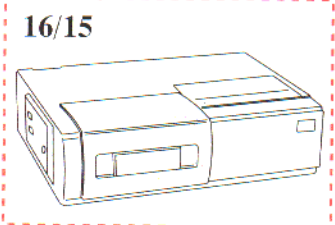
16/5

16/7

16/9

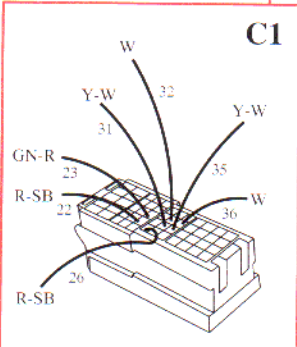


C9



16/15

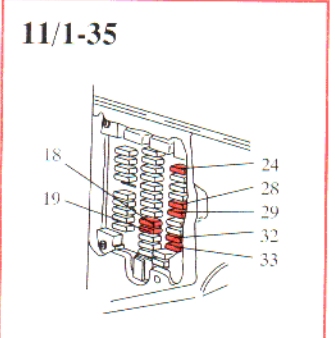
- 16/1**
- | | | |
|---------|---------|---------|
| 1 BN-W | 8 GR | 1 Y-GR |
| 2 BN | 9 - | 2 Y-BN |
| 3 GN-GR | 10 W | 3 W |
| 4 P-SB | 11 BL | 4 BL-Y |
| 5 Y-W | 12 P-SB | 5 GN-SB |
| 6 SB | 13 OR | 6 Y-SB |
| 7 GR-R | 14 SB | 7 - |
| | | 8 - |
| | | 9 GR |
| | | 10 Y-GR |



C1

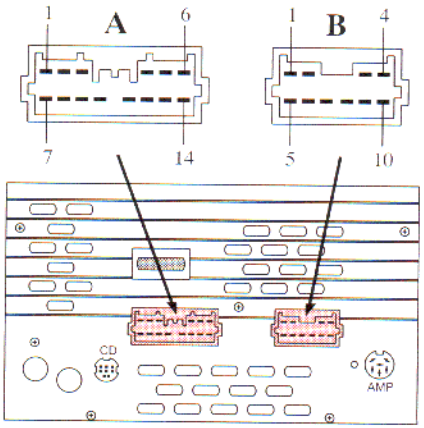
16/4

16/6



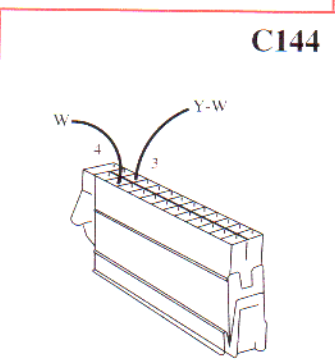
11/1-35

16/8

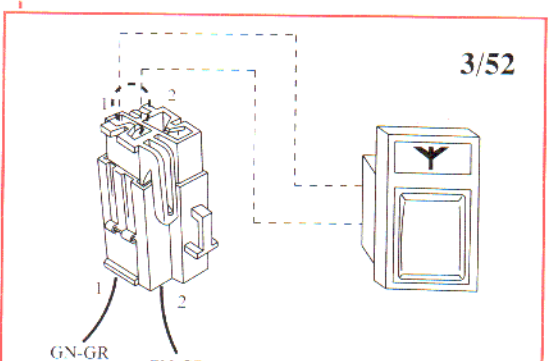


A

B

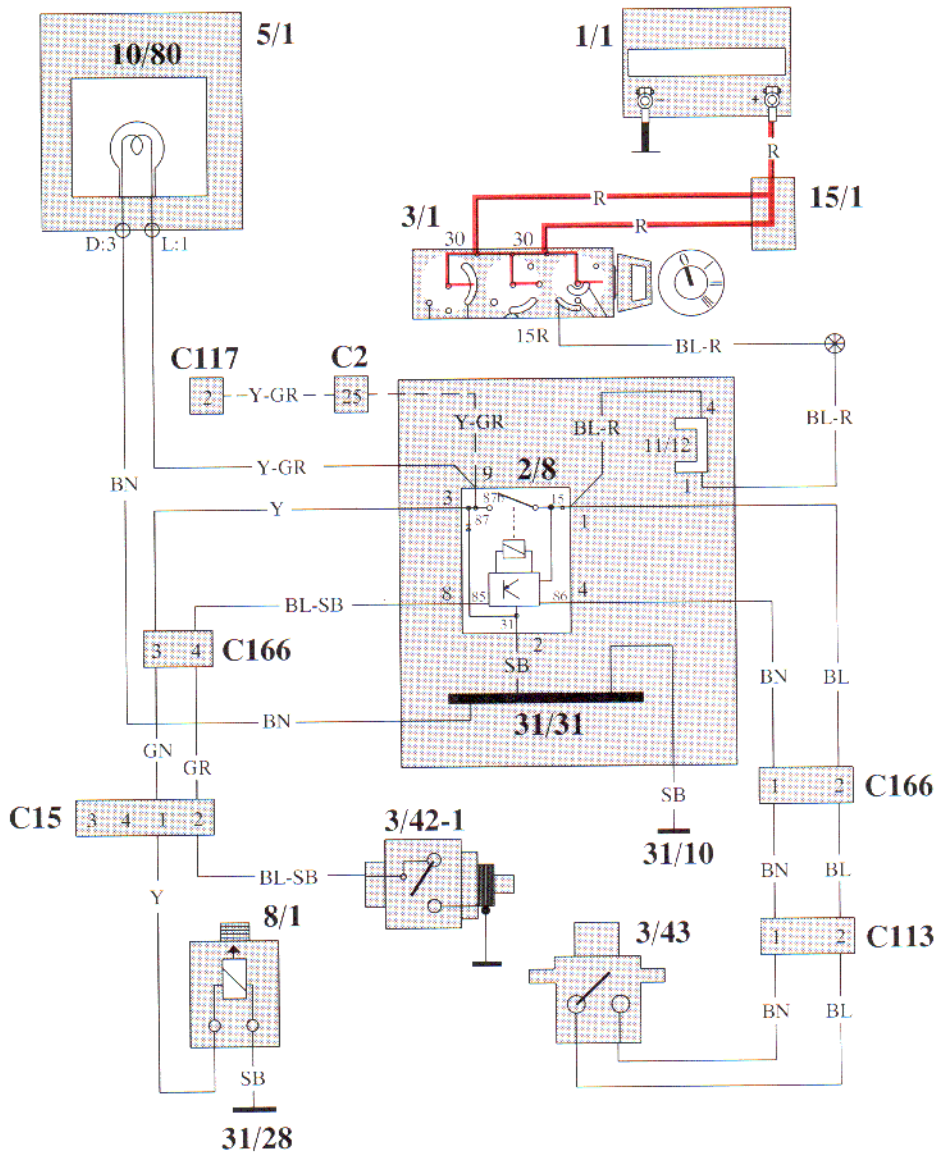


C144



3/52

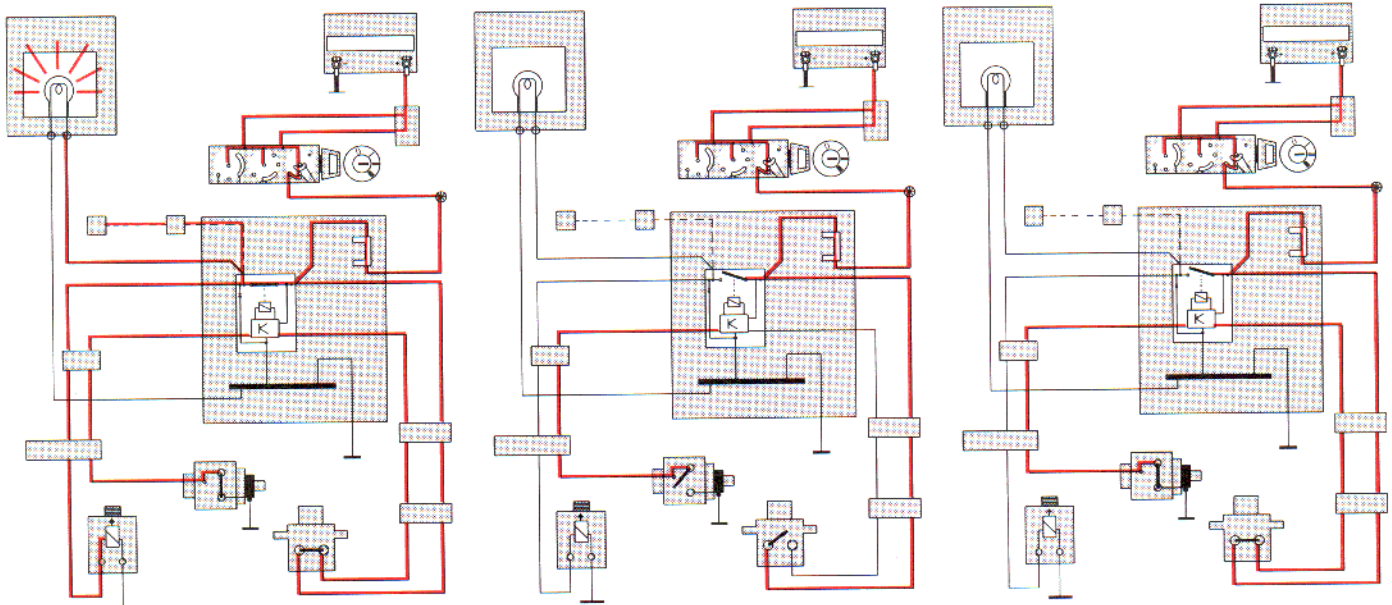
M 46 Overdrive

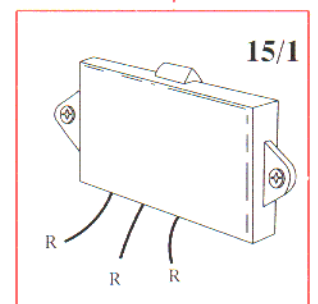
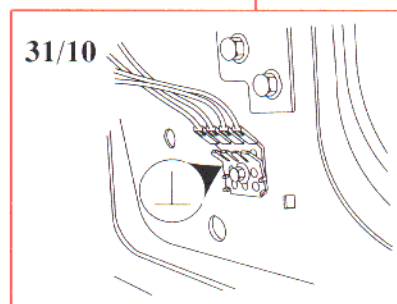
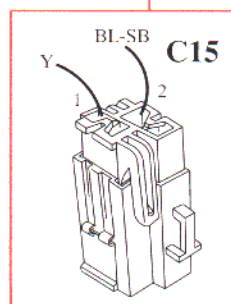
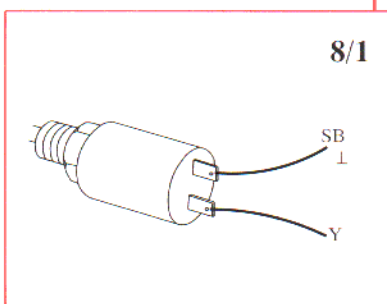
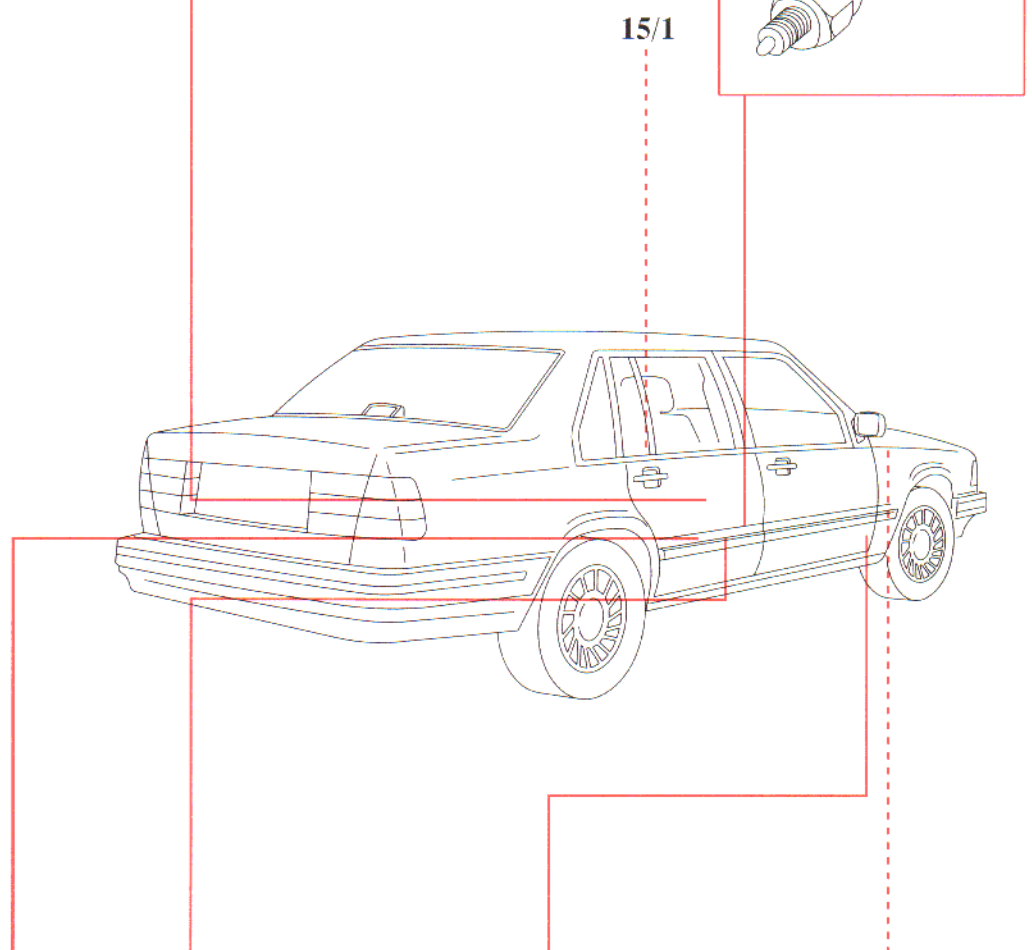
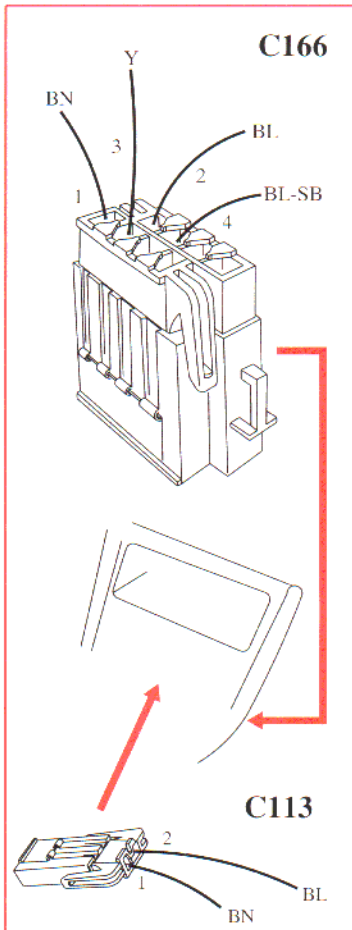
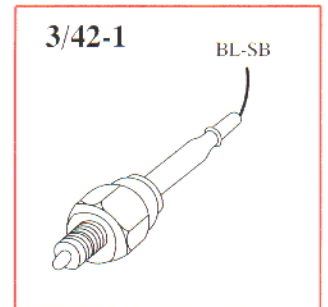
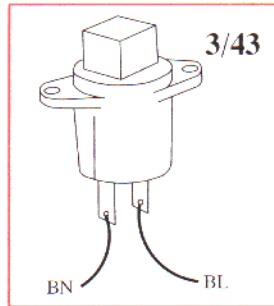
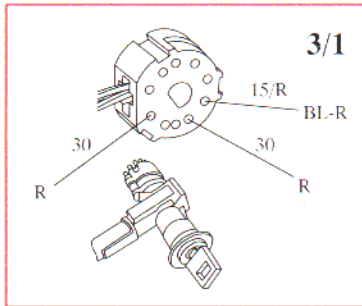
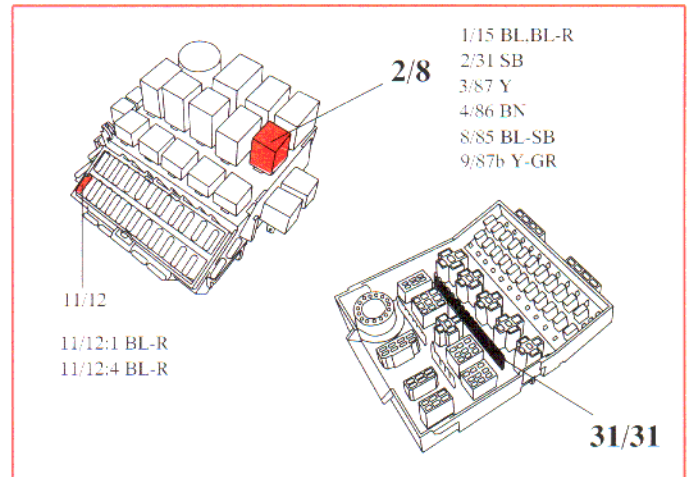
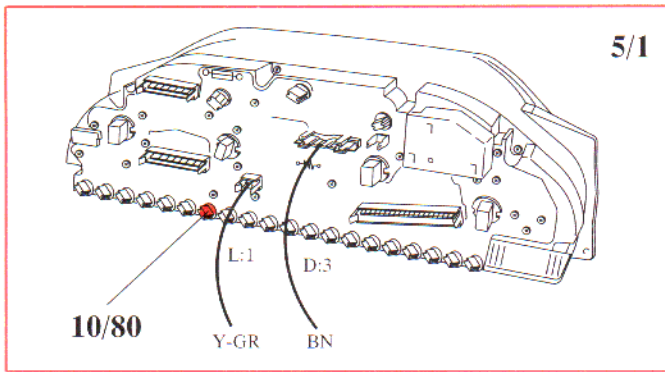


Engaging overdrive,
Gear lever in 4th gear

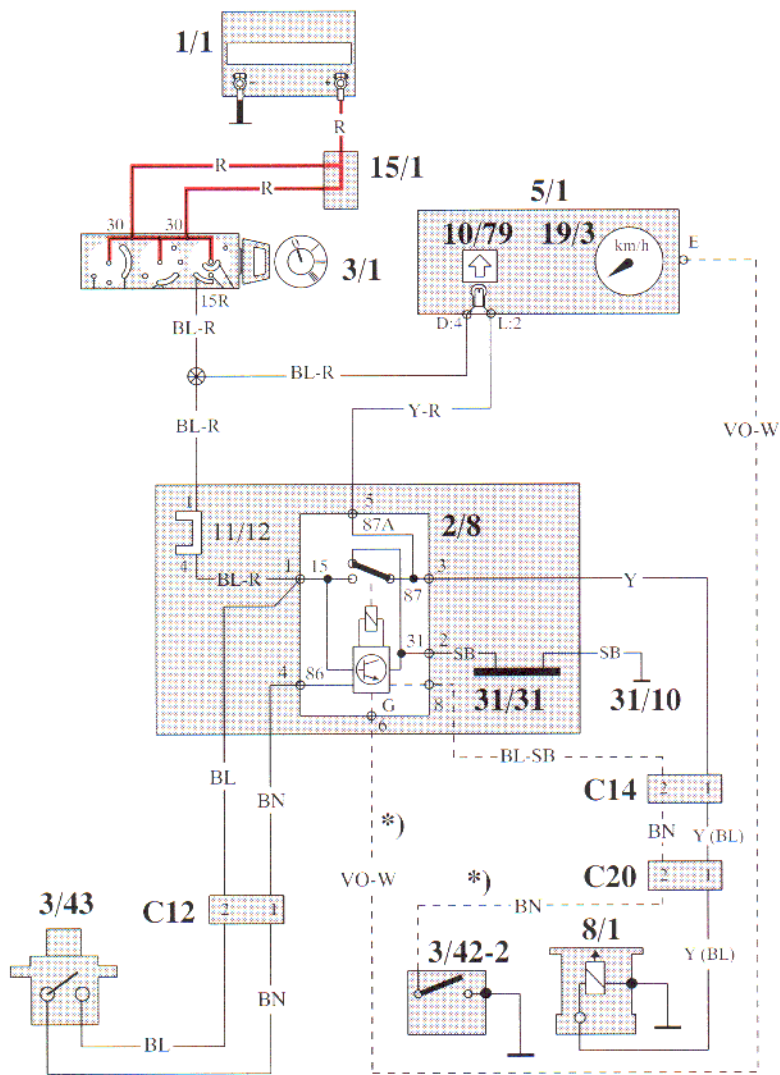
Downshift from 4th gear,
overdrive disengages
automatically

Disengaging overdrive,
gear lever in 4th gear





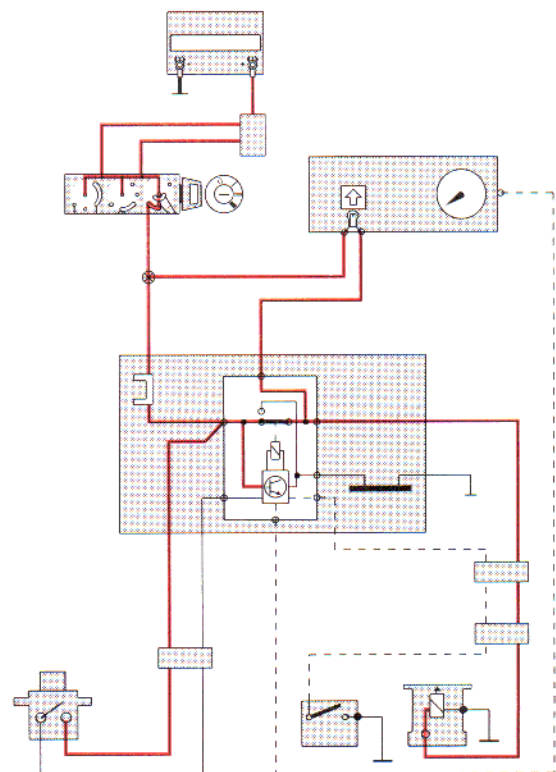
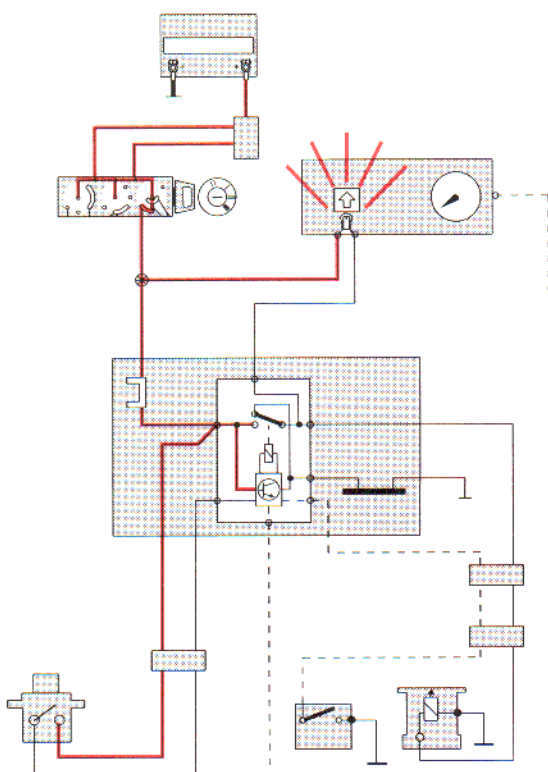
AW 70/71/72 Overdrive with kickdown inhibitor AW 71/72

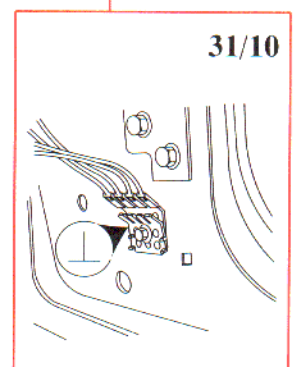
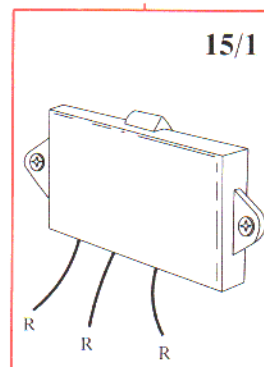
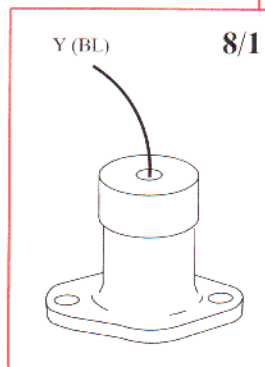
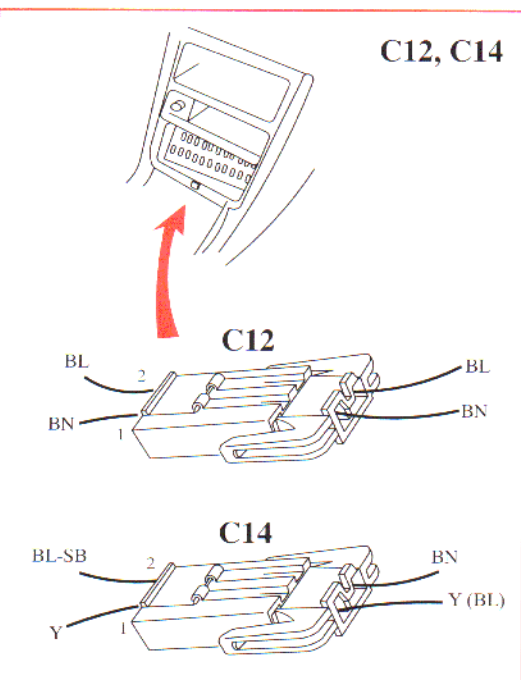
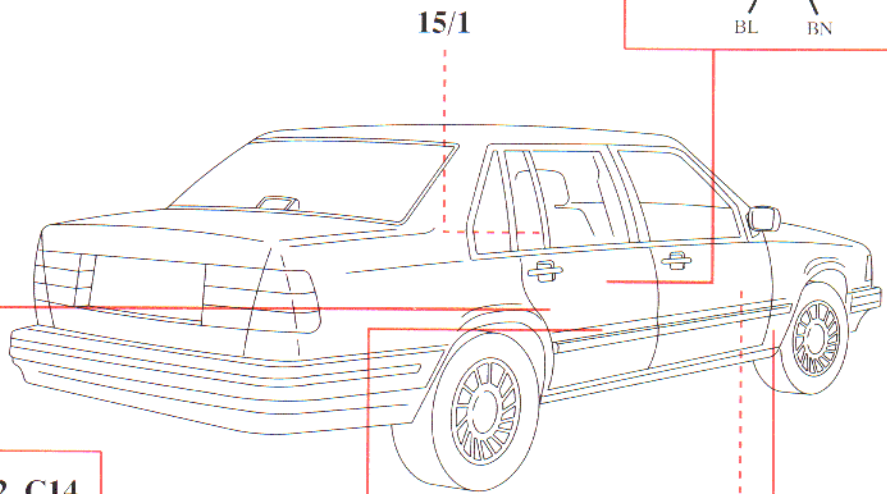
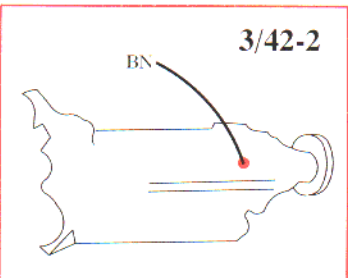
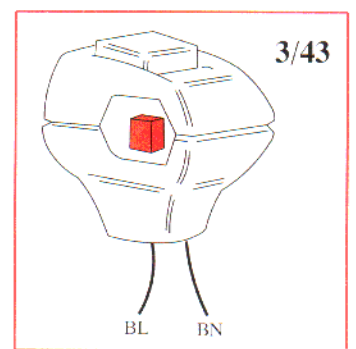
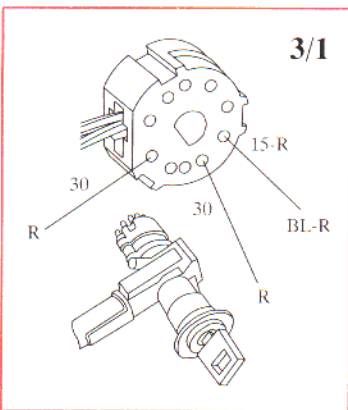
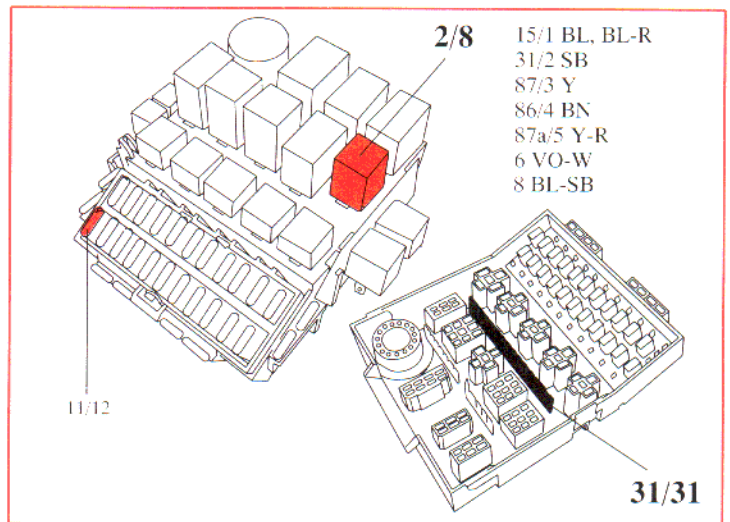
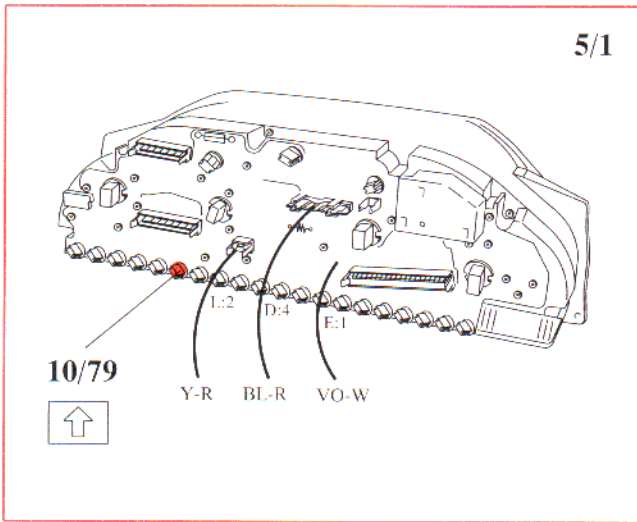


* AW 71/72 certain markets

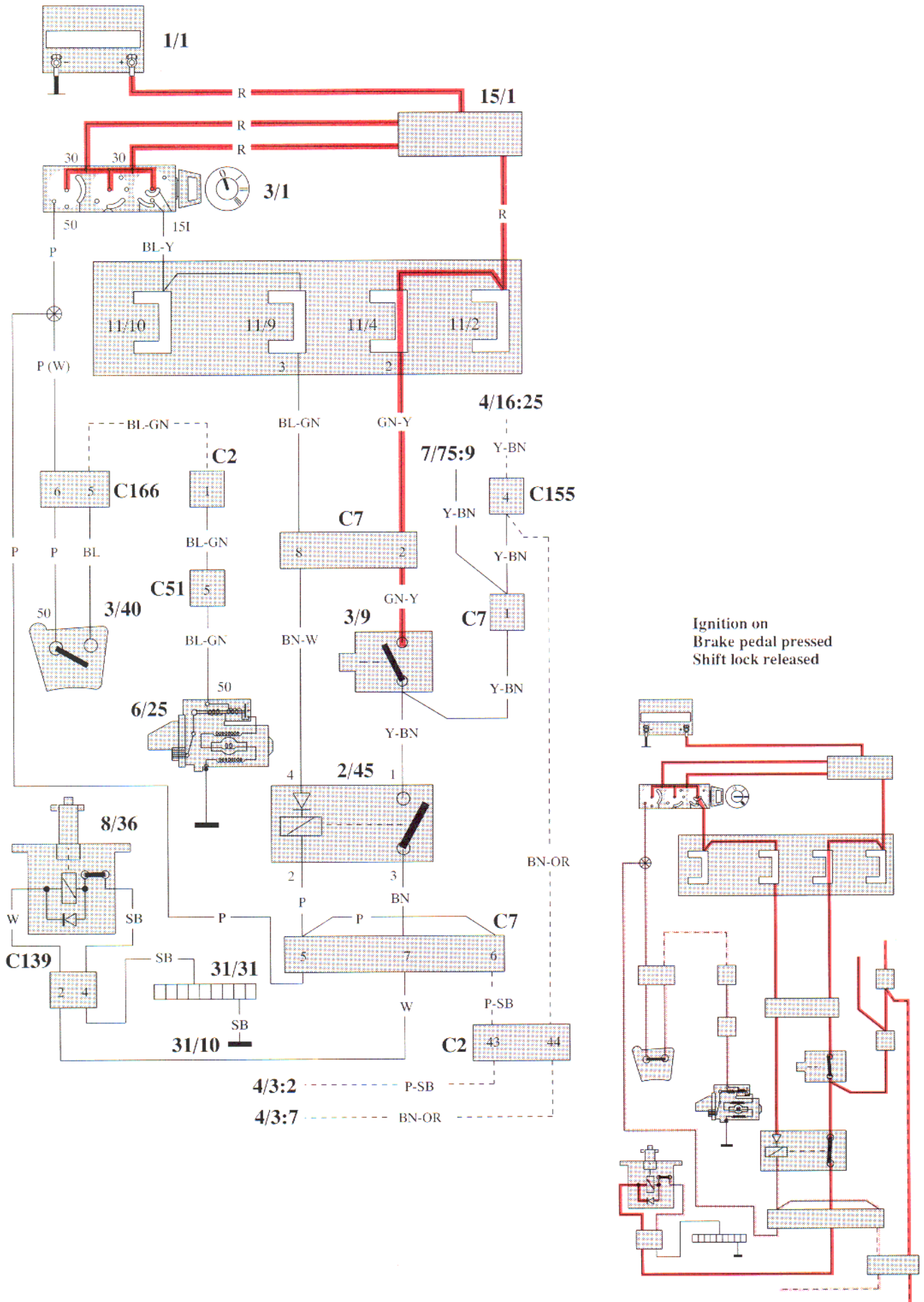
Overdrive disengaged
Indicator lamp ON

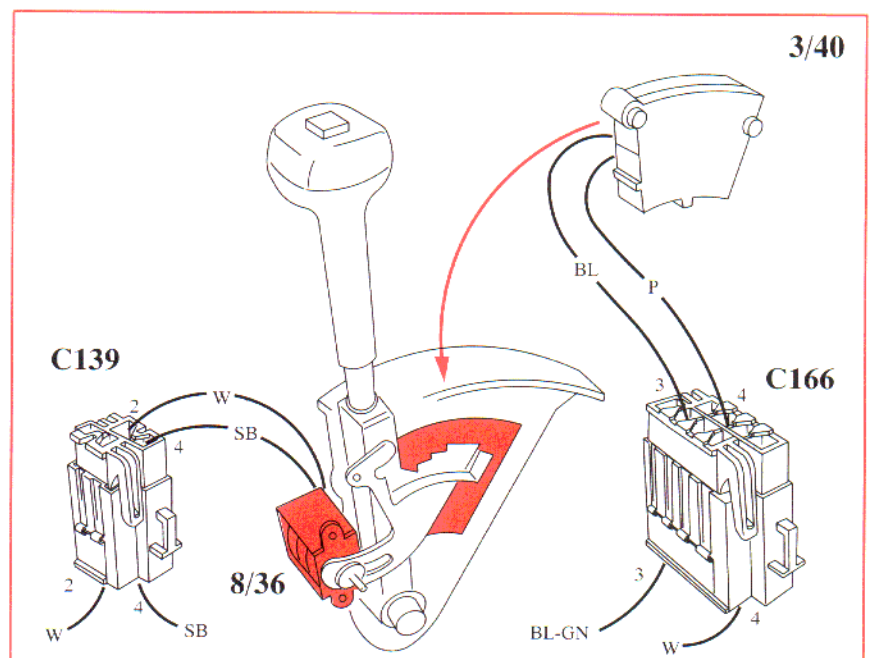
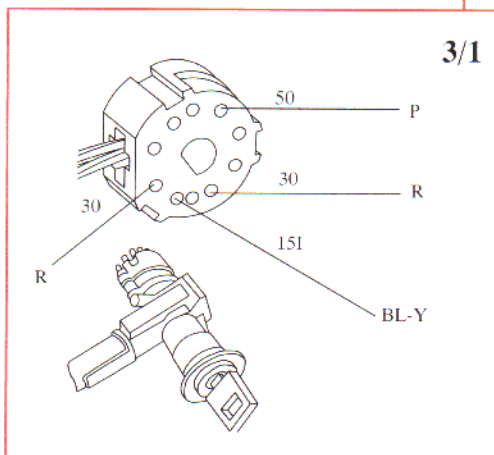
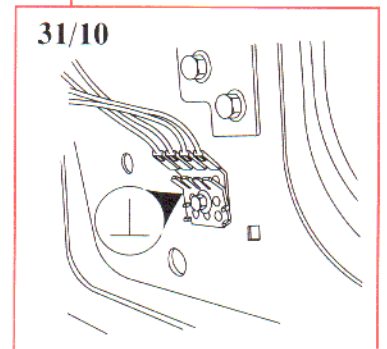
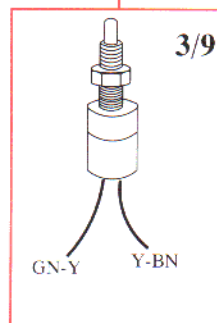
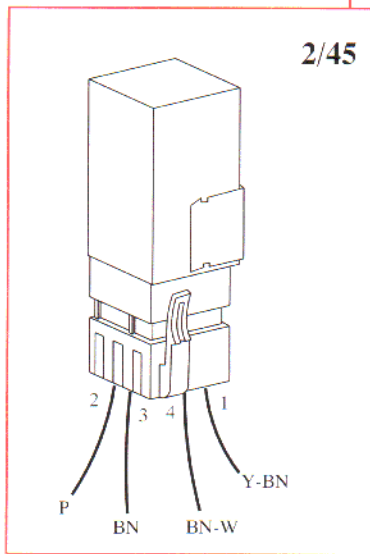
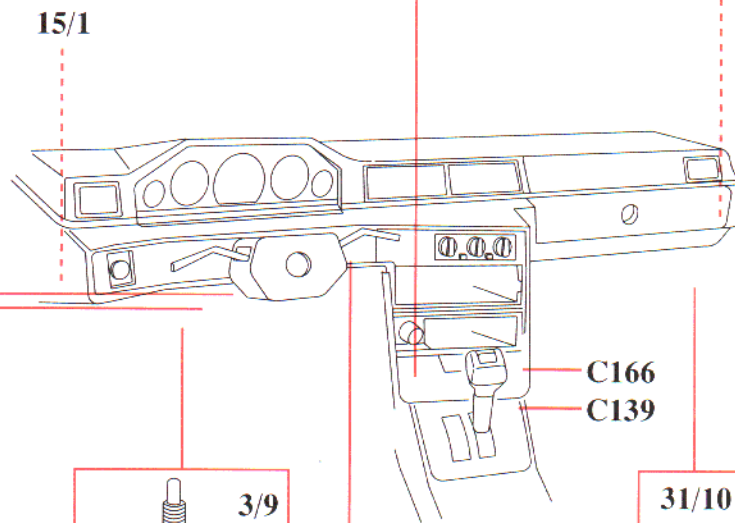
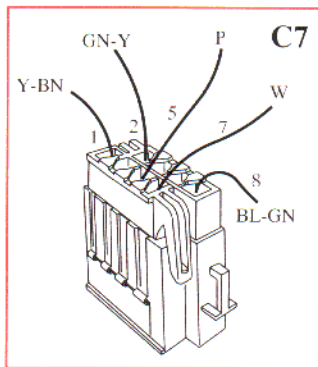
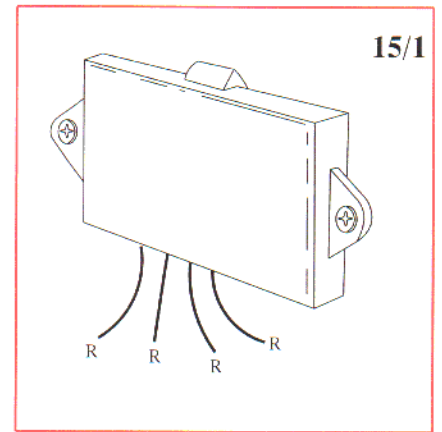
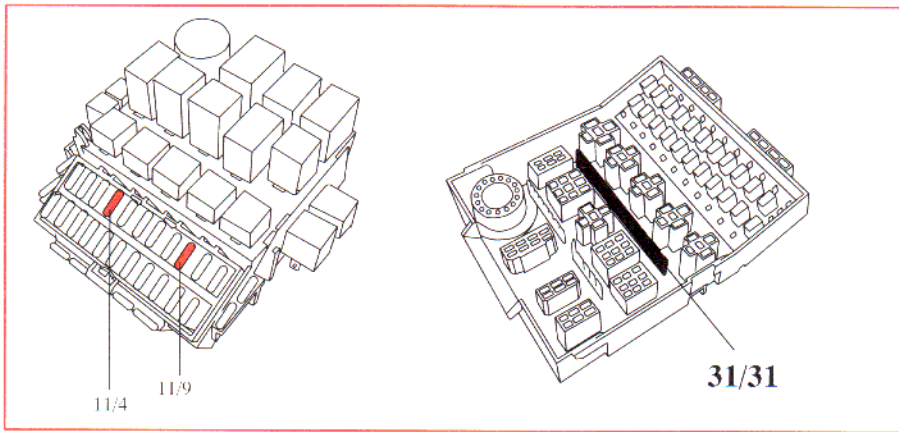
Overdrive engaged
Indicator lamp OFF





P-shift lock, automatic transmission





15/1

15/1

2/45

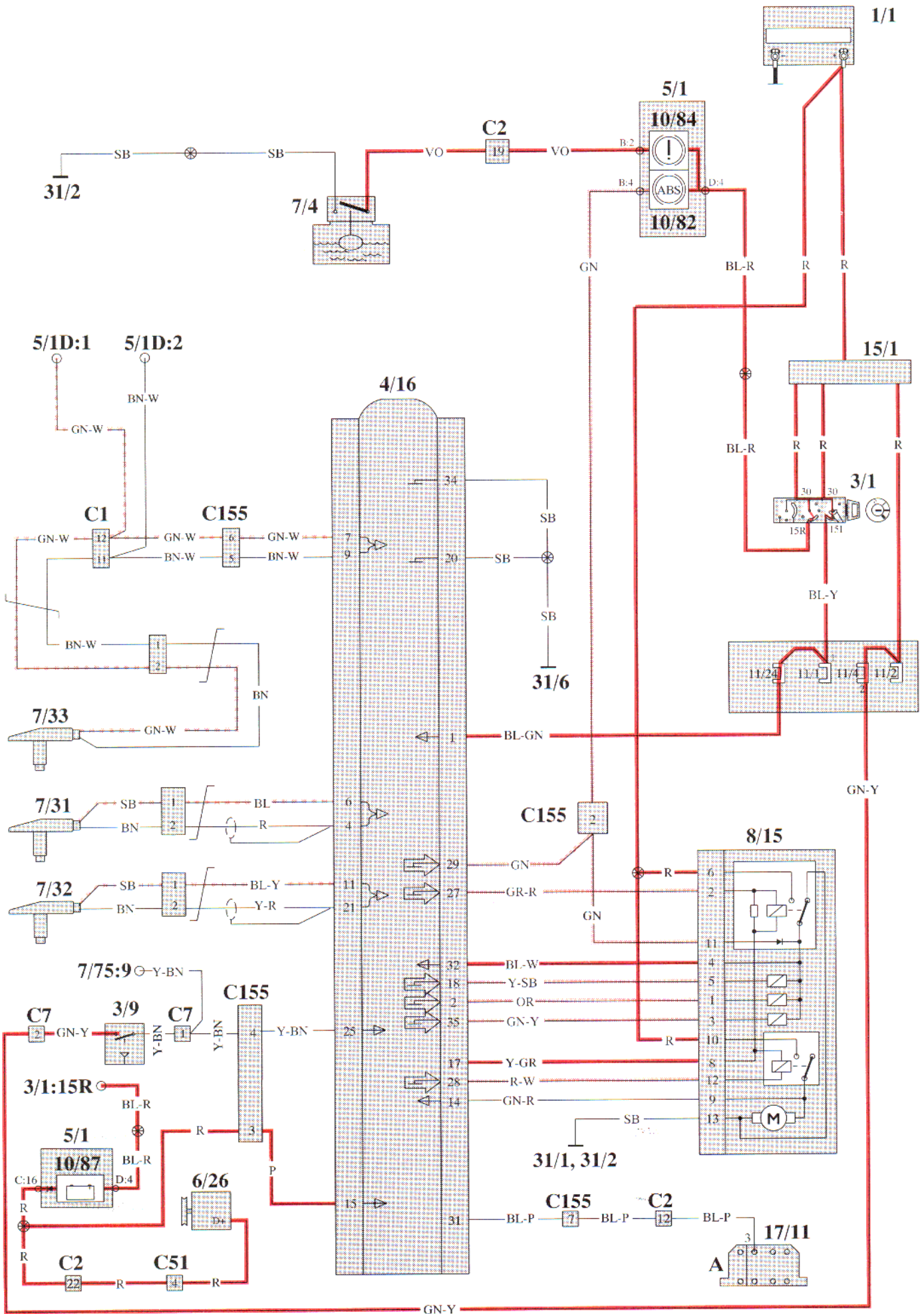
3/9

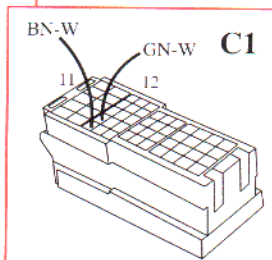
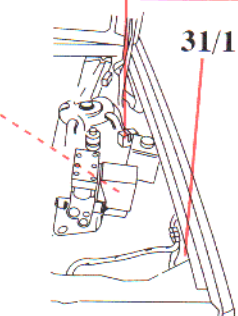
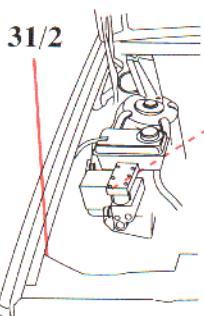
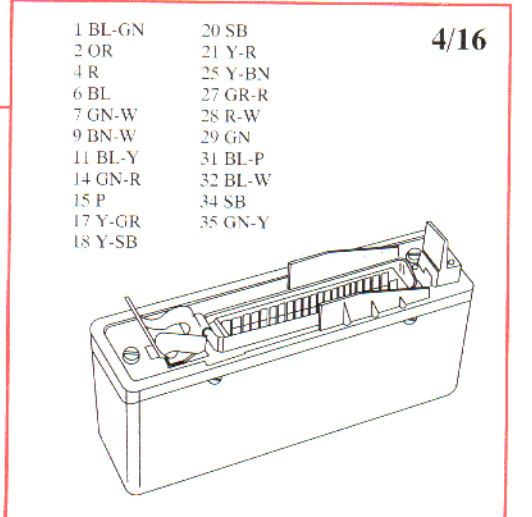
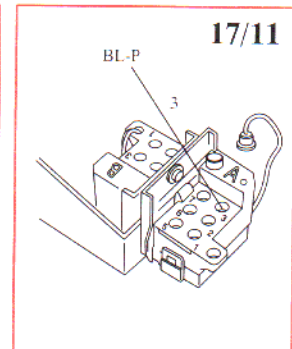
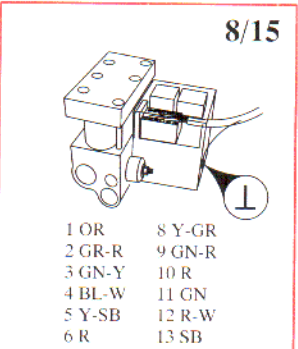
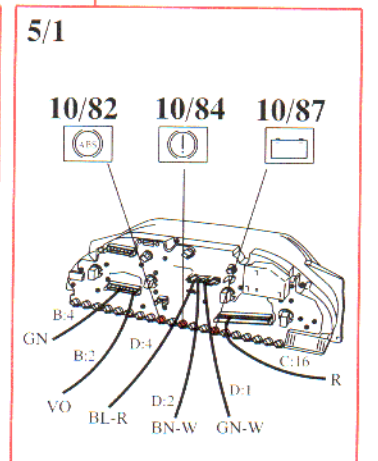
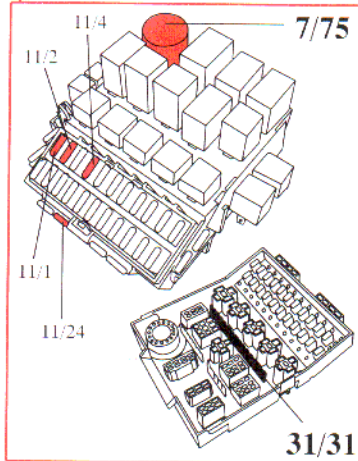
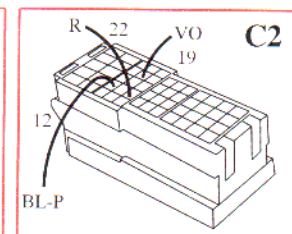
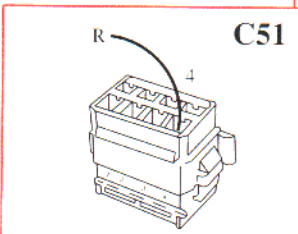
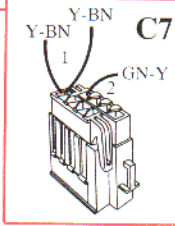
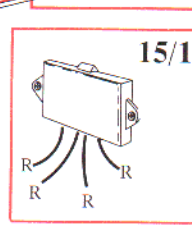
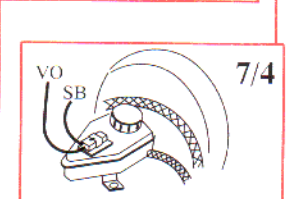
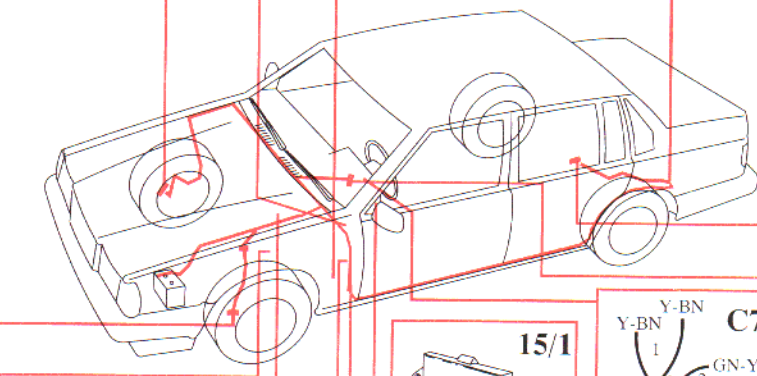
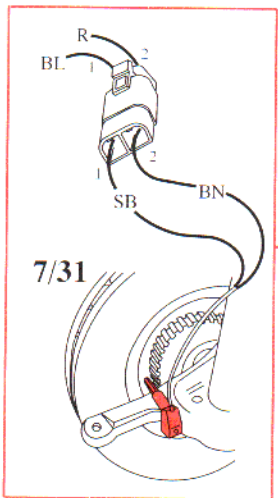
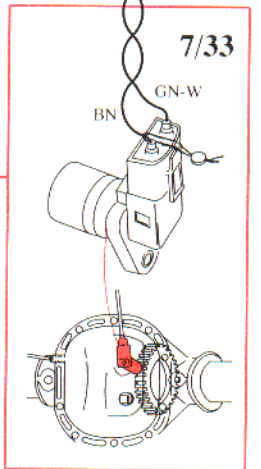
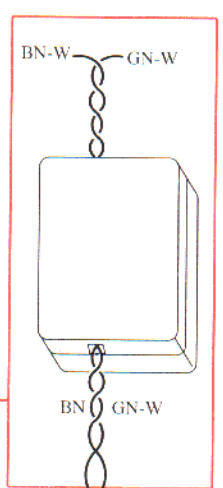
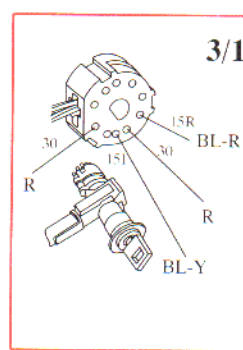
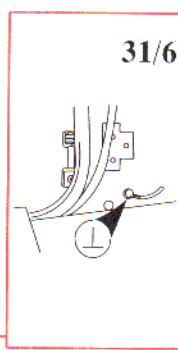
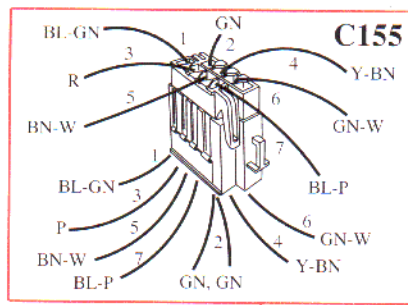
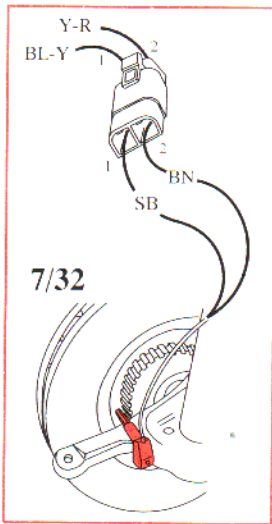
31/10

3/1

3/40

ABS Brake system



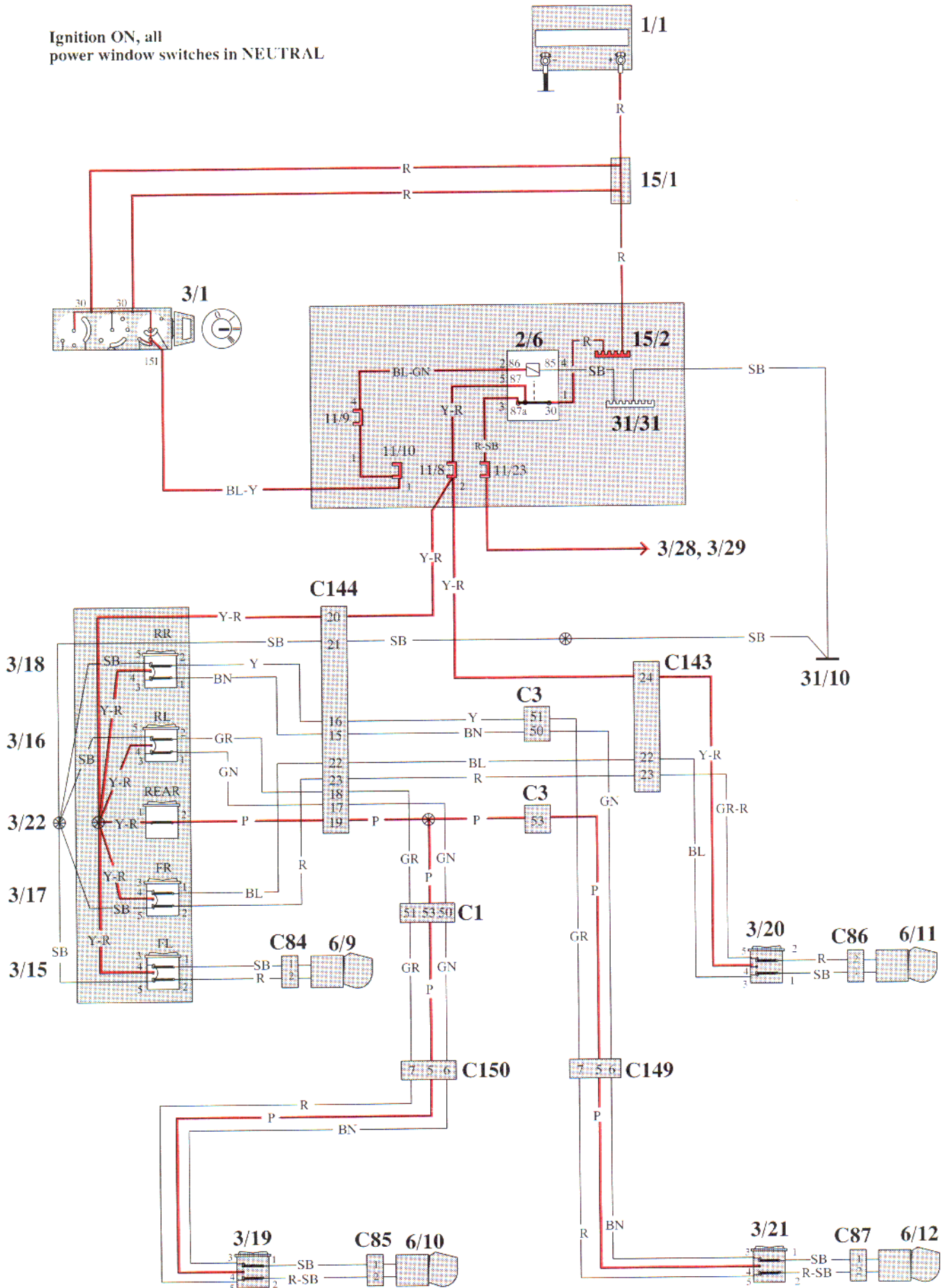


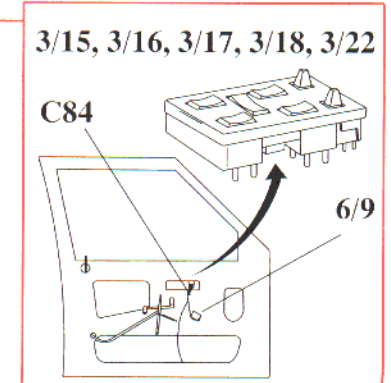
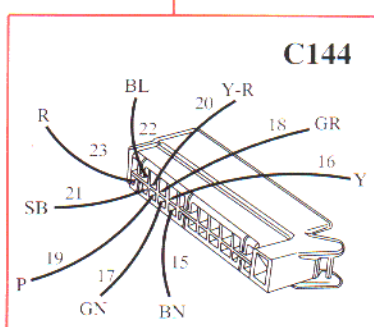
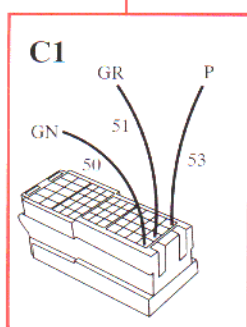
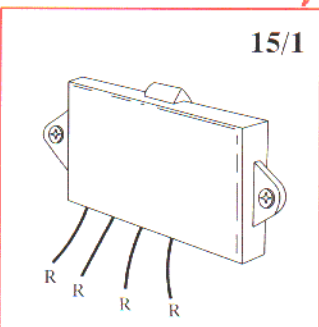
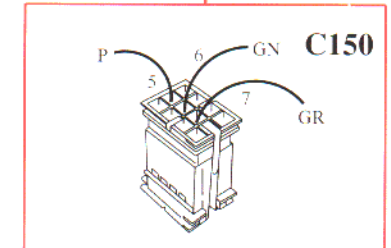
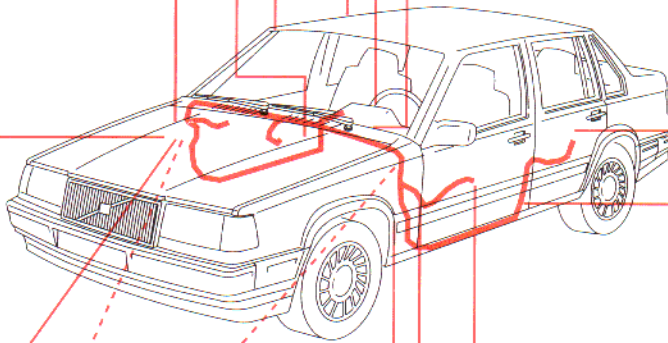
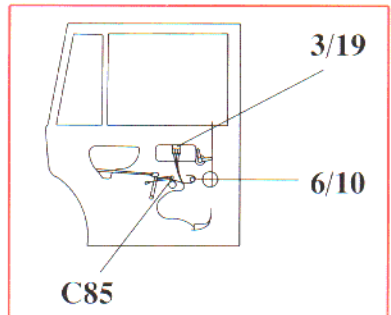
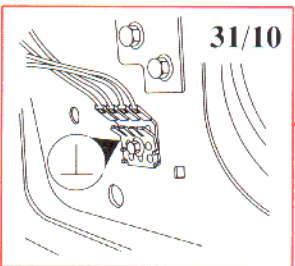
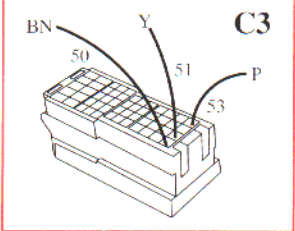
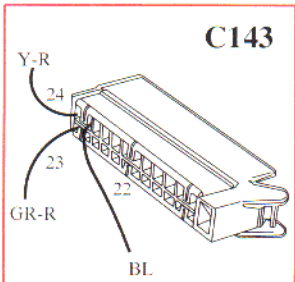
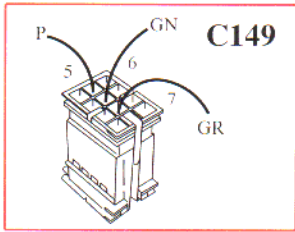
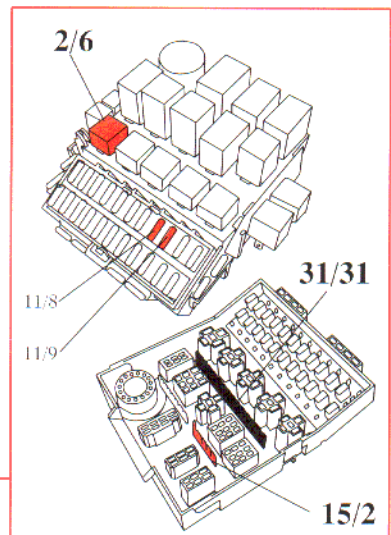
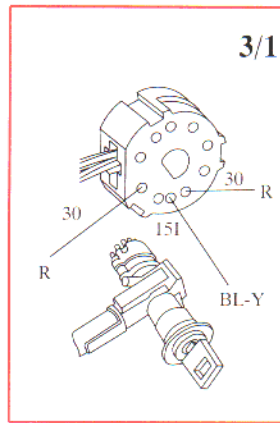
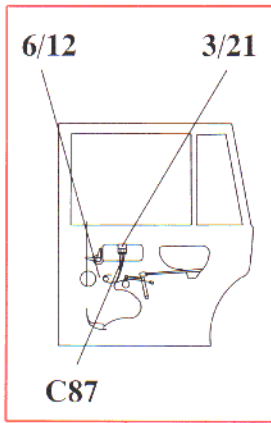
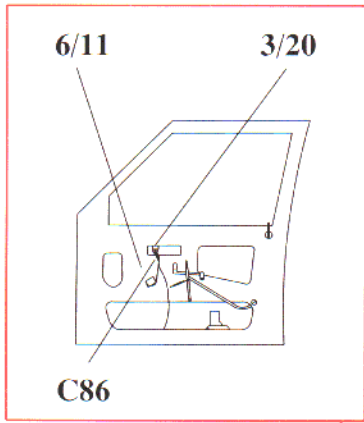
- 1 OR
- 2 GR-R
- 3 GN-Y
- 4 BL-W
- 5 Y-SB
- 6 R
- 8 Y-GR
- 9 GN-R
- 10 R
- 11 GN
- 12 R-W
- 13 SB

- 1 BL-GN
- 2 OR
- 4 R
- 6 BL
- 7 GN-W
- 9 BN-W
- 11 BL-Y
- 14 GN-R
- 15 P
- 17 Y-GR
- 18 Y-SB
- 20 SB
- 21 Y-R
- 25 Y-BN
- 27 GR-R
- 28 R-W
- 29 GN
- 31 BL-P
- 32 BL-W
- 34 SB
- 35 GN-Y

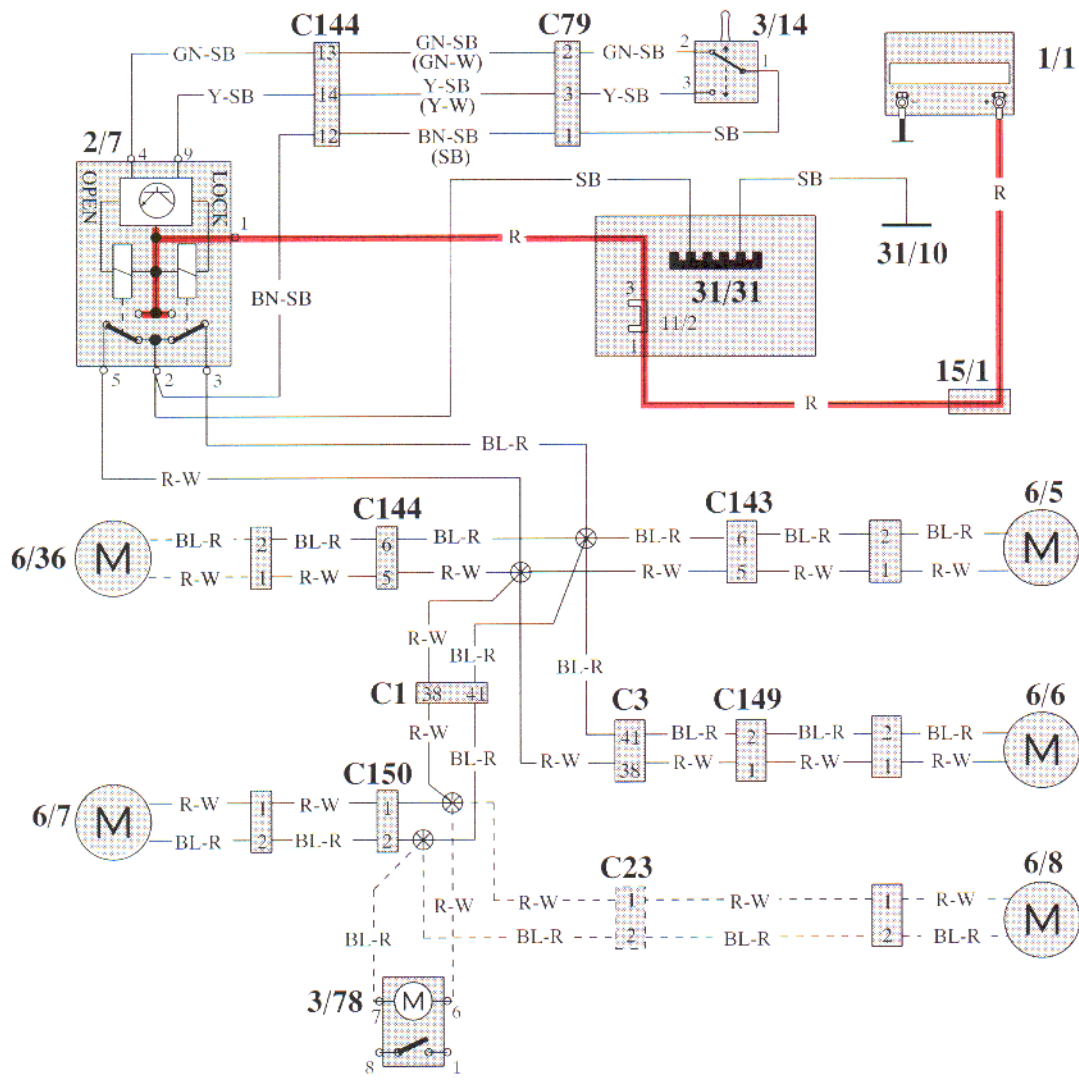
Power window lifts

Ignition ON, all power window switches in NEUTRAL

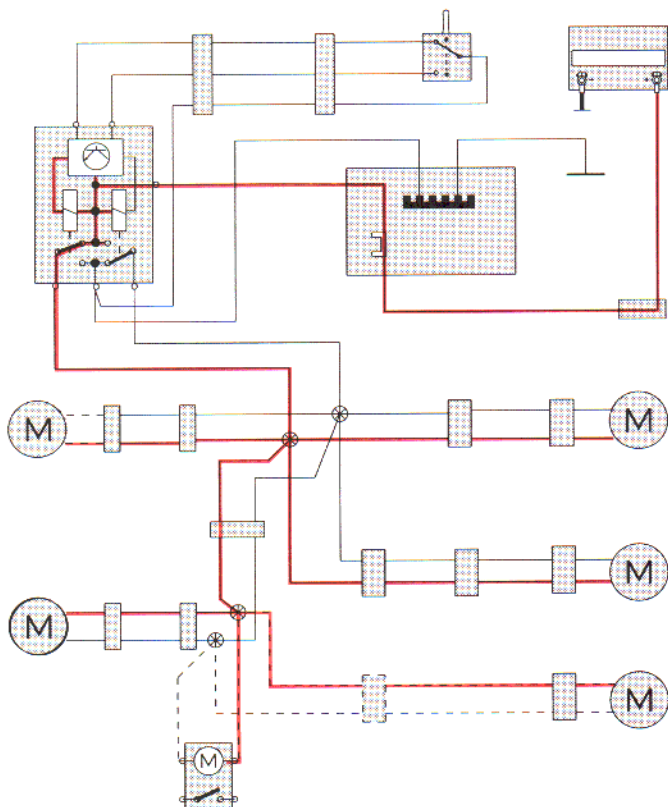




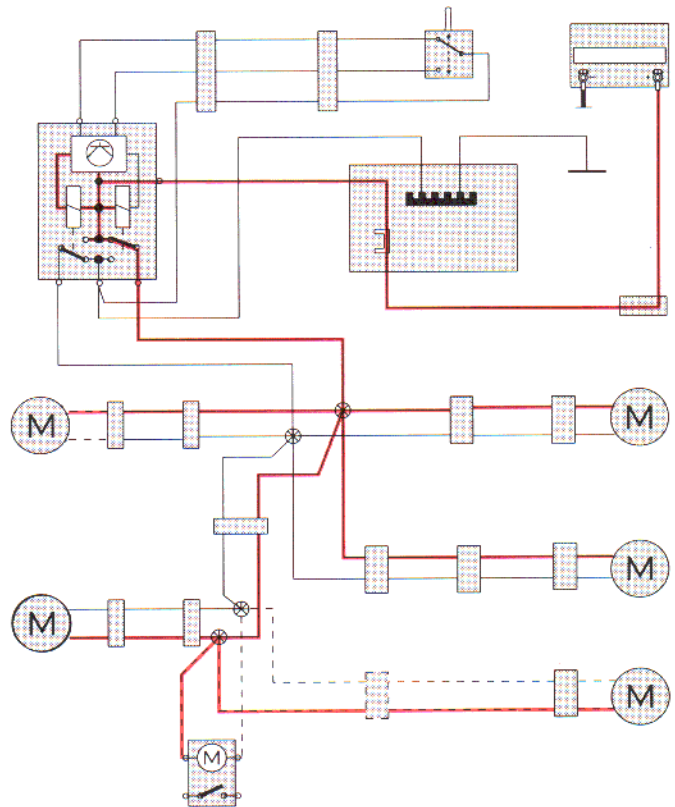
Central locking

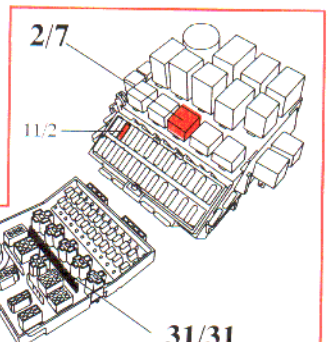
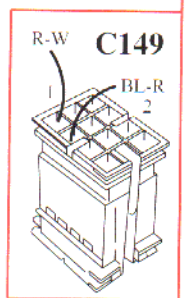
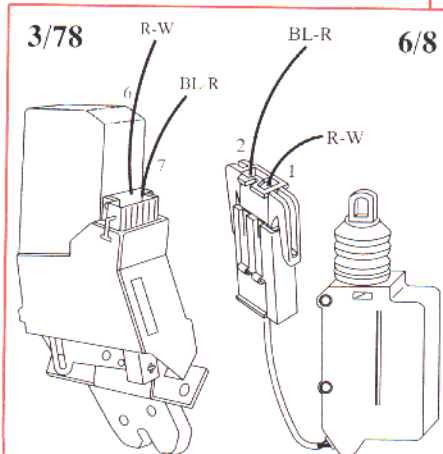
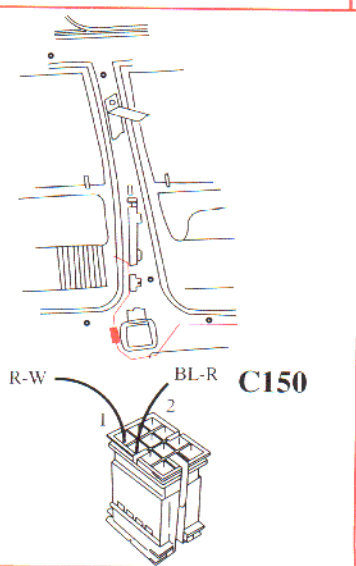
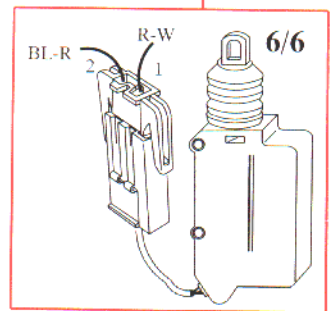
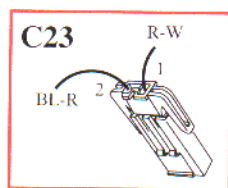
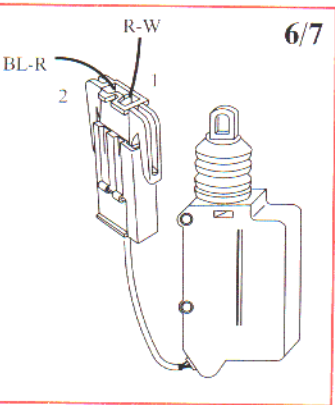
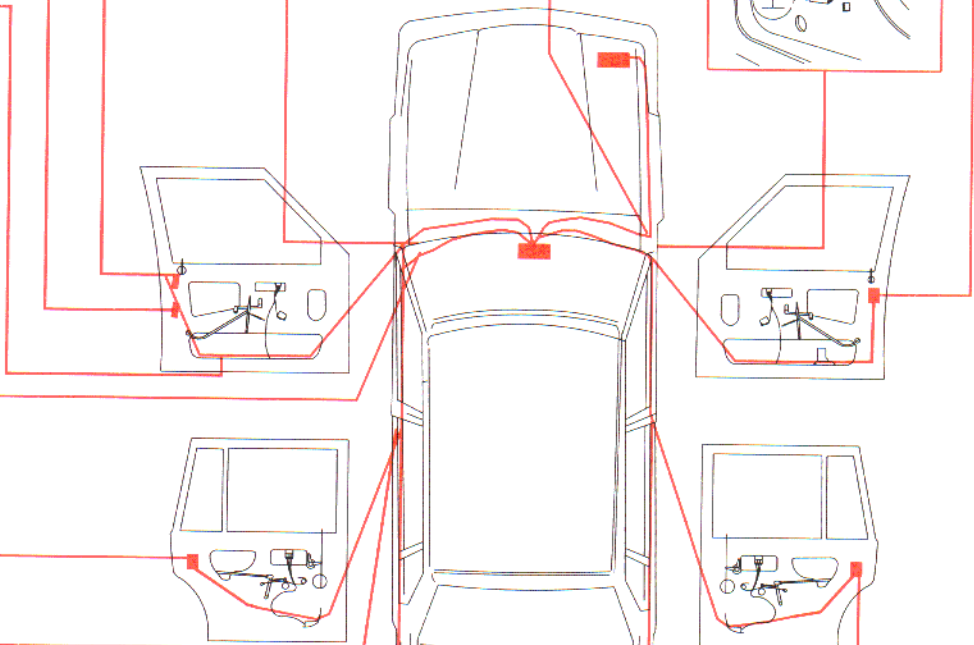
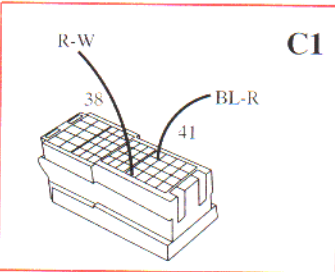
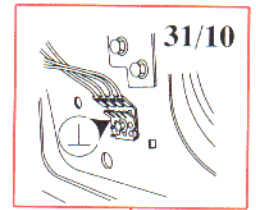
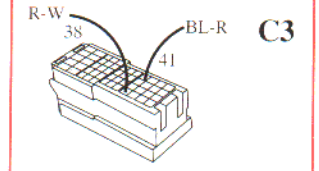
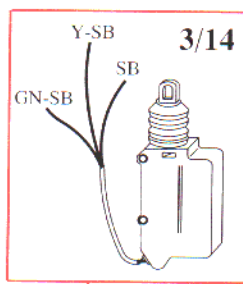
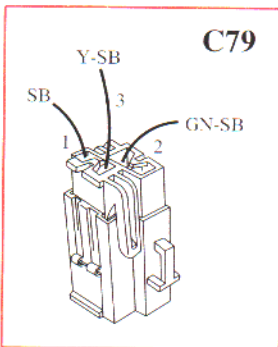
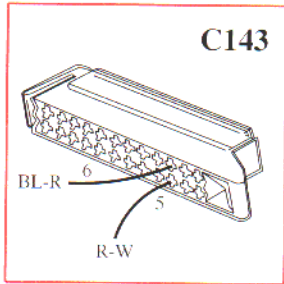
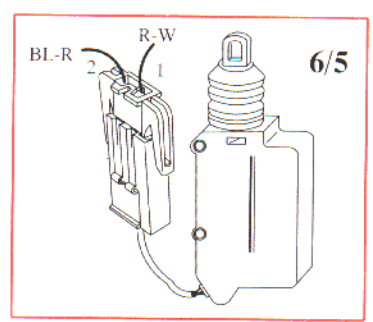
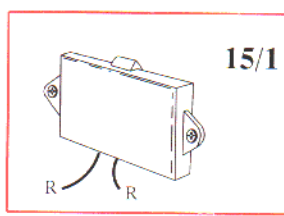
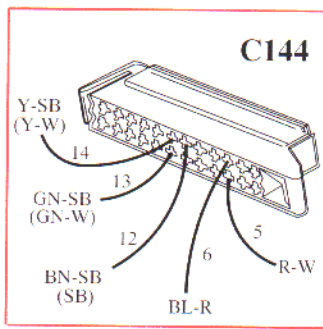
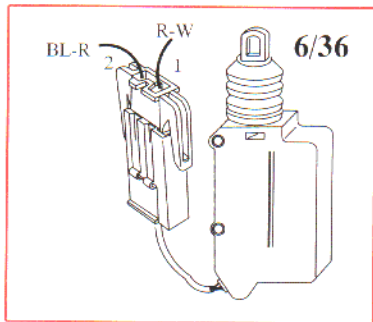


Unlocking with key



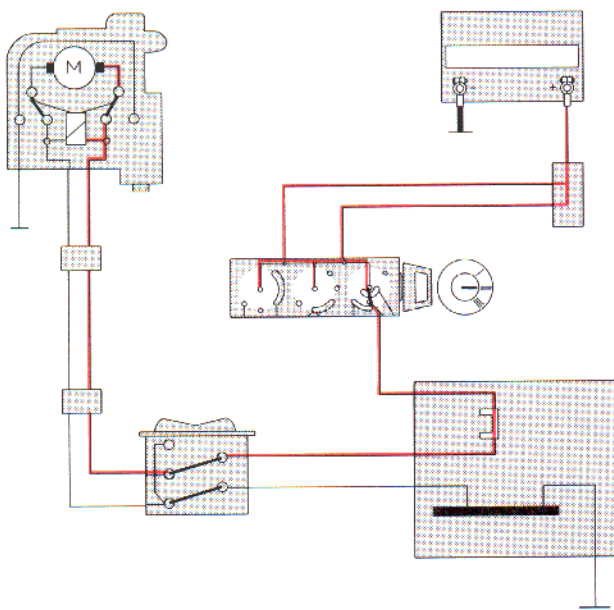
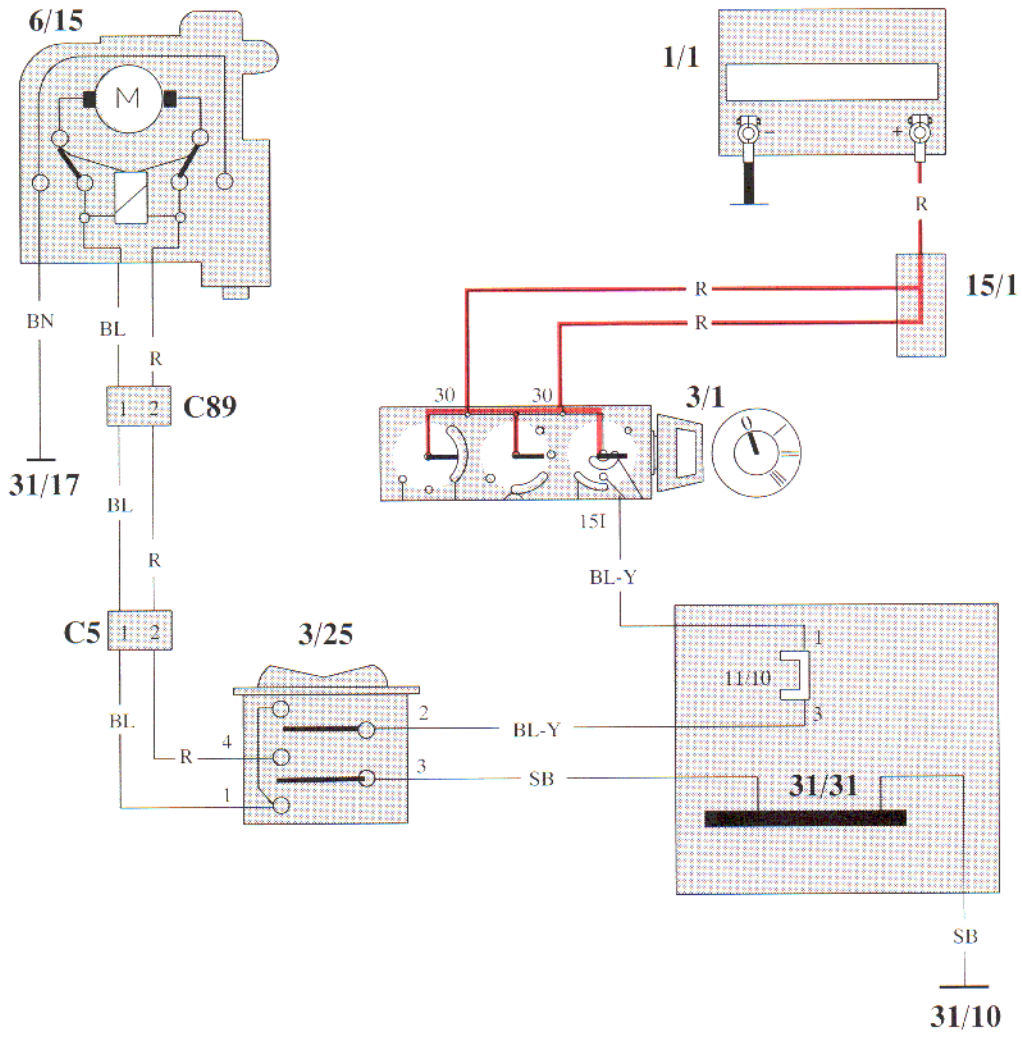
Locking with key



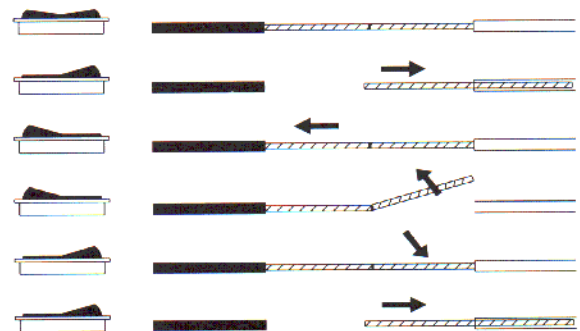


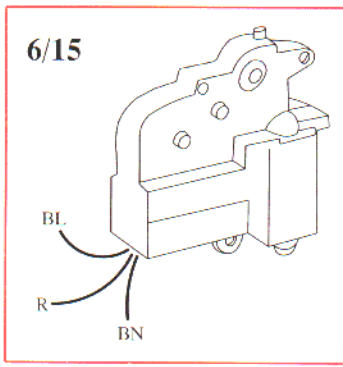
- 1 R
- 2 SB, BN-SB
- 3 BL-R
- 4 GN-SB
- 5 R-W
- 9 Y-SB

Power sunroof

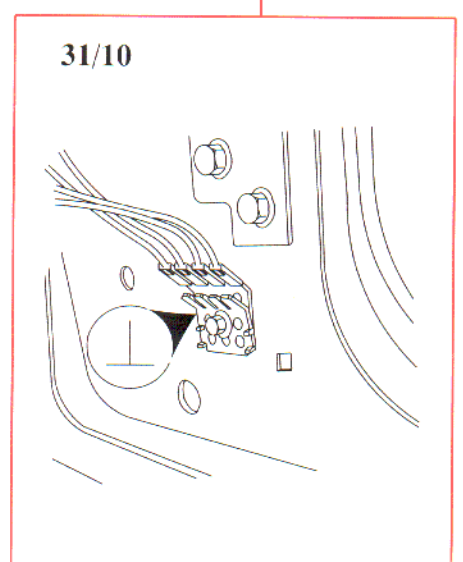
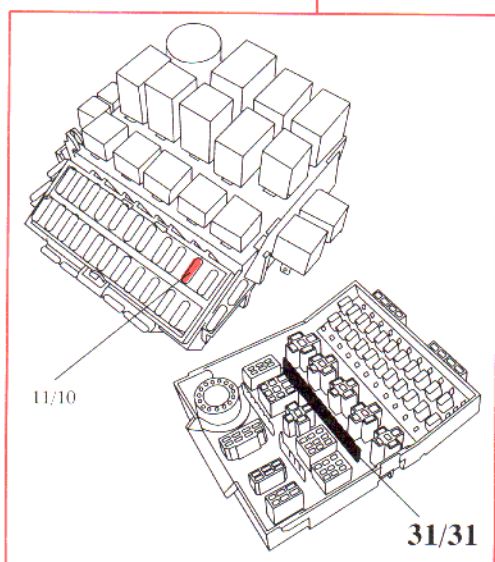
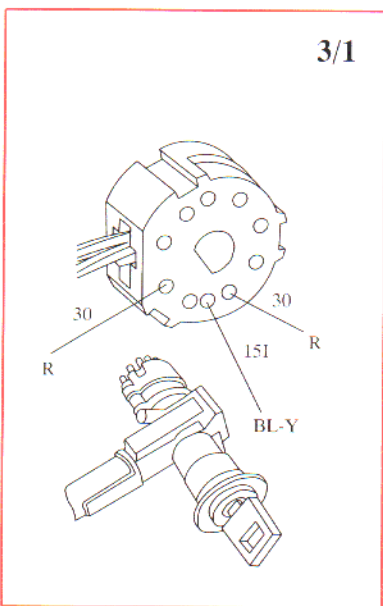
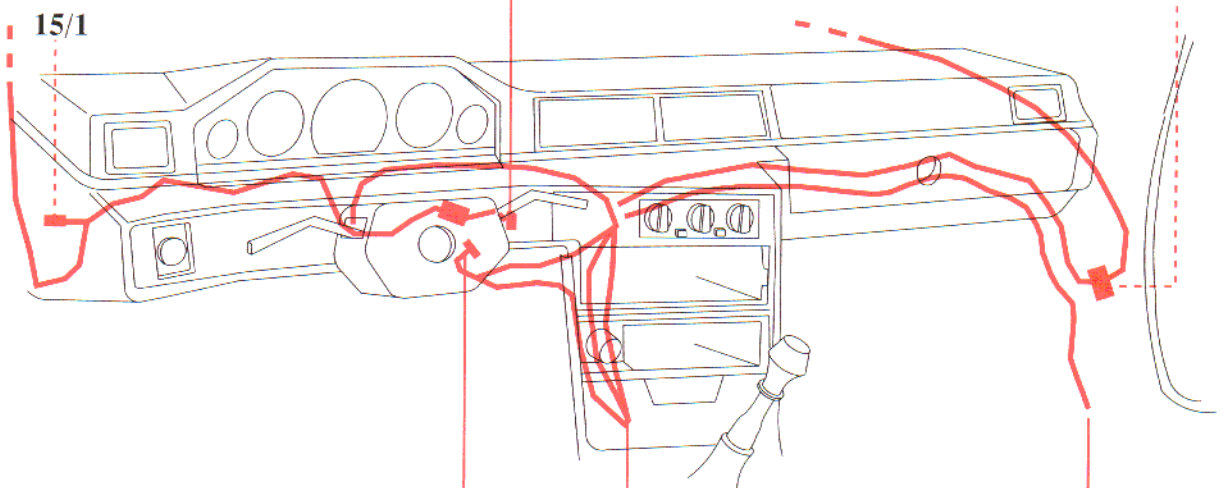
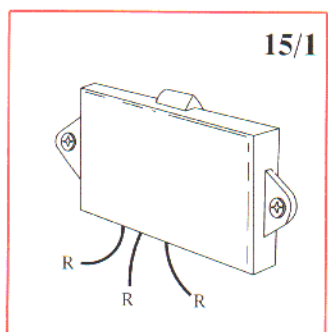
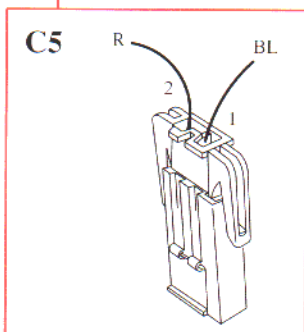
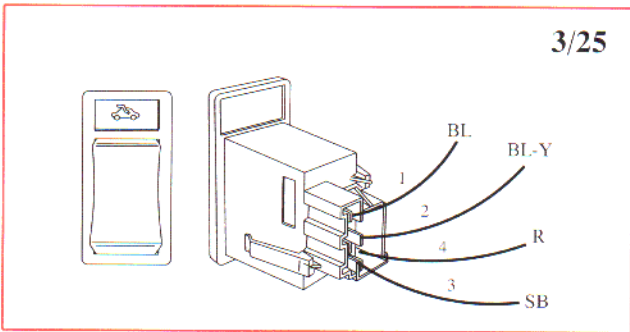
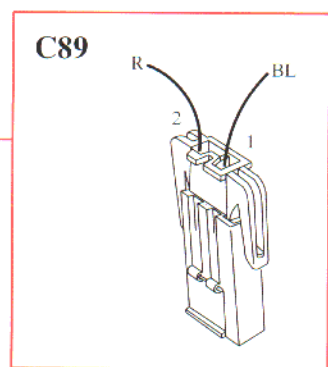
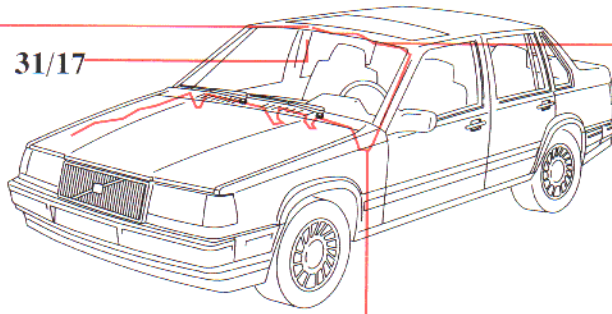


Sunroof operation

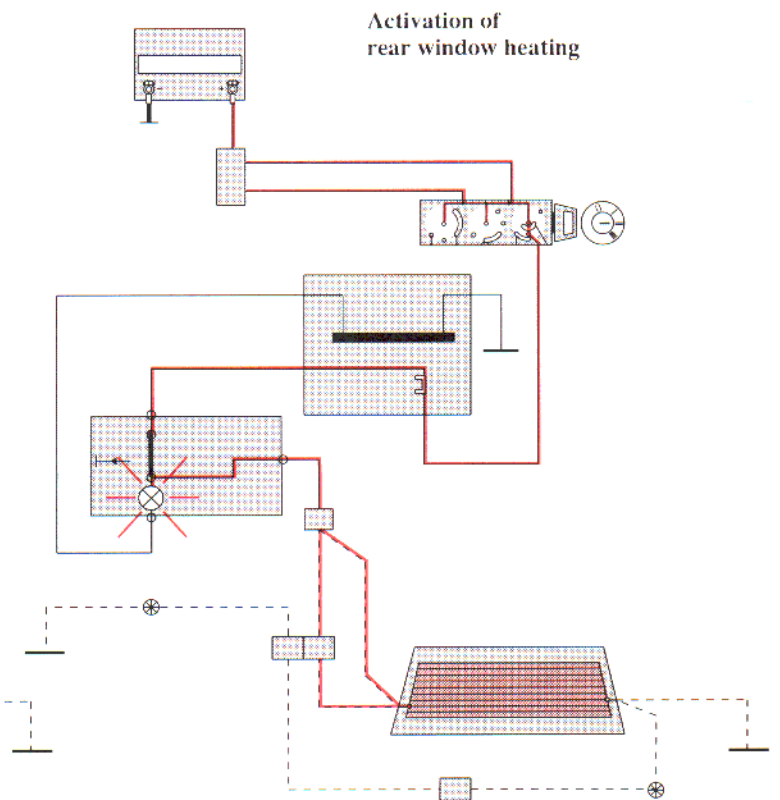
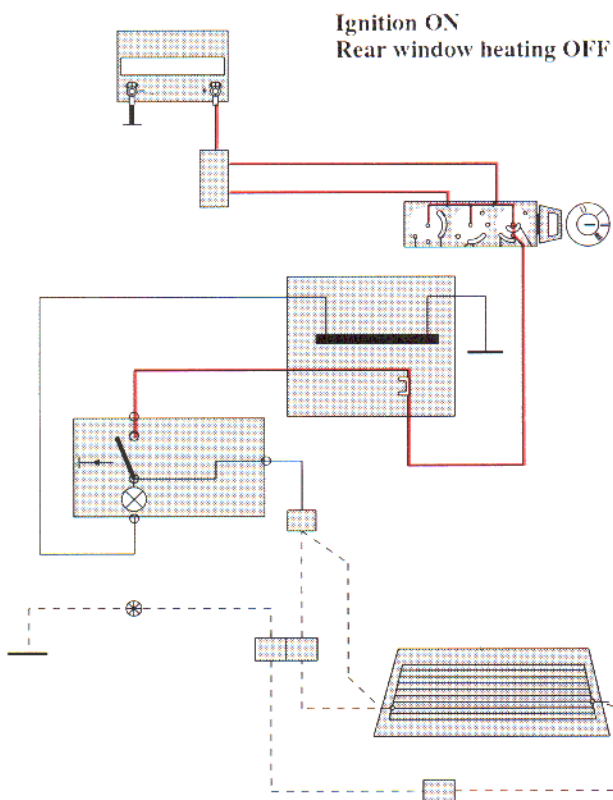
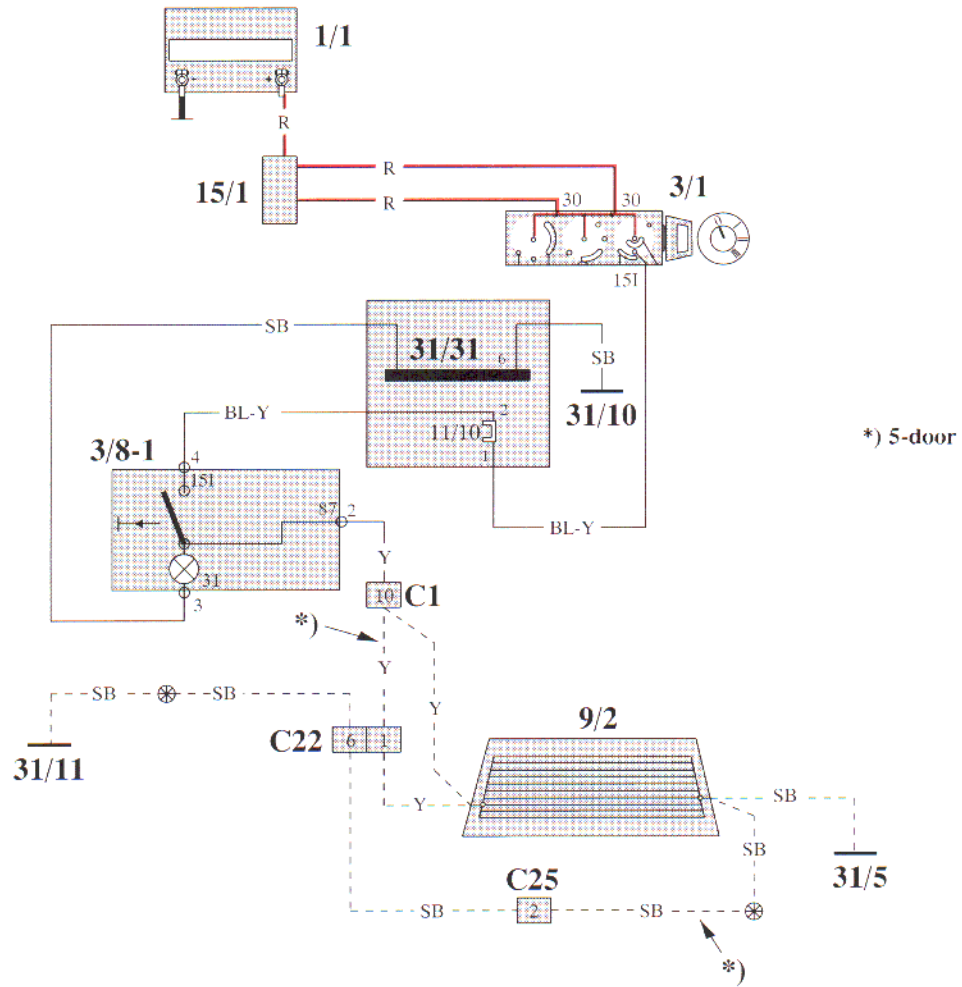


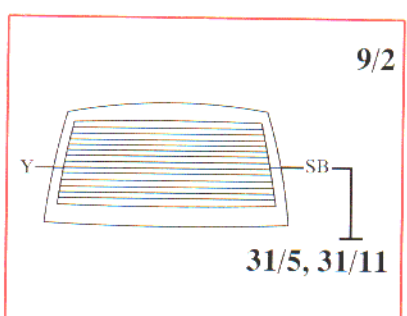
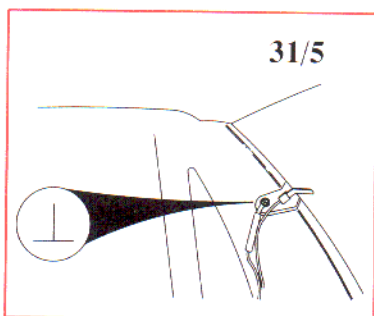
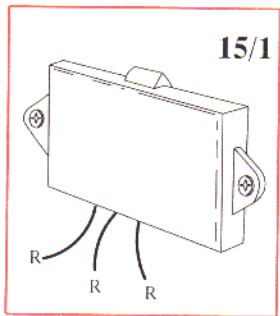
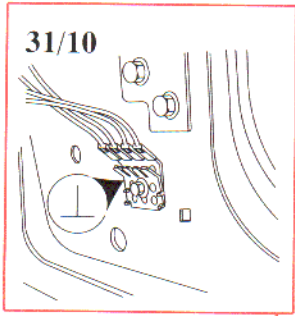


31/17

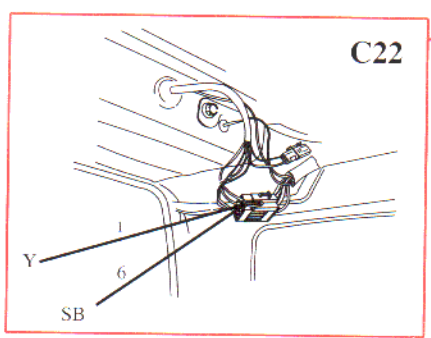
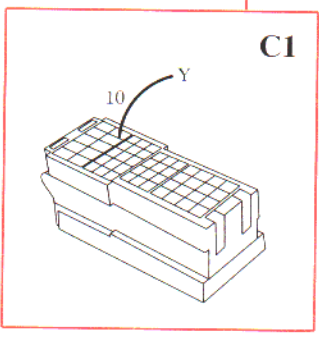
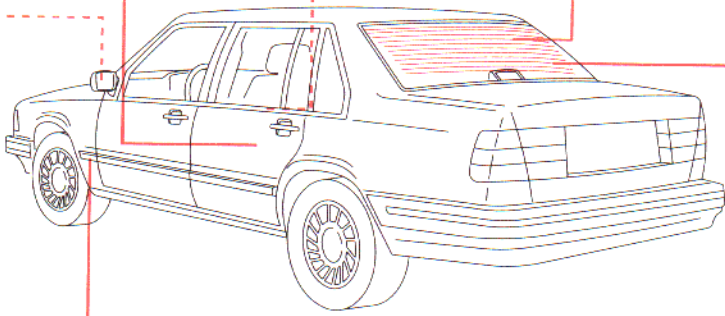


Heated rear window

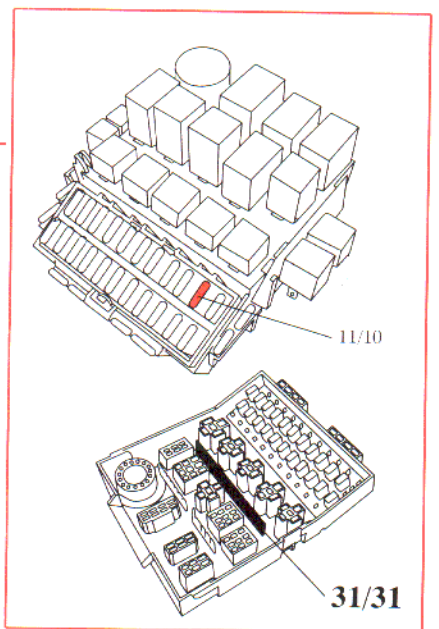
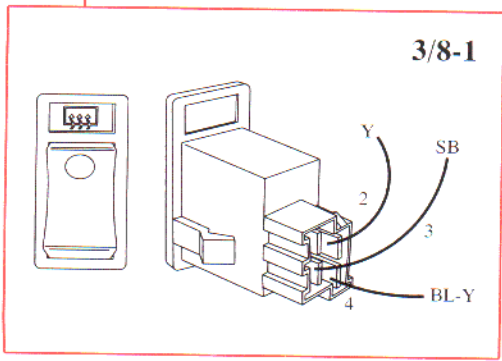
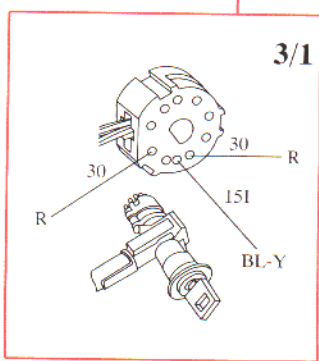
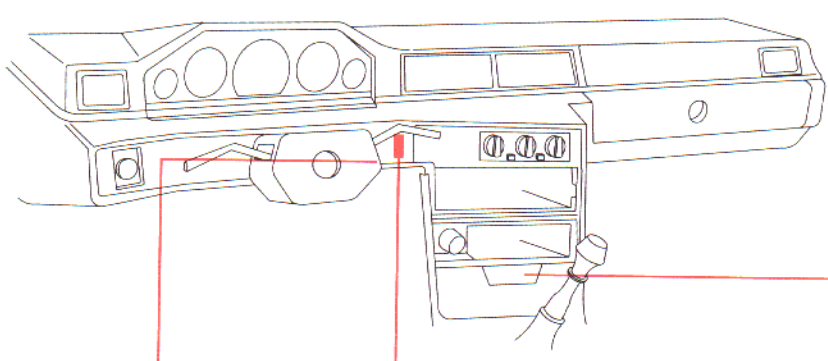
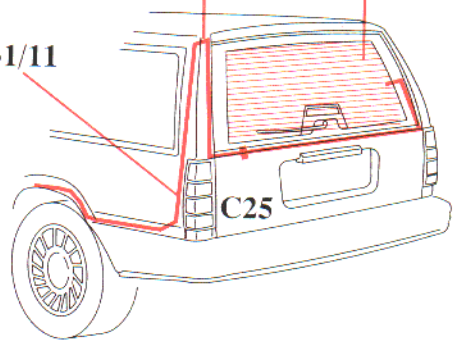




15/1

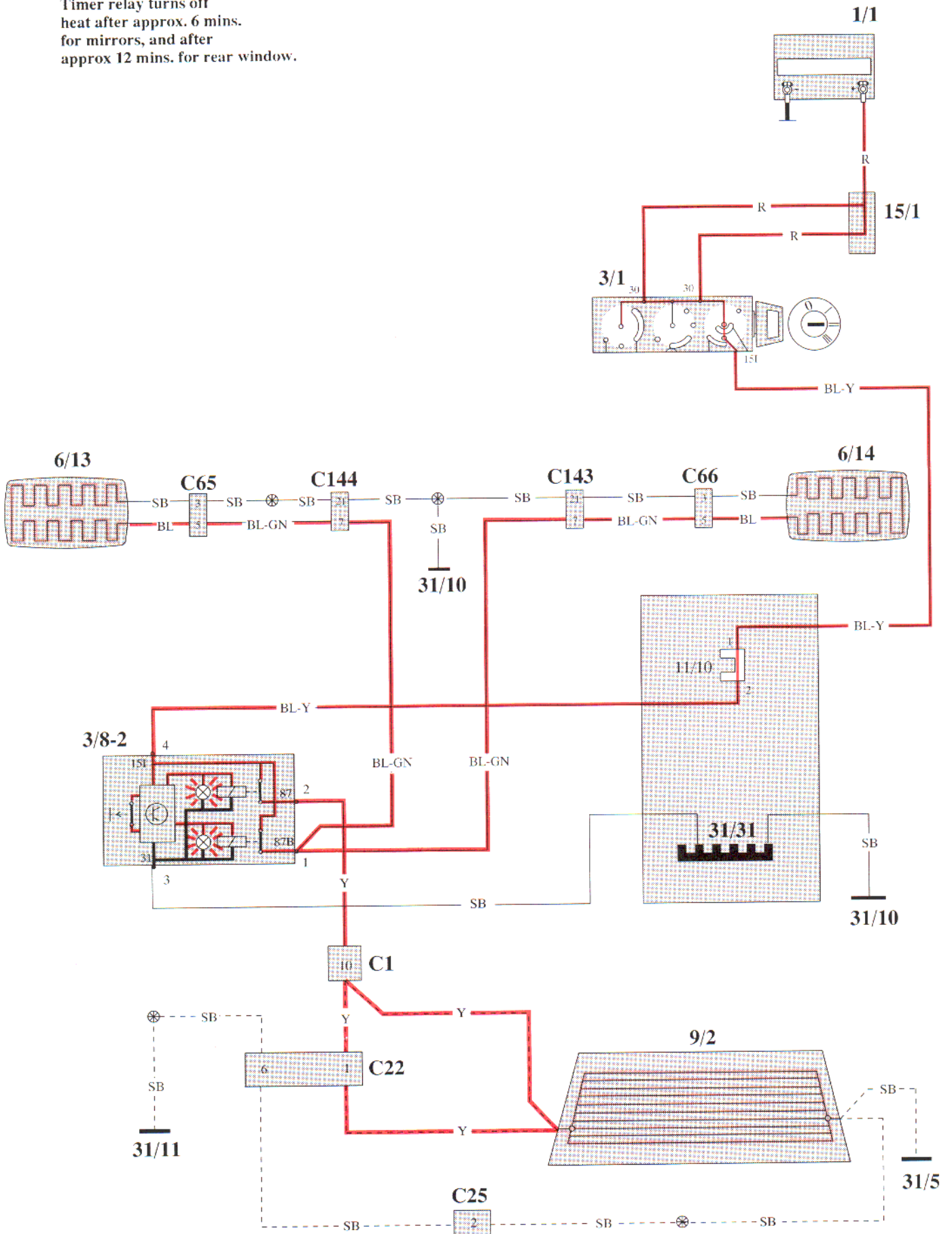


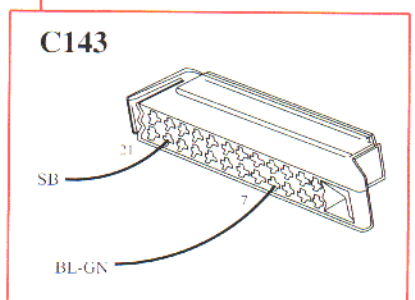
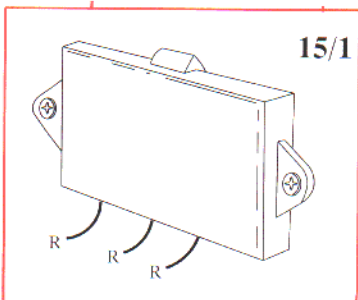
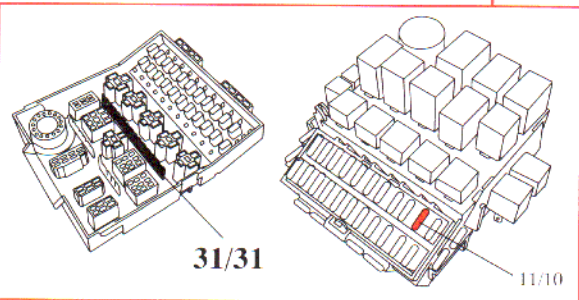
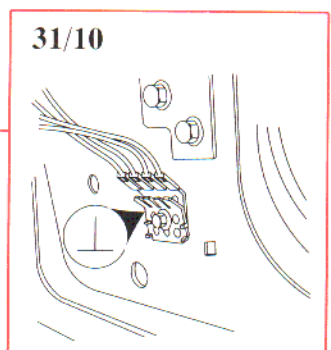
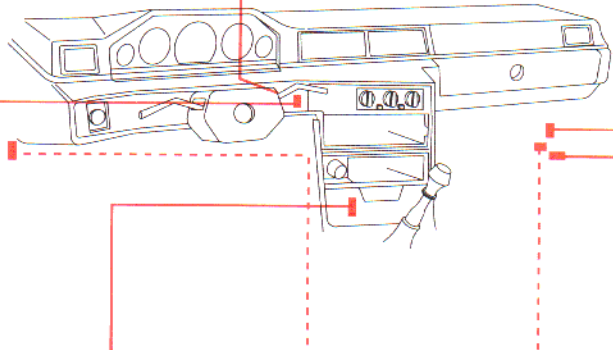
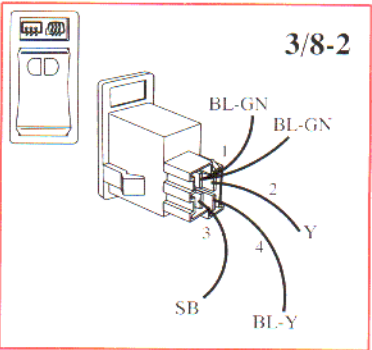
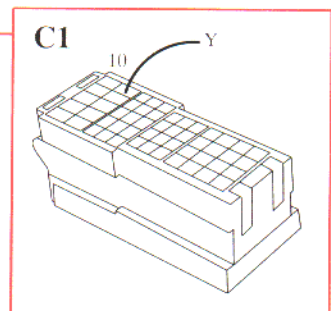
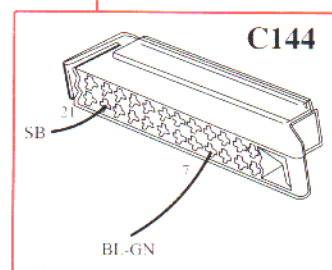
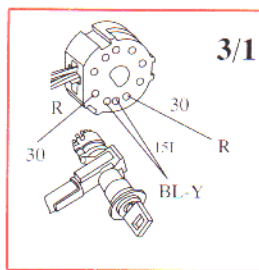
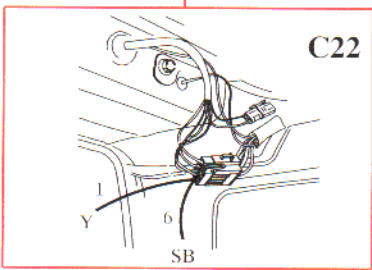
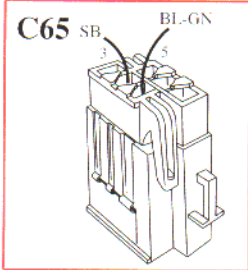
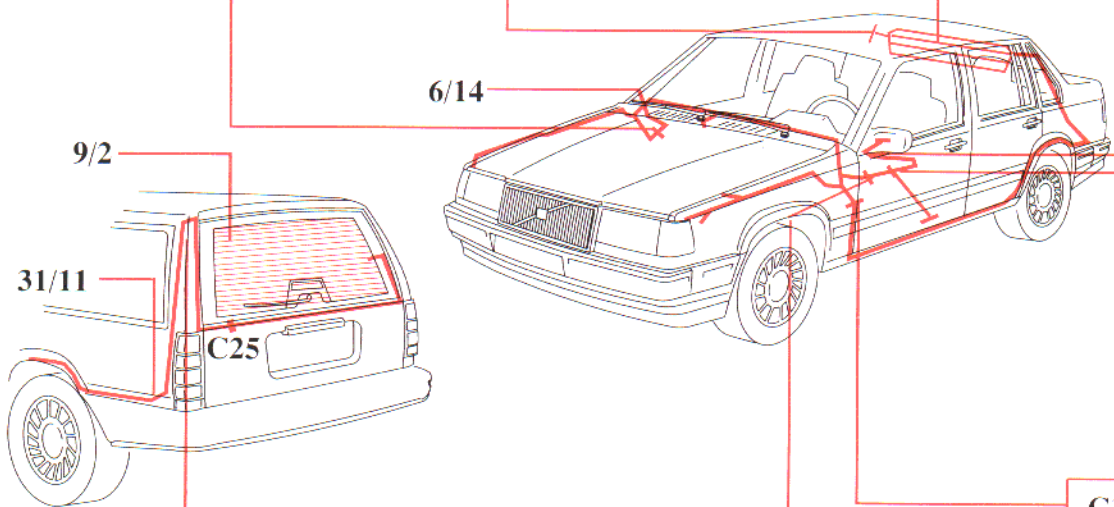
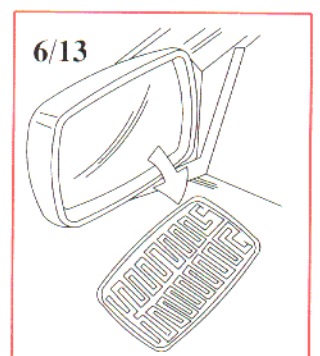
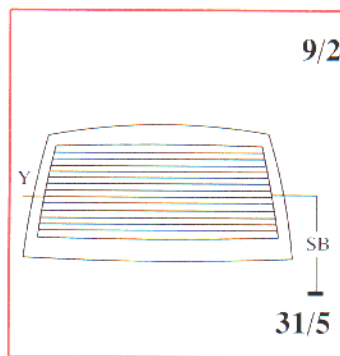
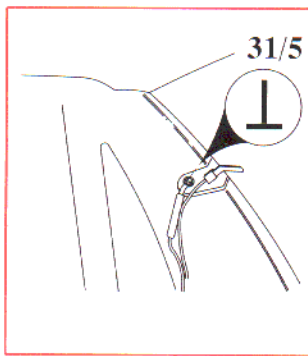
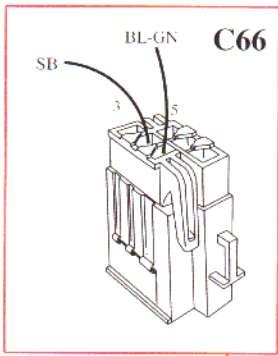
31/11



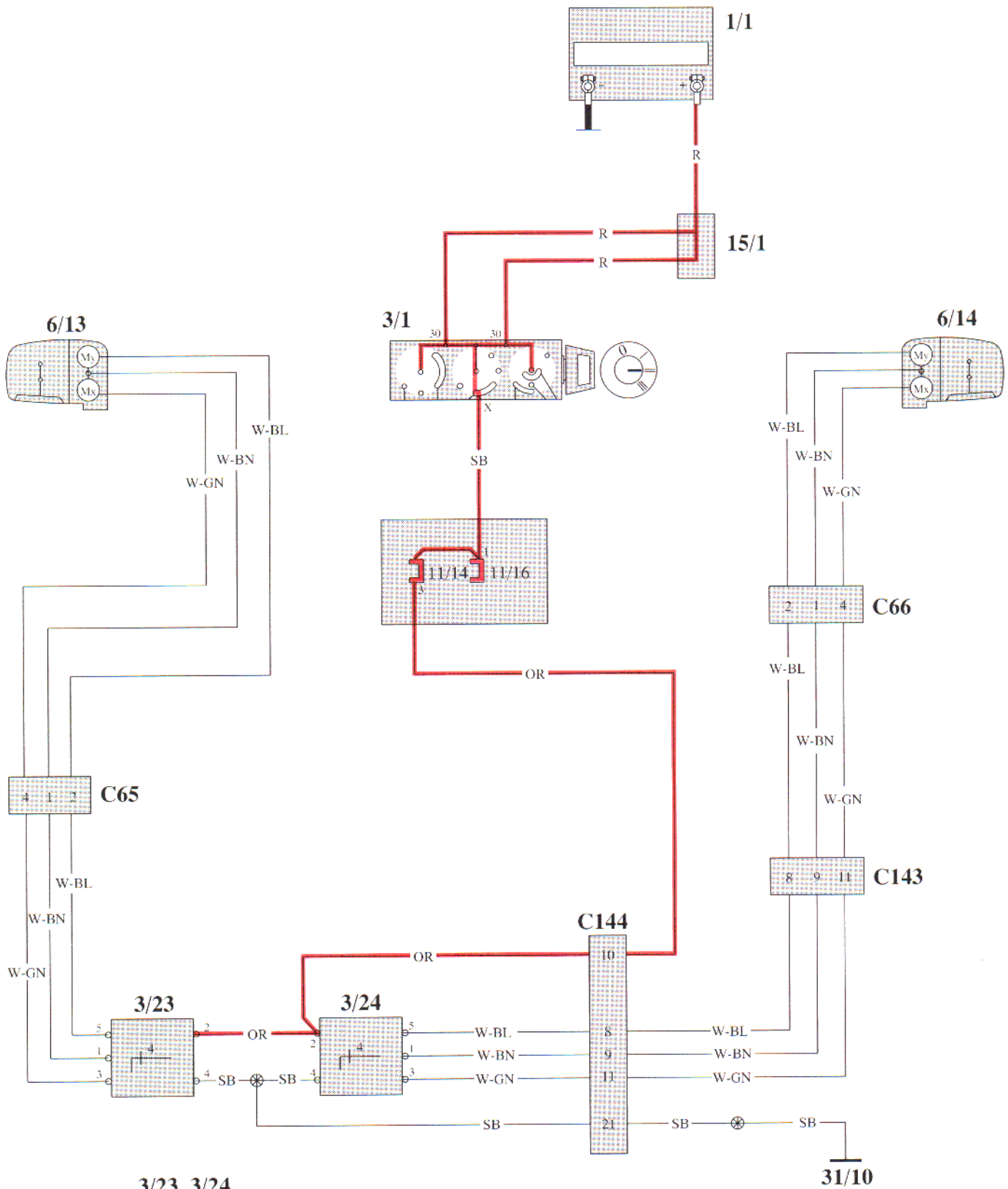
Heated rear window and door mirrors with timer relay

Rear window and door mirror heating ON.
 Timer relay turns off heat after approx. 6 mins.
 for mirrors, and after approx 12 mins. for rear window.



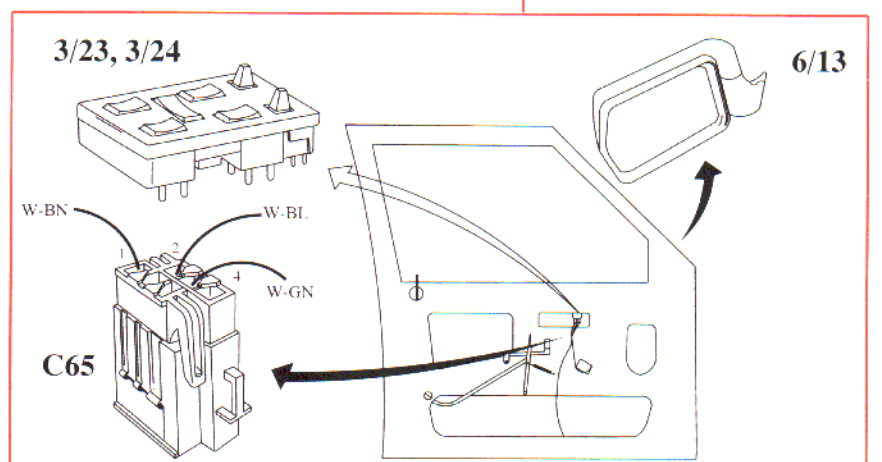
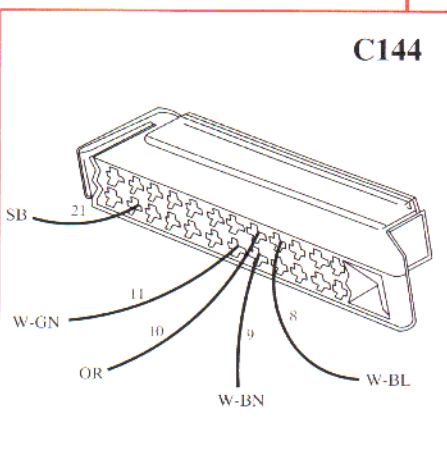
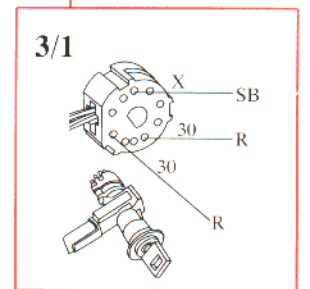
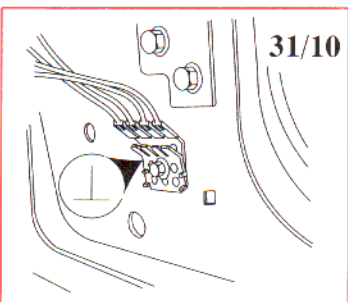
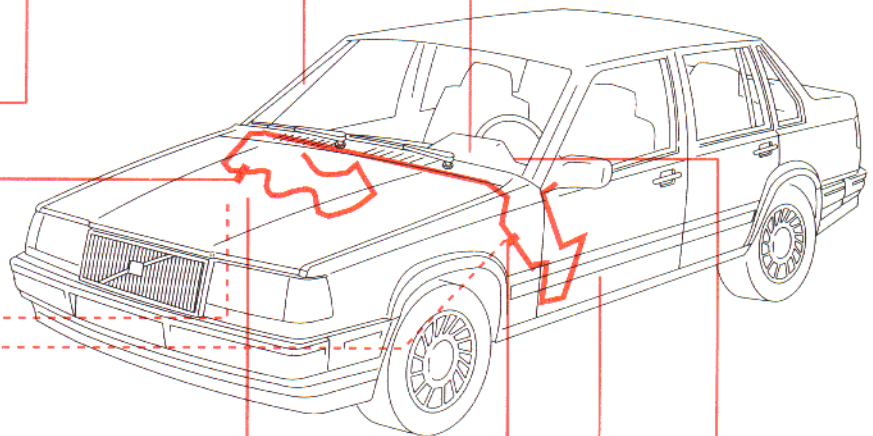
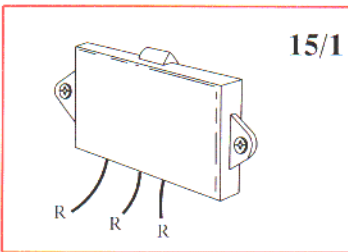
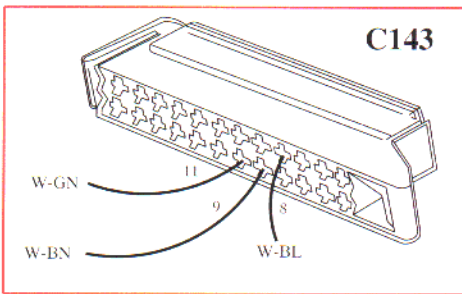
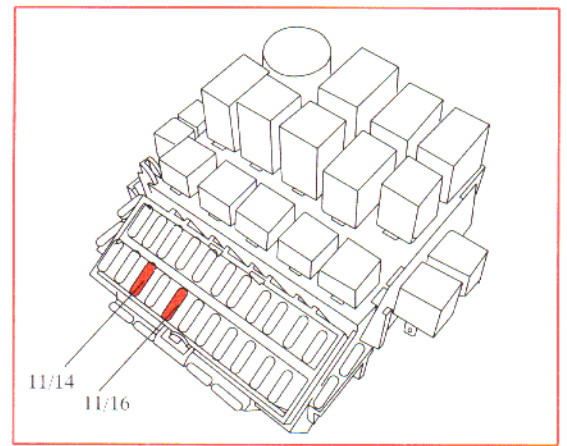
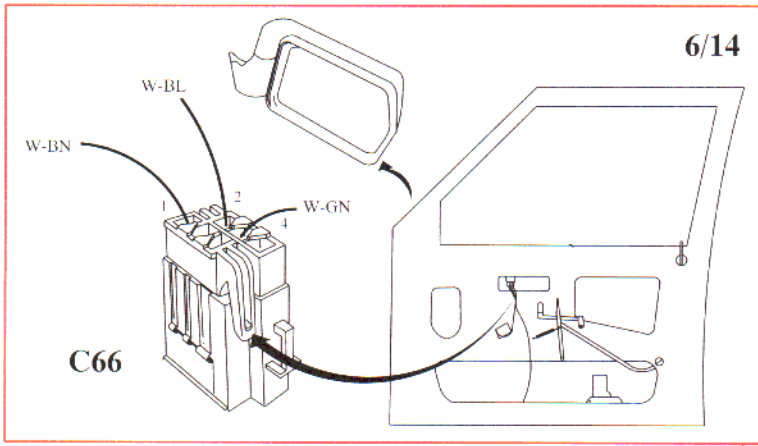


Power door mirrors

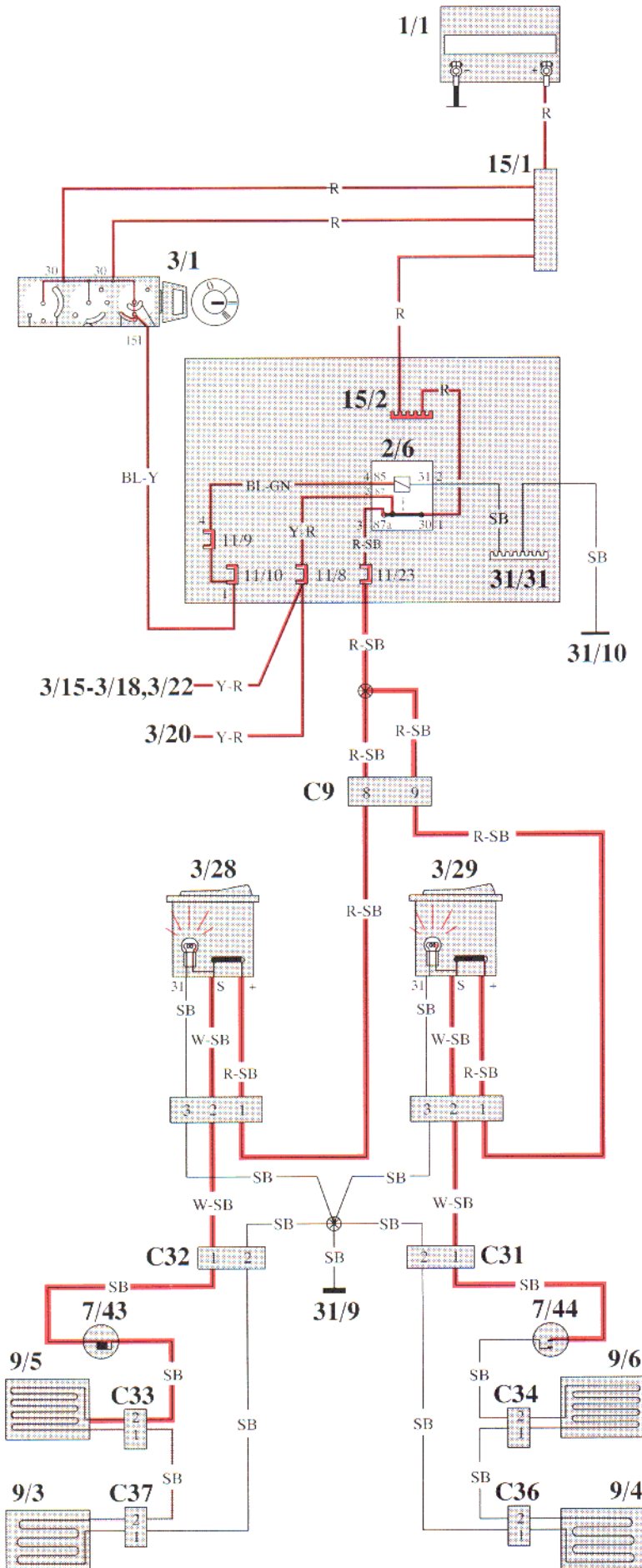


3/23, 3/24

Position		Terminal				
		1	2	3	4	5
Y1	Y1	X	X	X	X	
Y2	Y2	X	X	X	X	
X2	X1	X	X		X	X
Y2	X2	X	X		X	X



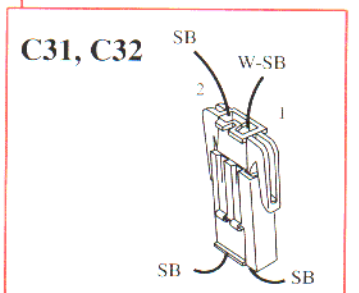
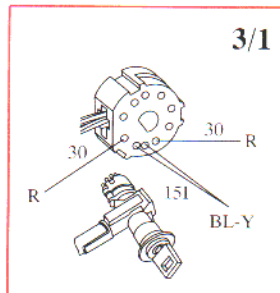
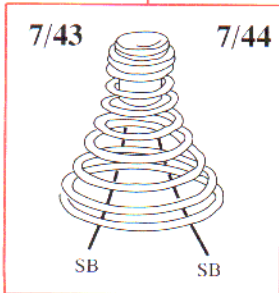
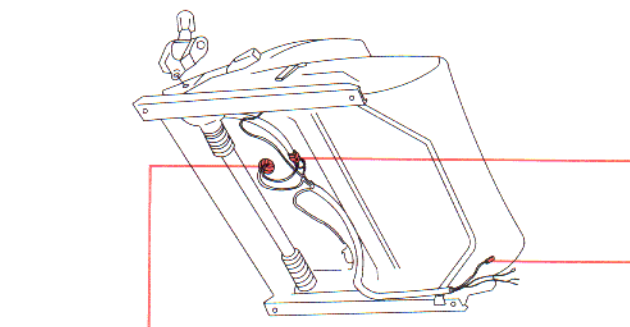
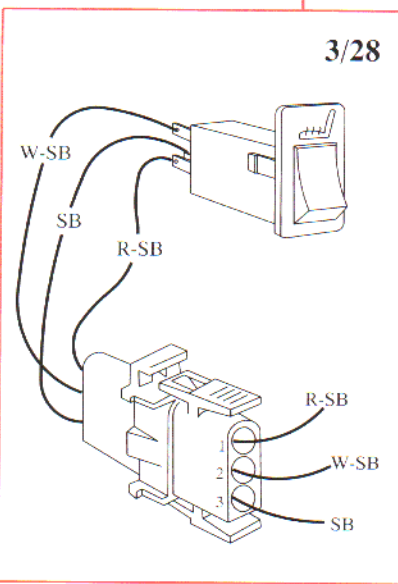
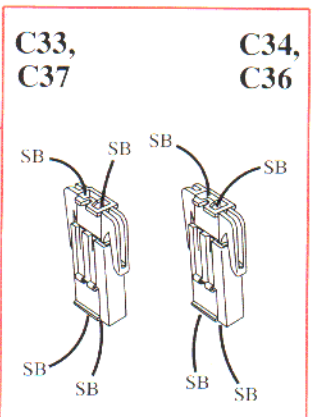
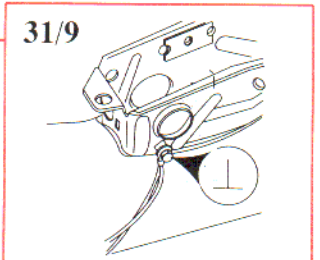
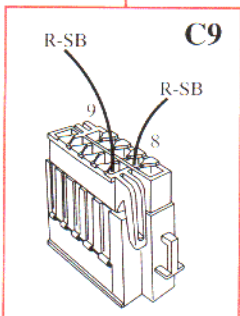
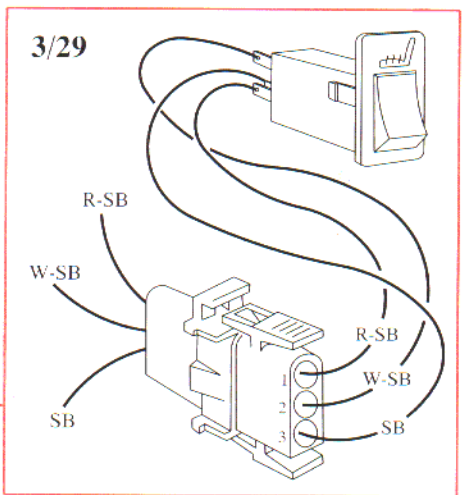
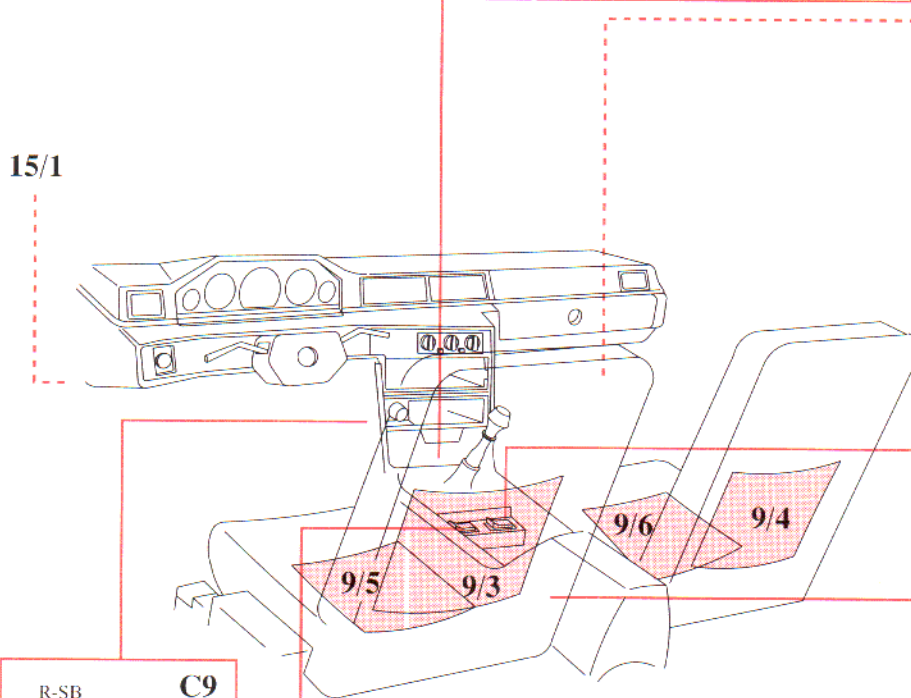
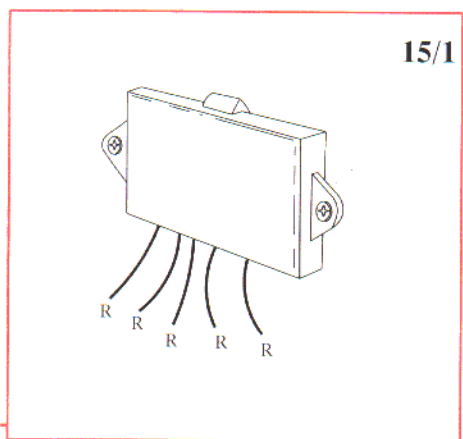
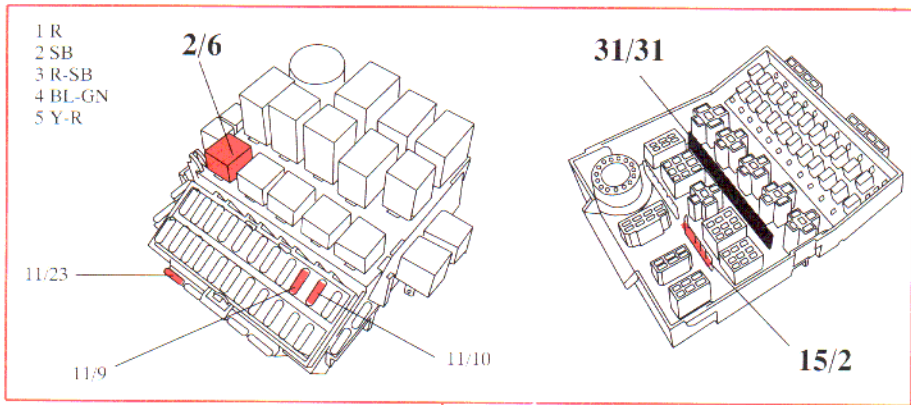
Heated driver's/passenger's seat, normal output



Thermostat activated at +14 C
and deactivated at +26 C

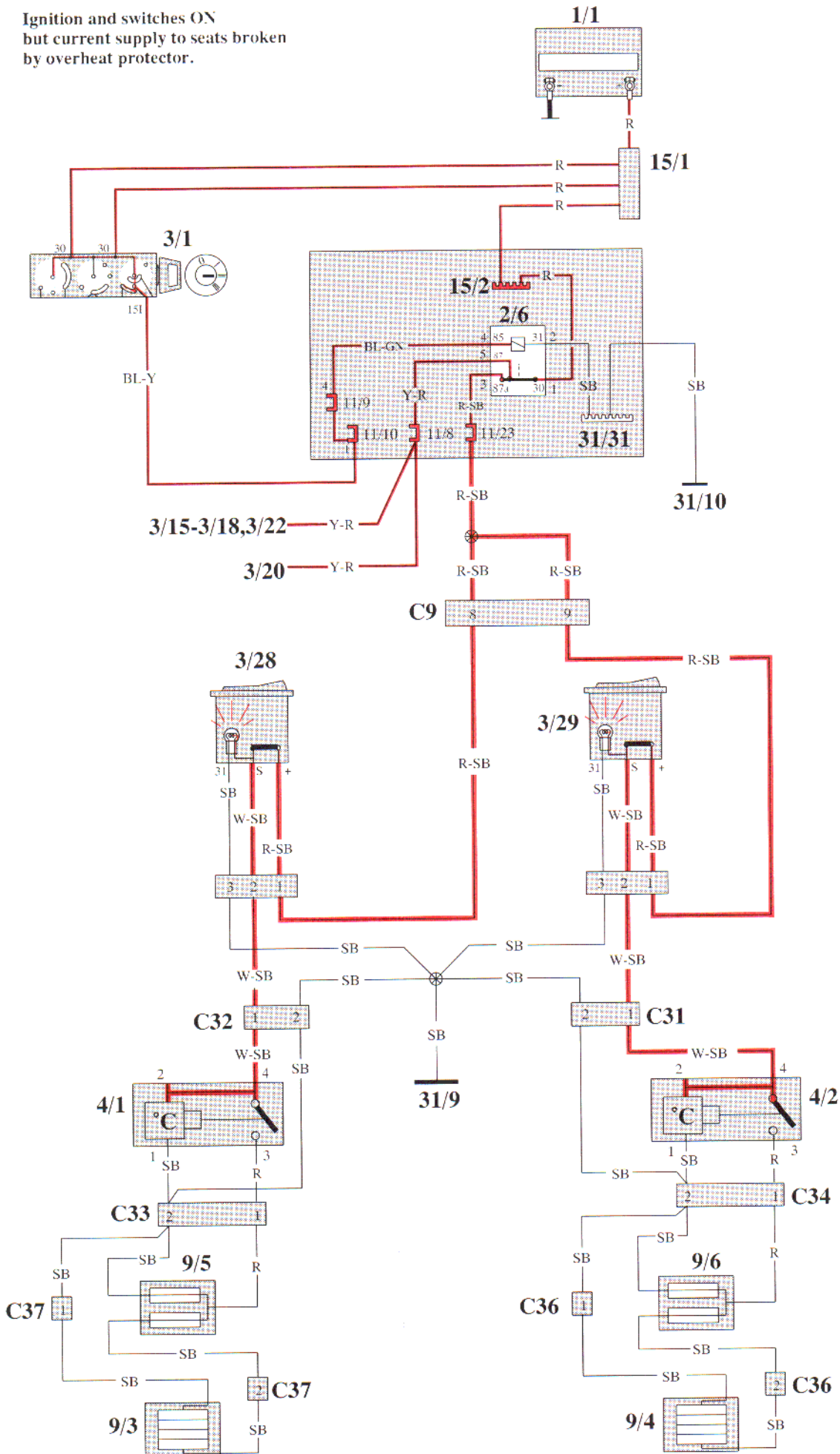
Temperature above +26 C: heater
elements switched OFF by thermostat

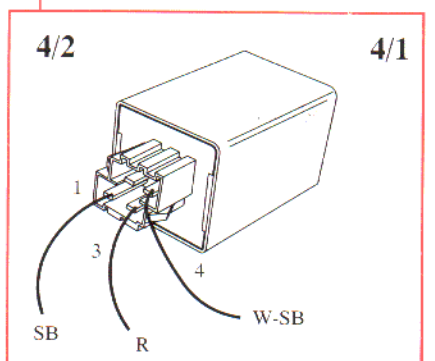
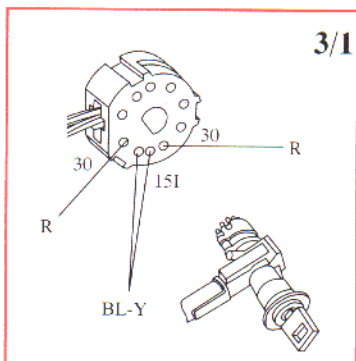
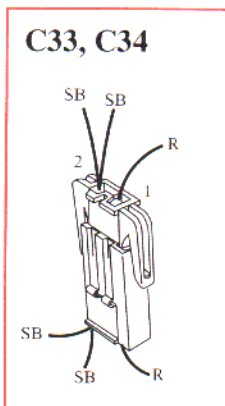
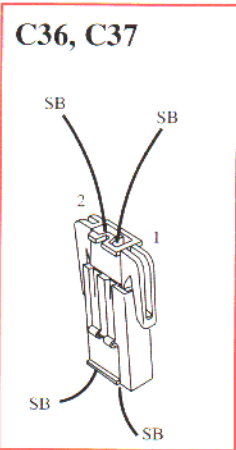
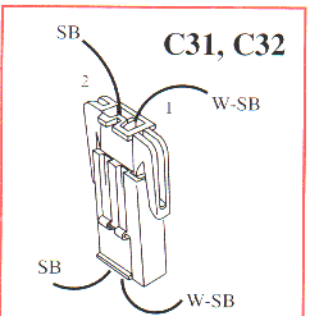
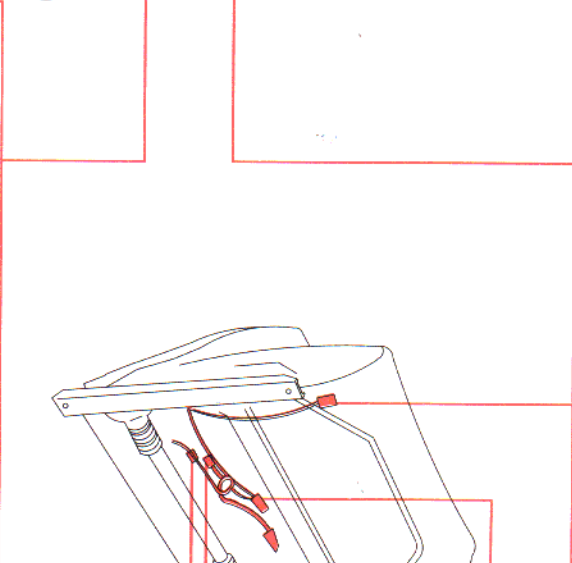
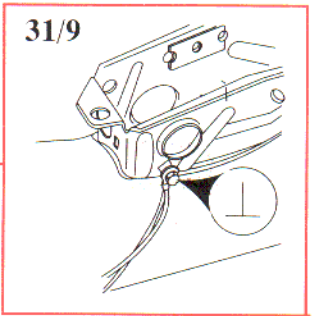
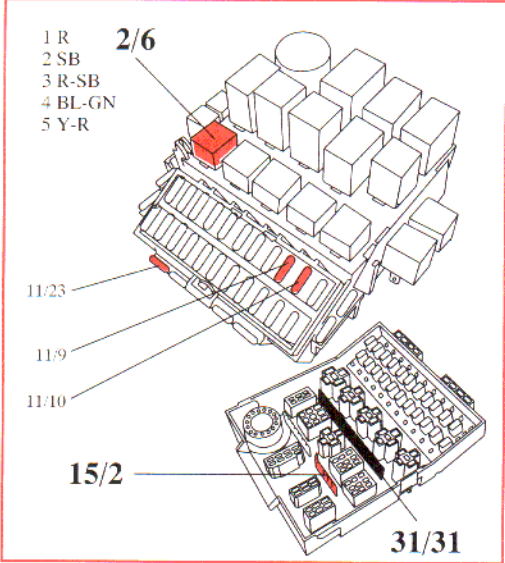
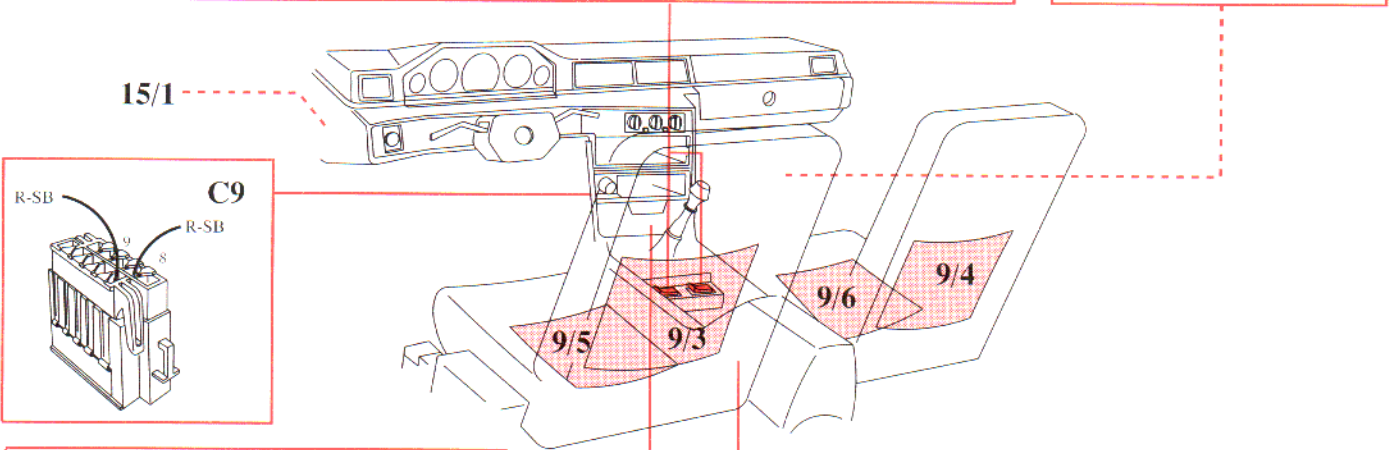
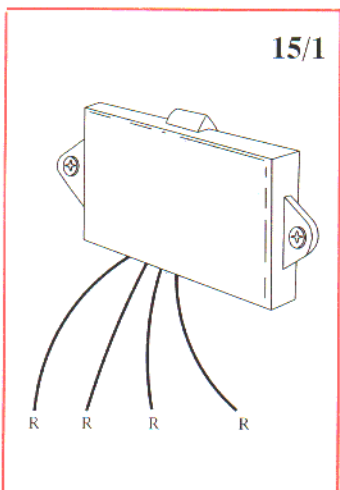
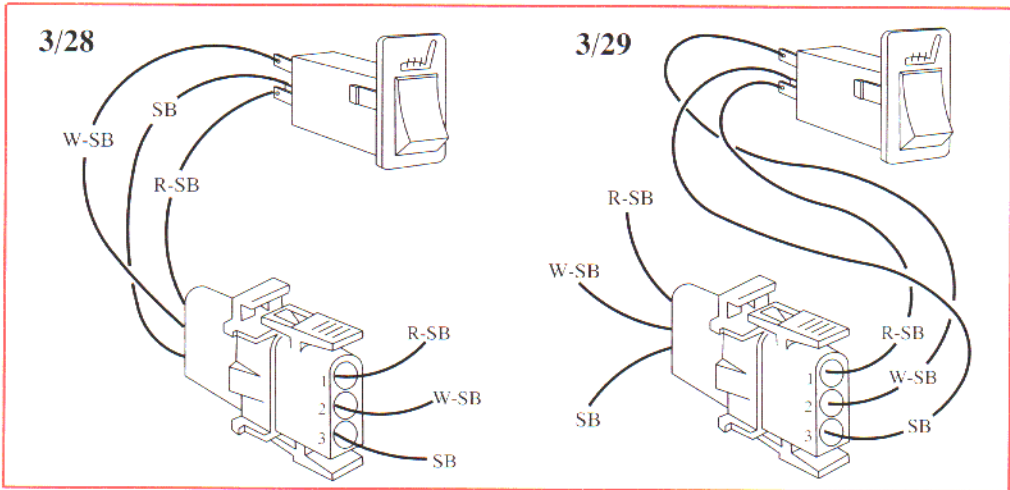
Ignition ON and passenger's
seat also ON



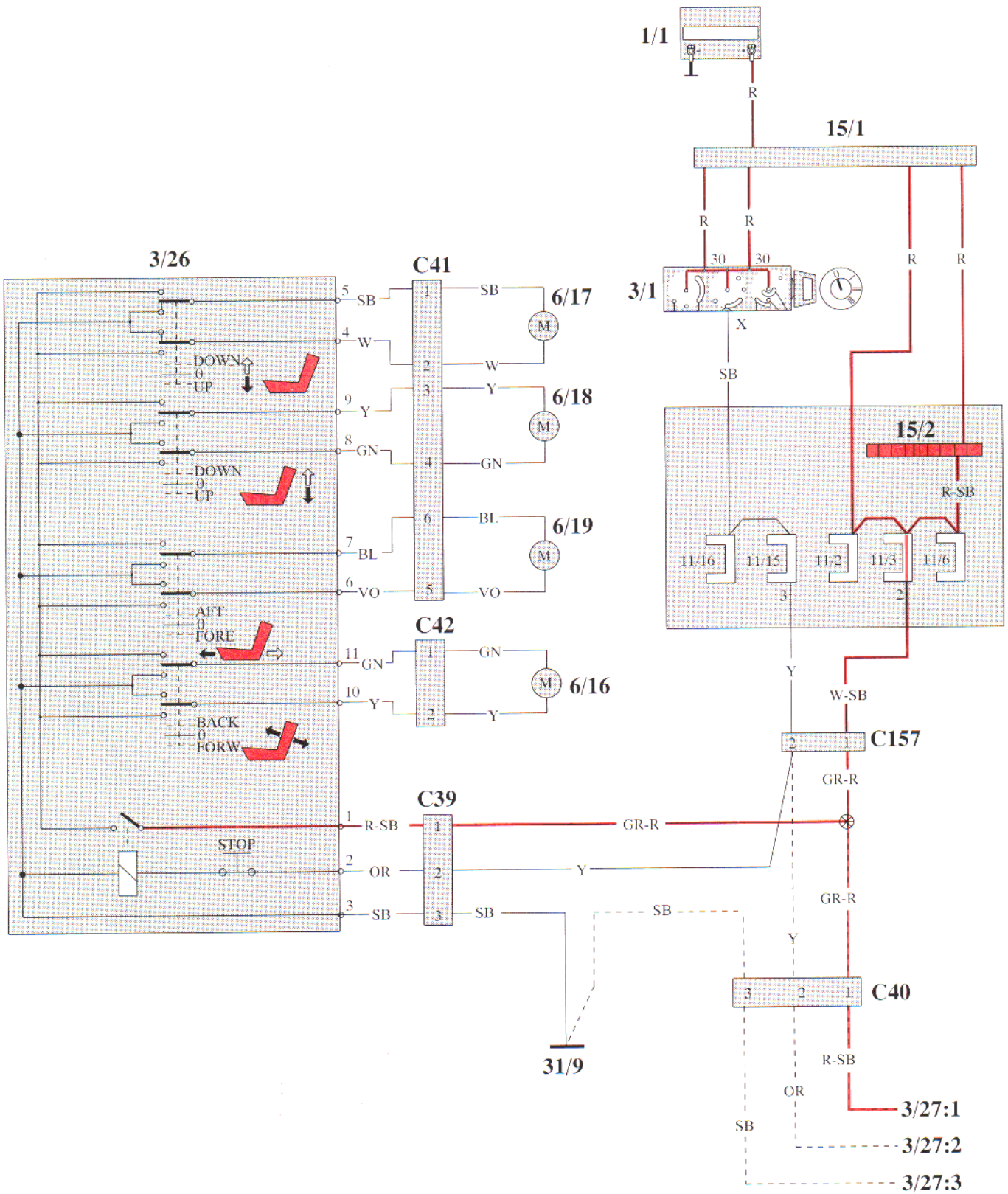
Heated driver's/passenger's seat, high output

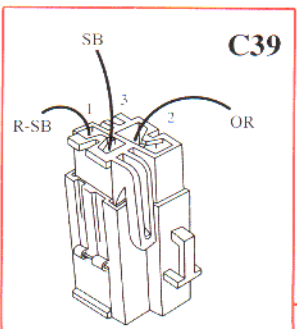
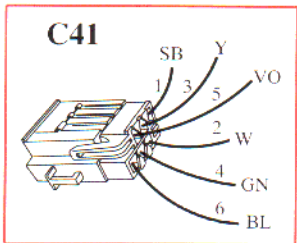
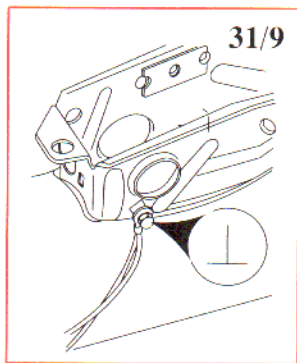
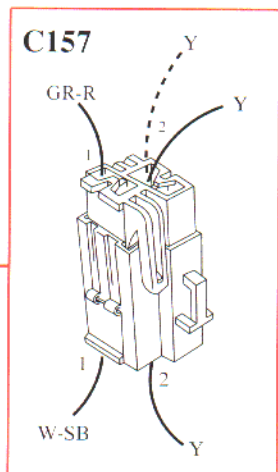
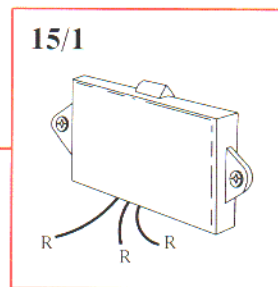
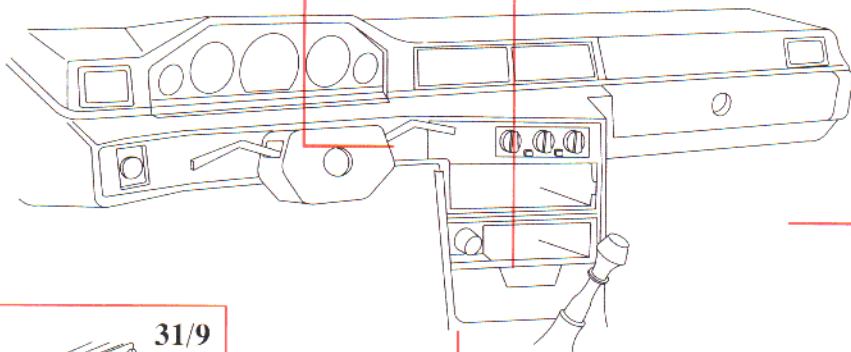
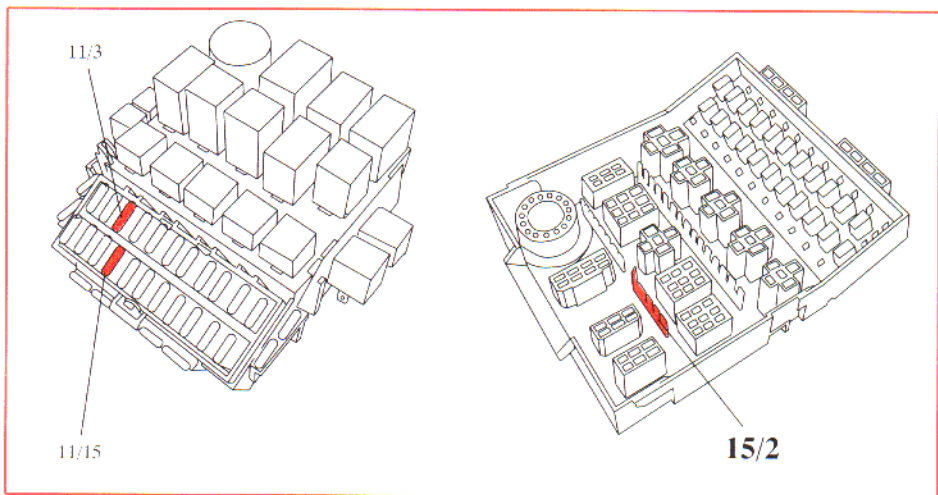
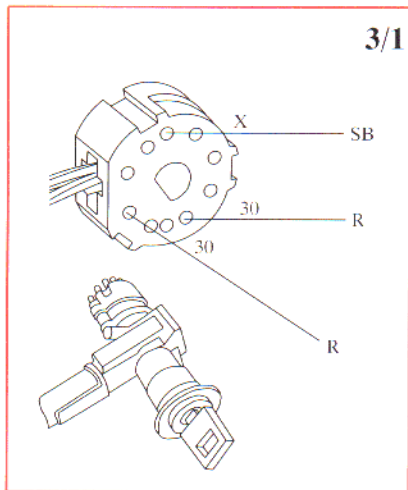
Ignition and switches ON
but current supply to seats
by overheat protector.



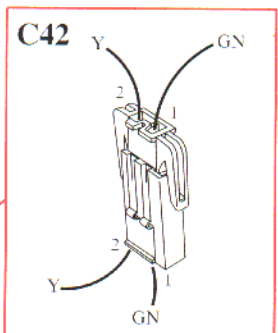


Power seat





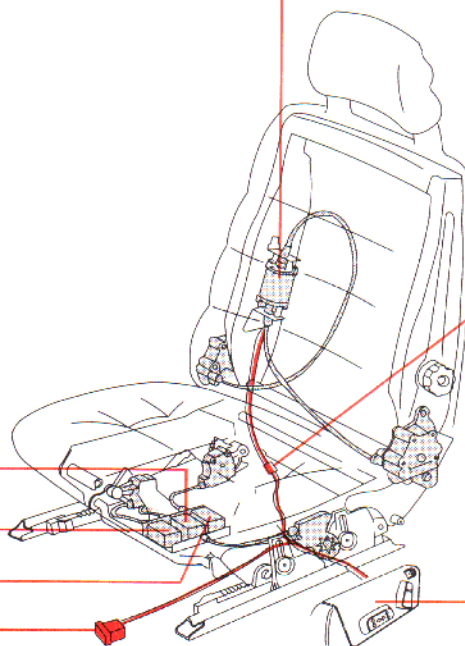
6/16



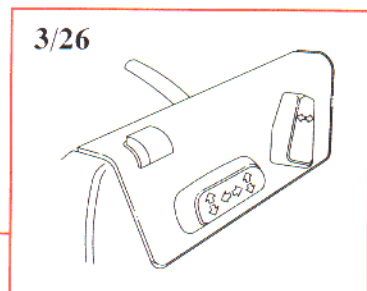
6/19

6/17

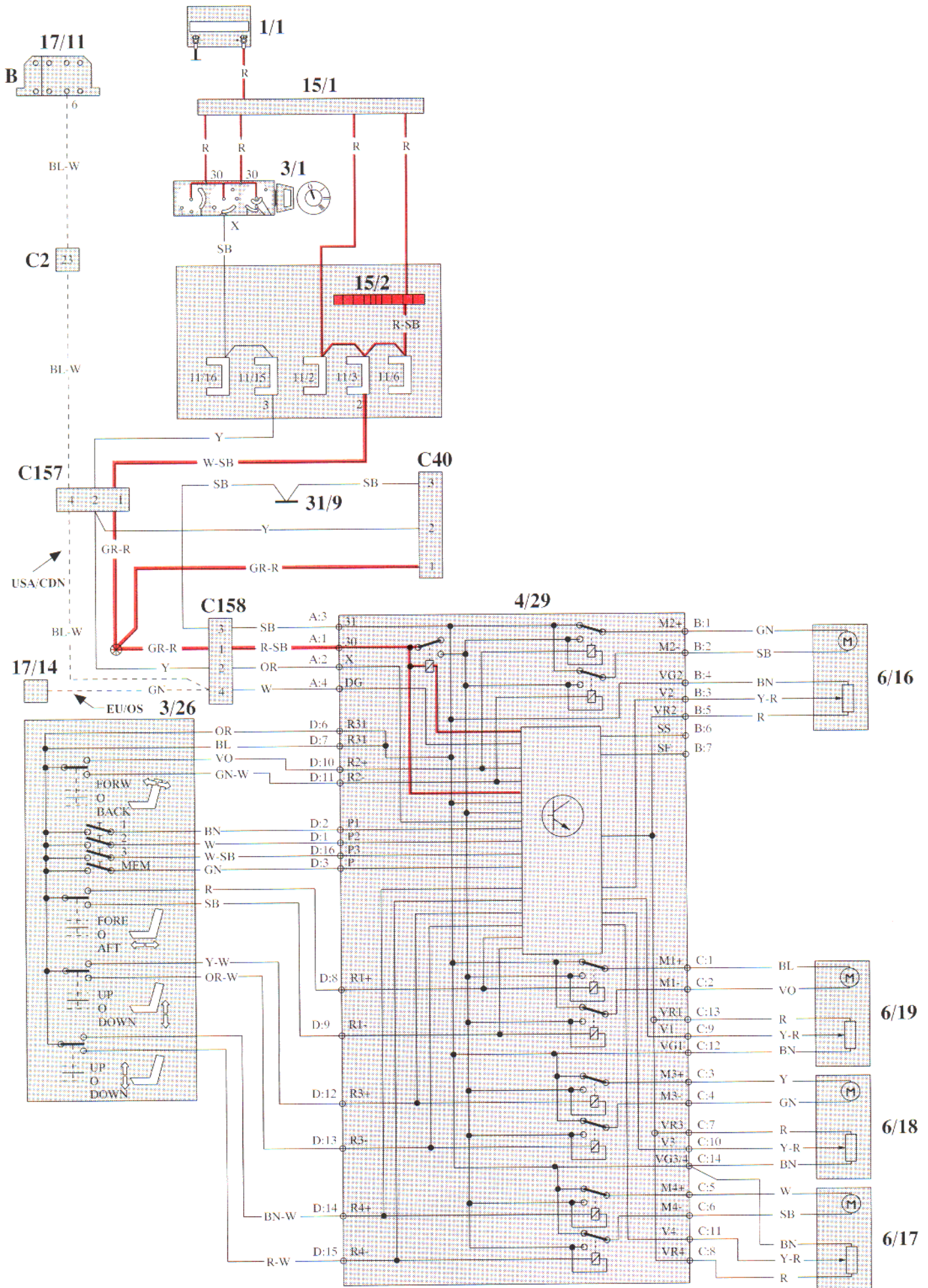
6/18

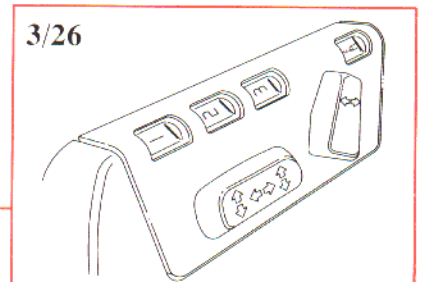
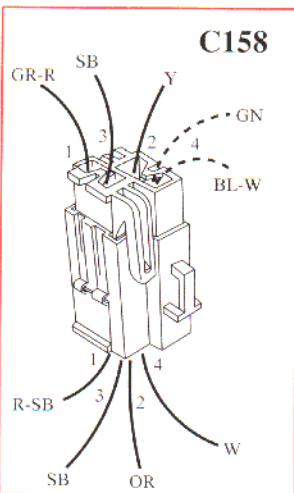
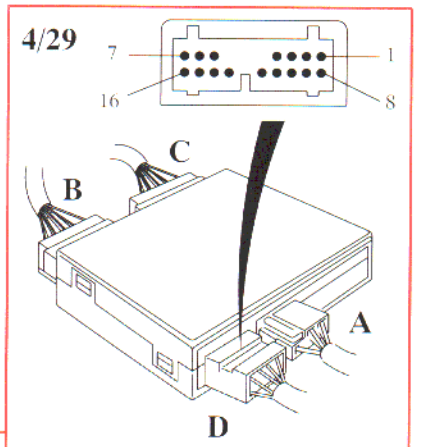
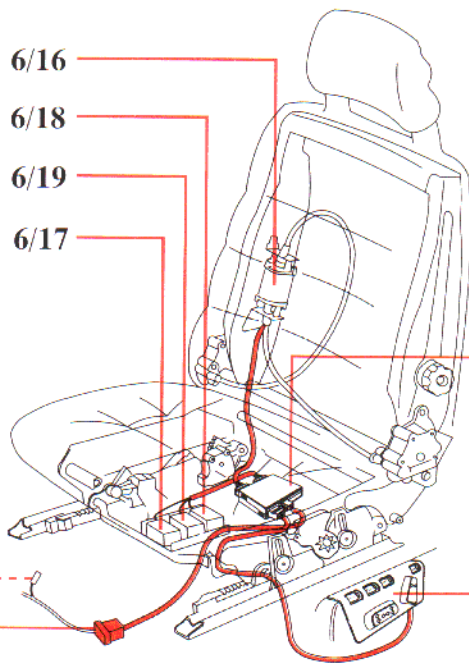
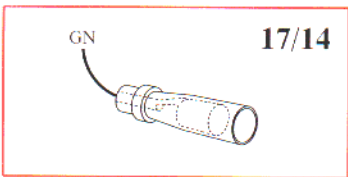
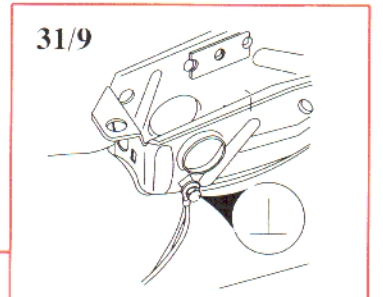
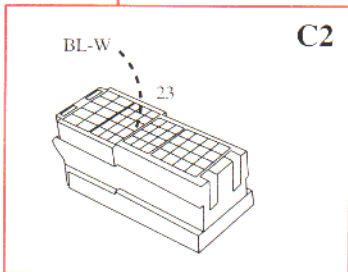
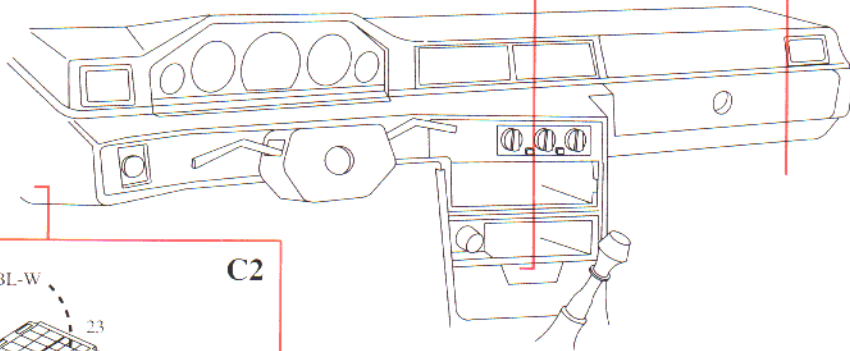
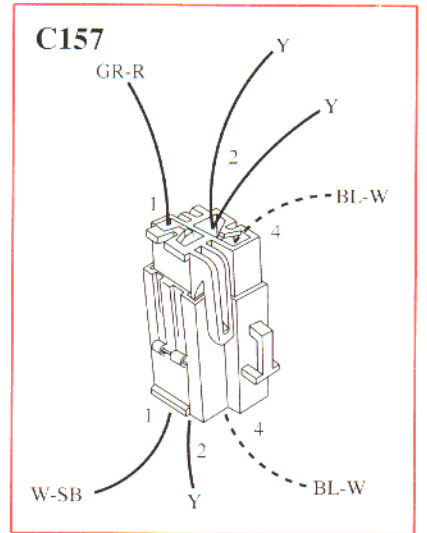
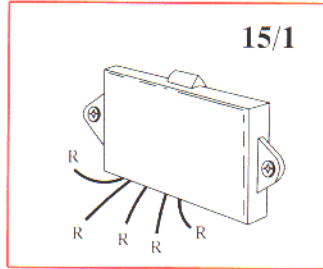
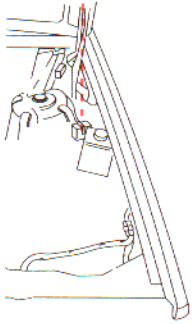
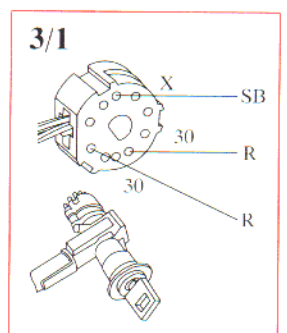
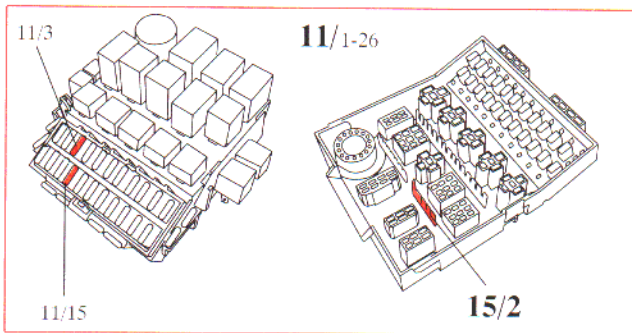
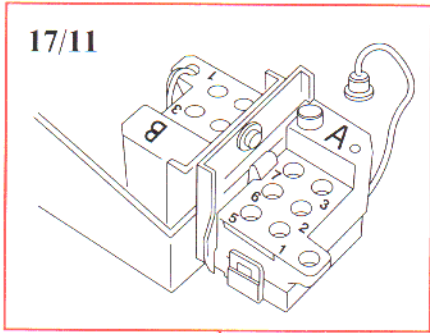


3/26



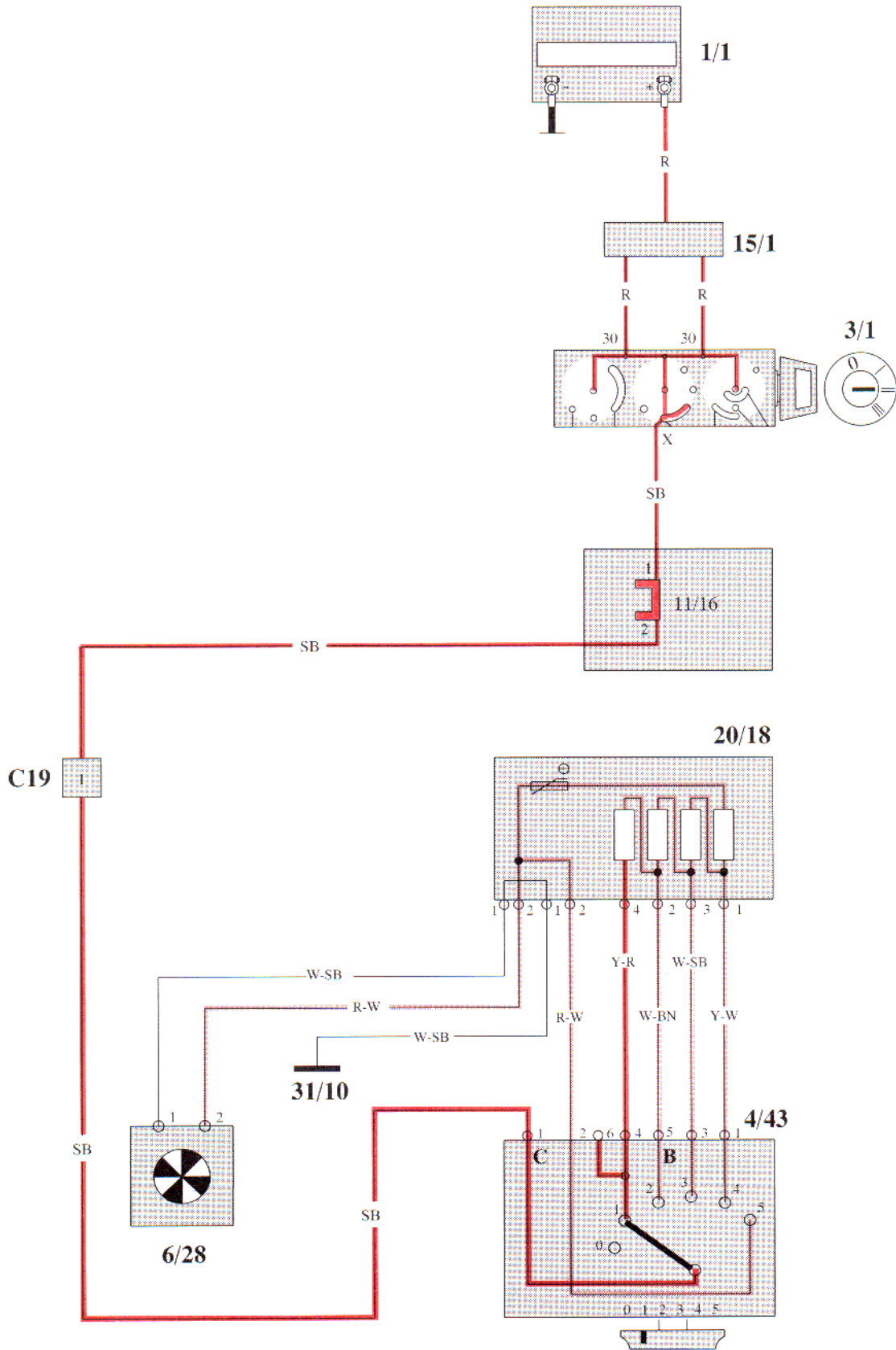
Power seat with memory

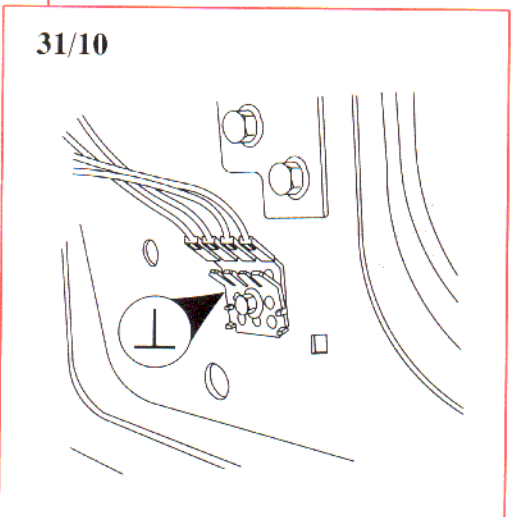
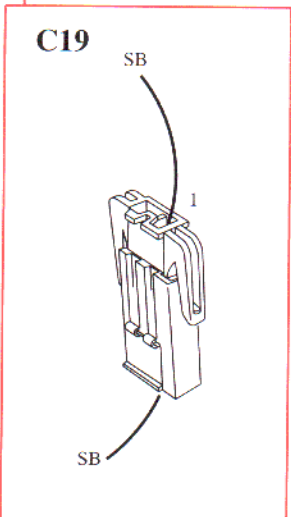
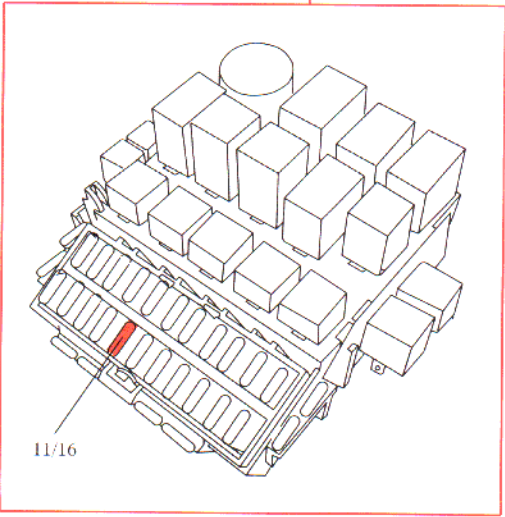
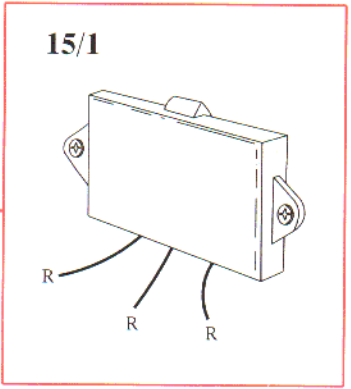
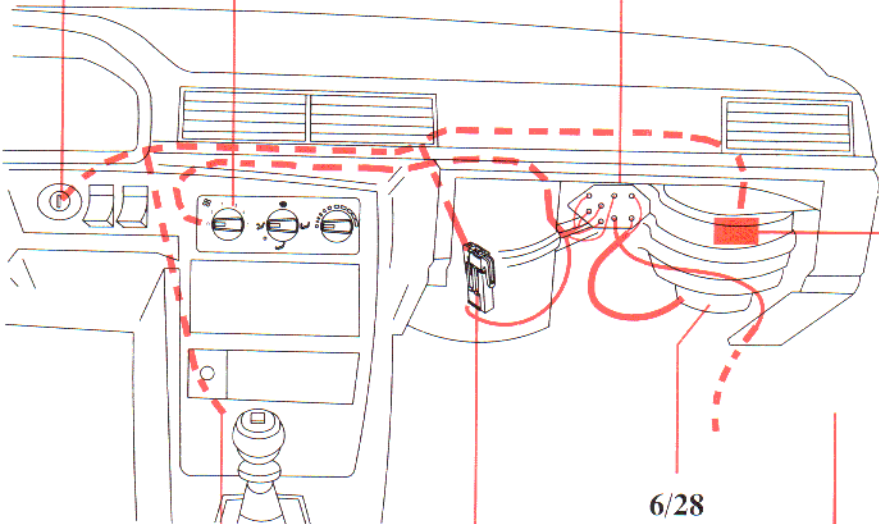
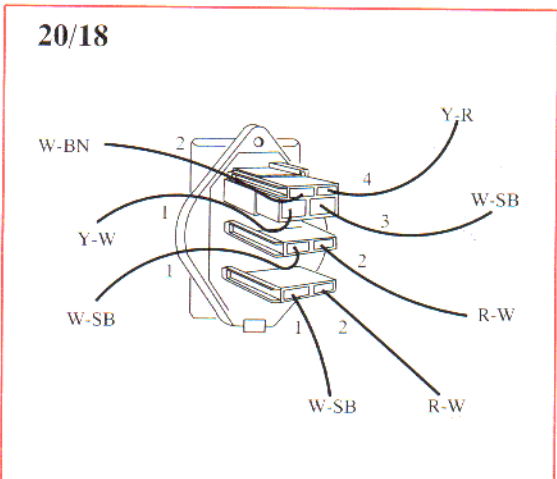
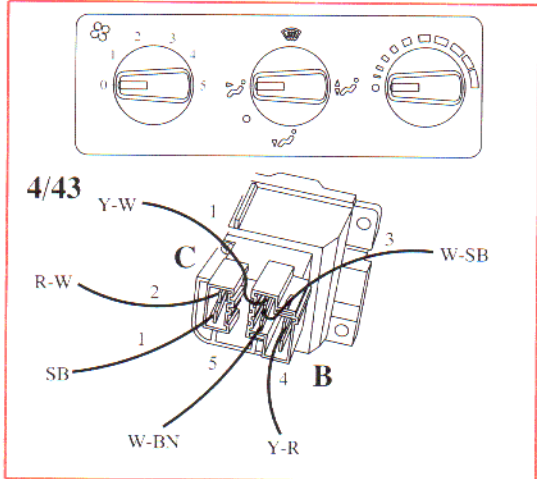
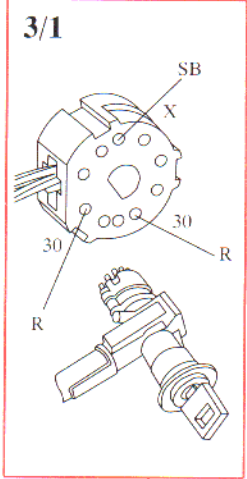




Cabin fan, standard heater

Fan operating at speed 1

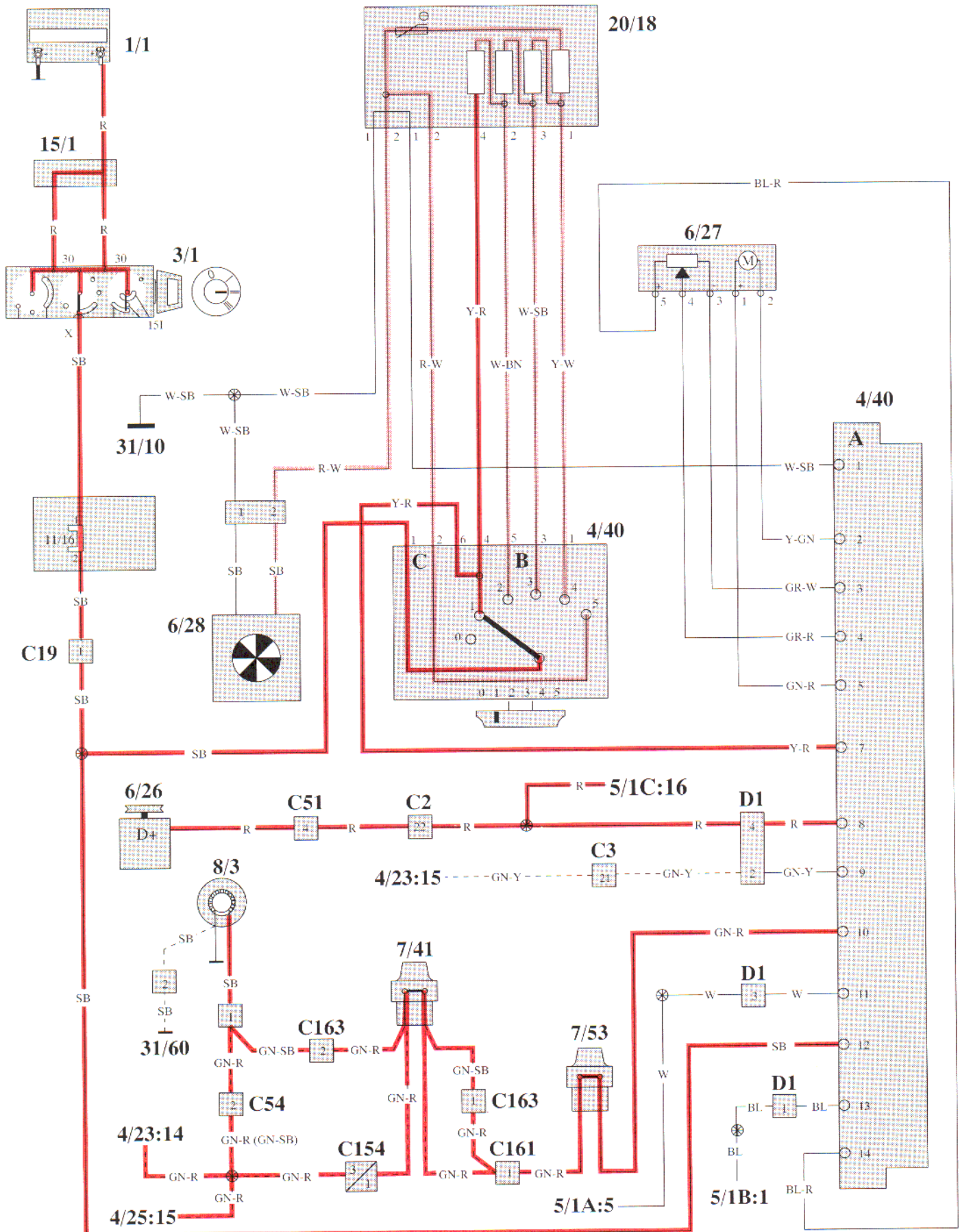


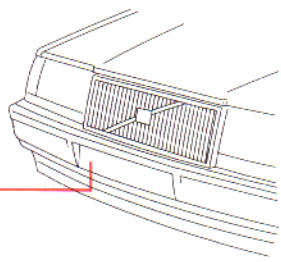
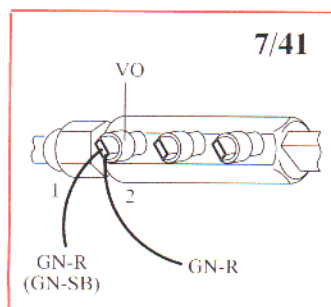
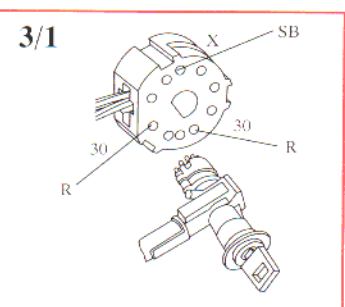
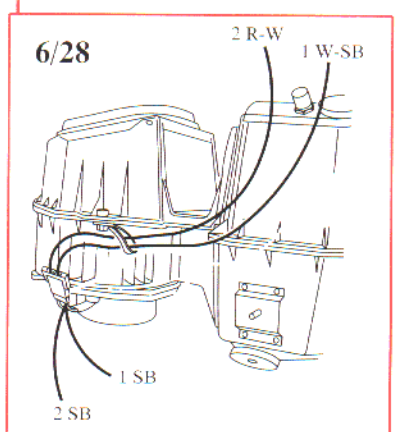
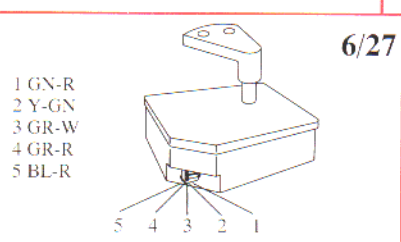
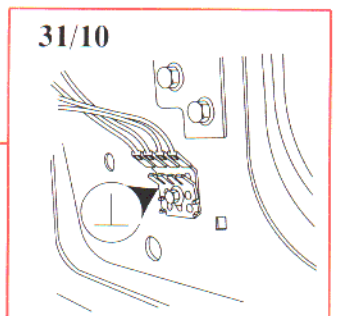
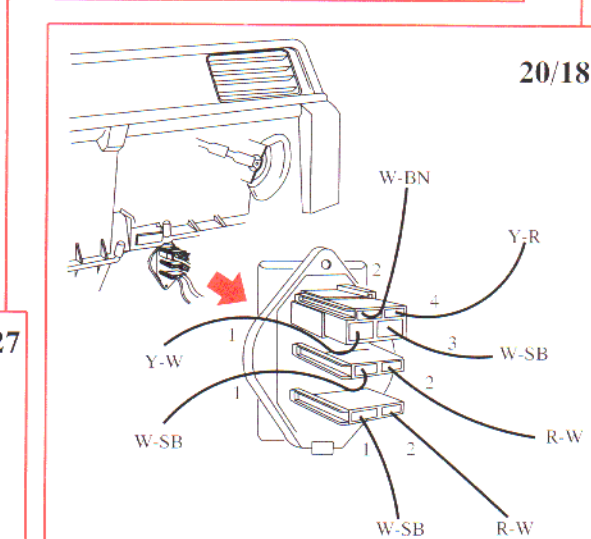
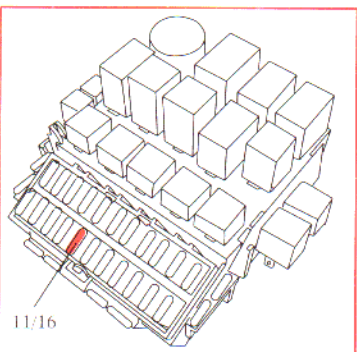
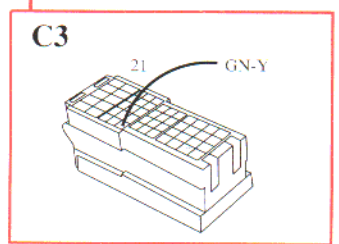
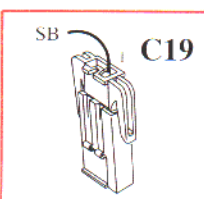
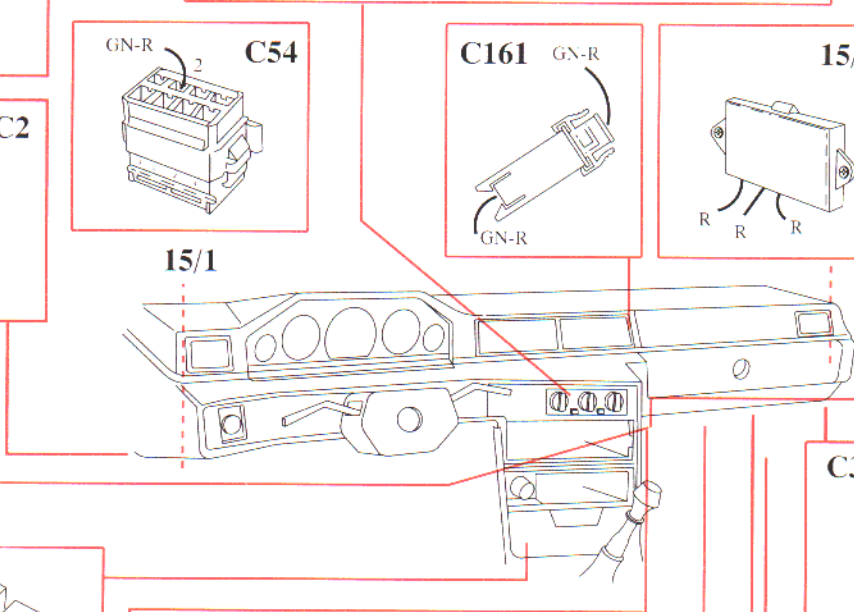
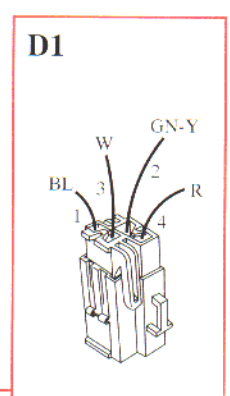
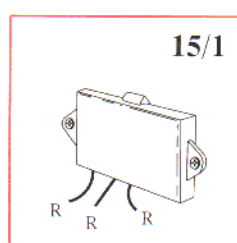
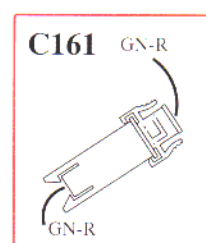
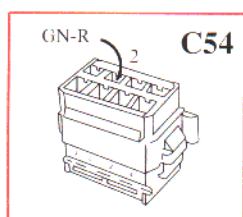
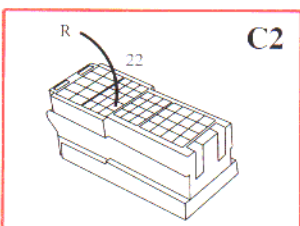
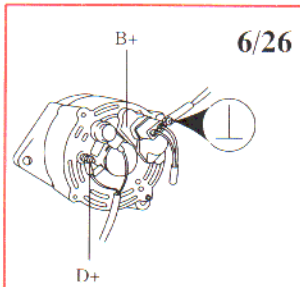
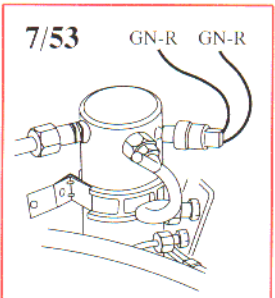
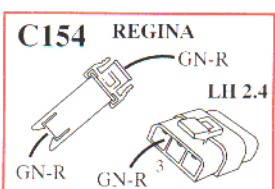
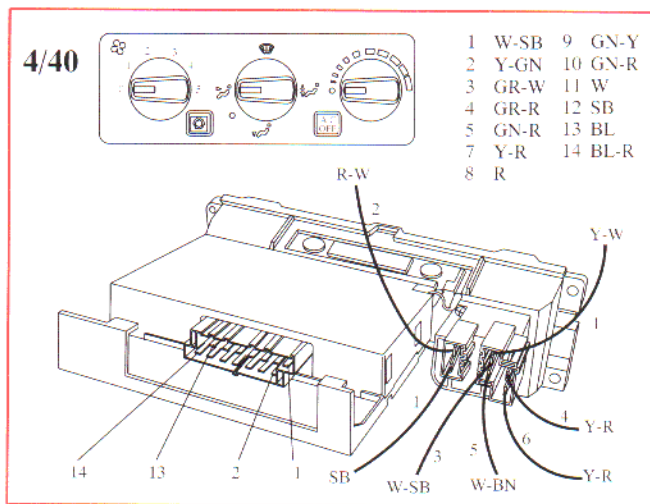
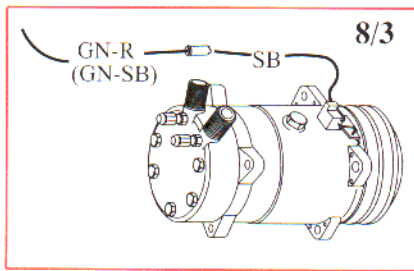


Manual Climate Control (MCC)

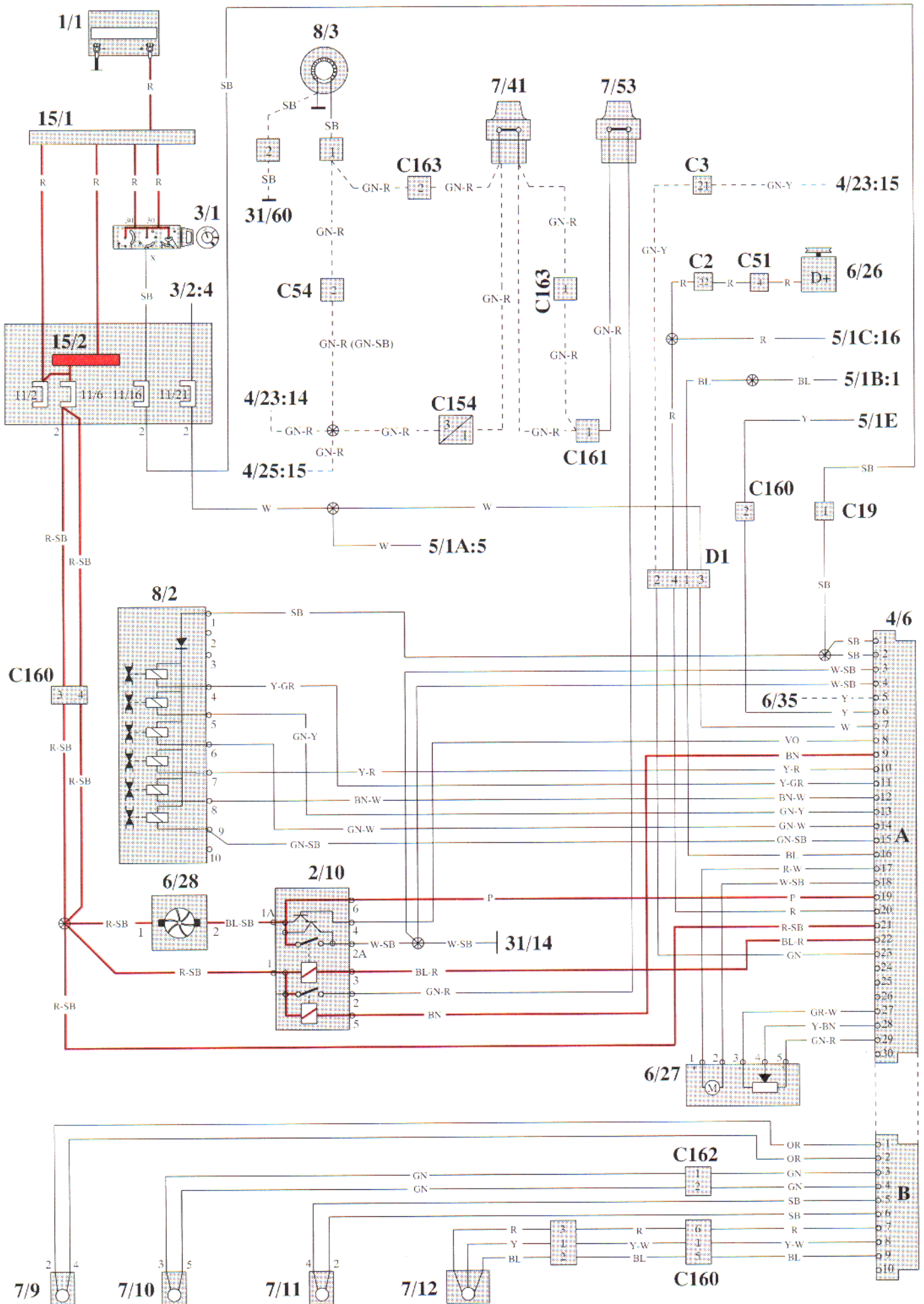
One precondition for the climate unit to work is that the fan must be ON, at any speed (signal from 4/40B:6 to 4/40A:7).

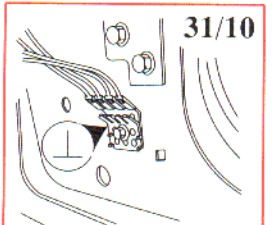
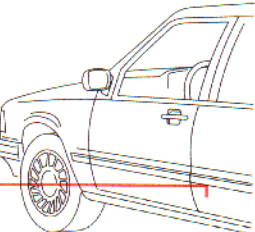
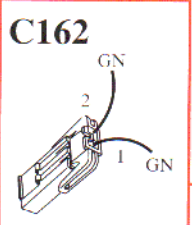
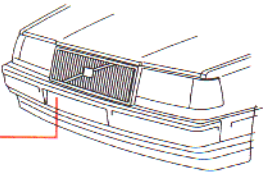
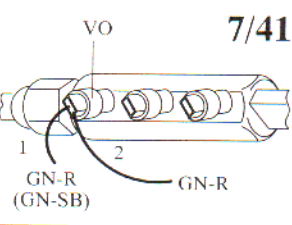
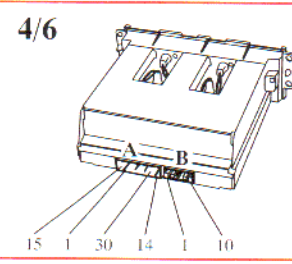
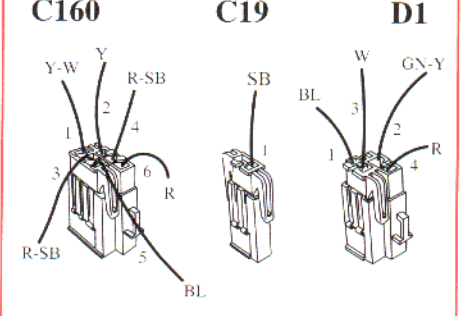
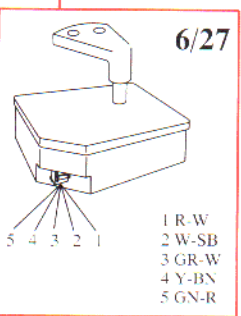
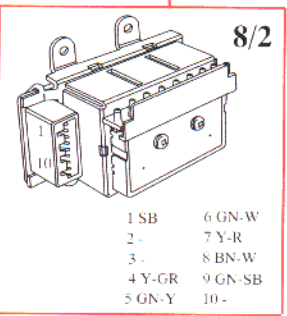
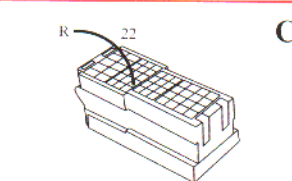
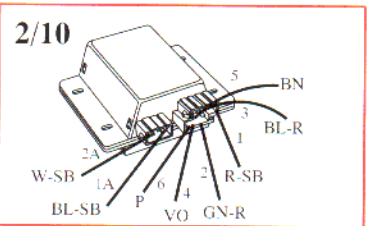
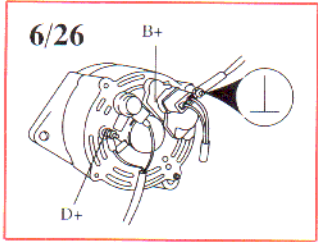
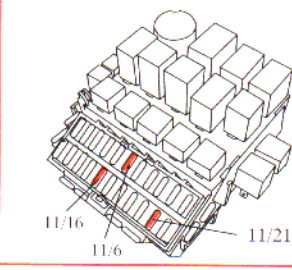
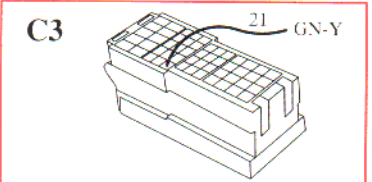
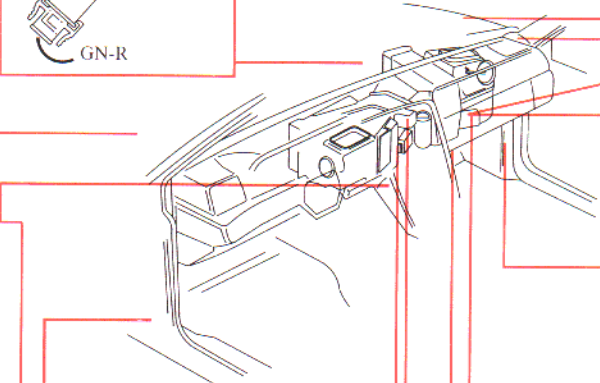
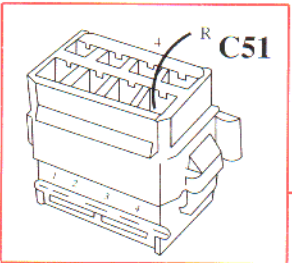
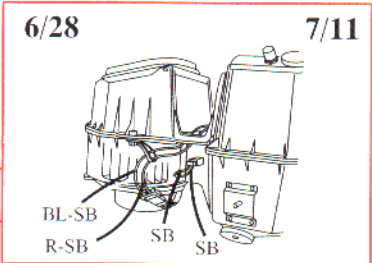
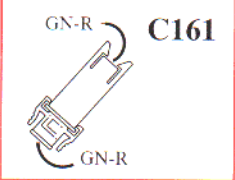
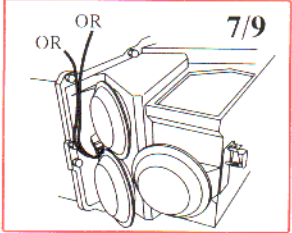
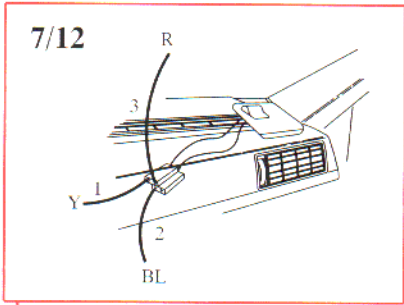
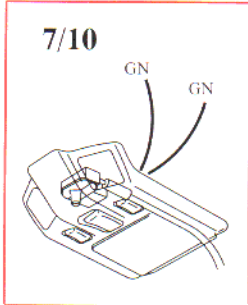
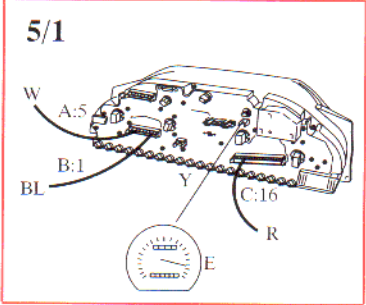
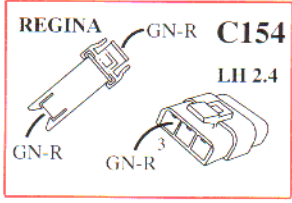
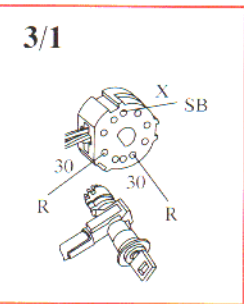
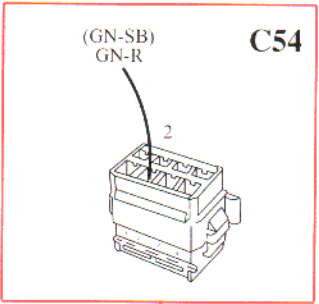
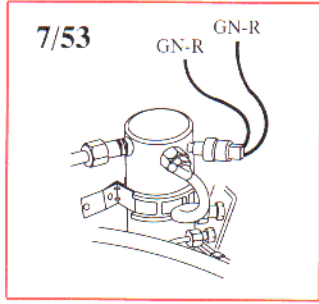
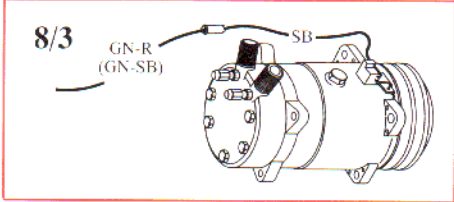
Fan at speed 1. Climate unit ON.



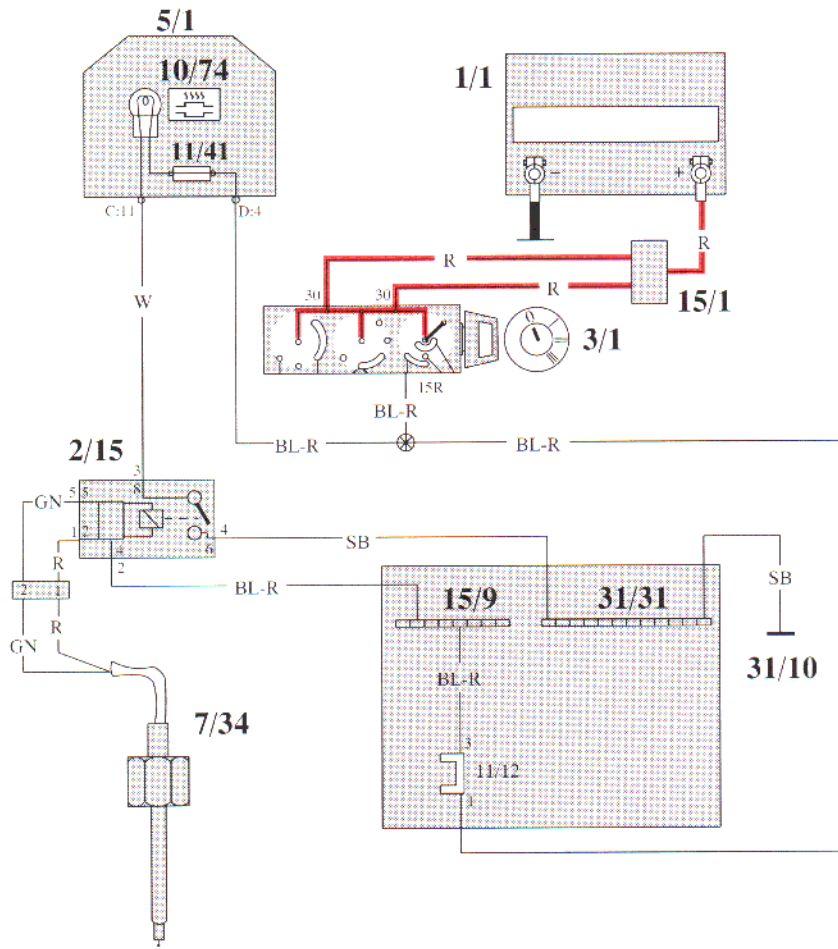


Electronic Climate Control (ECC)



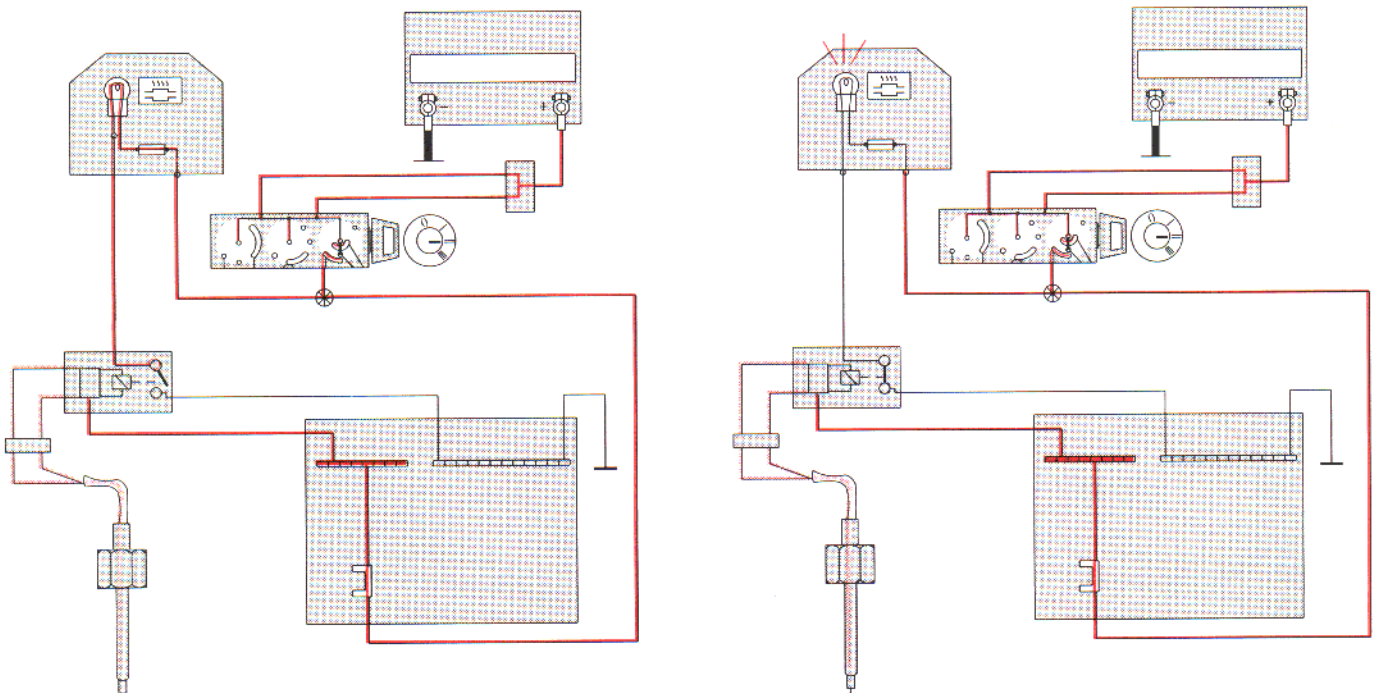


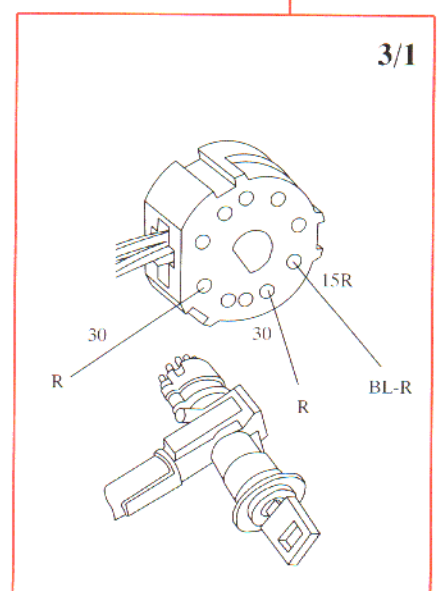
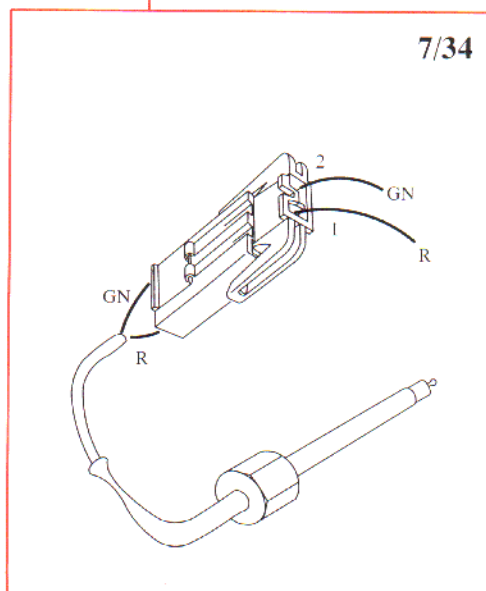
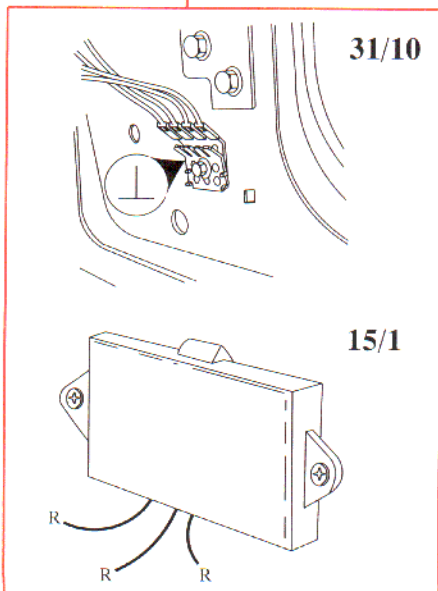
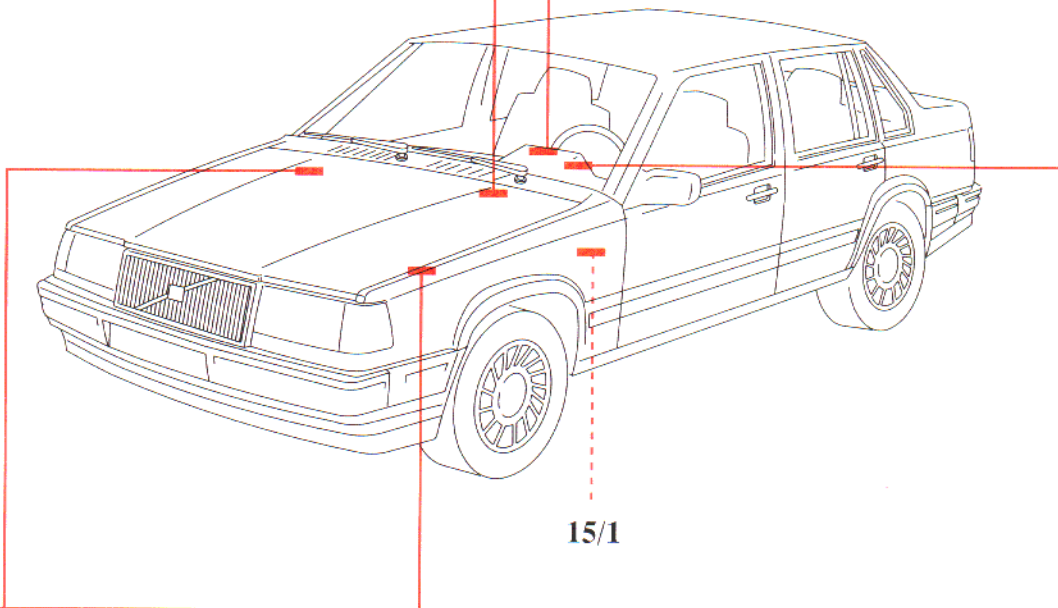
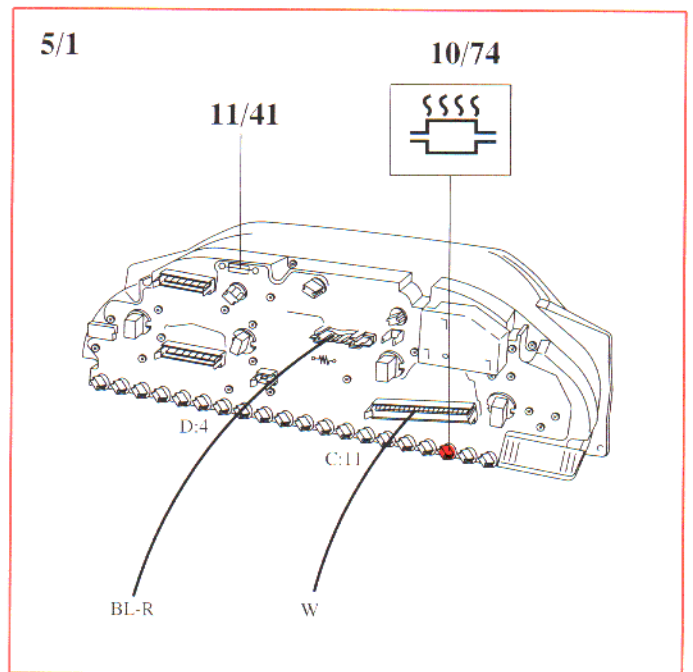
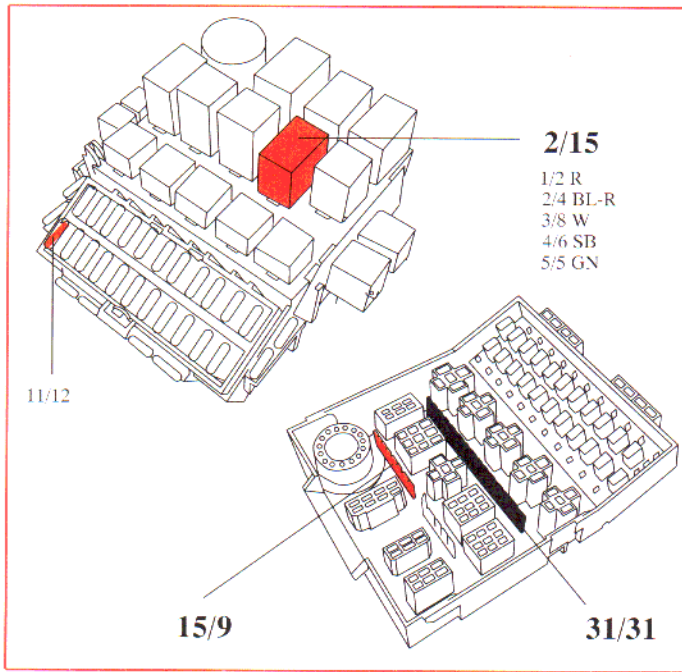
Exhaust temperature sensor (Japan)



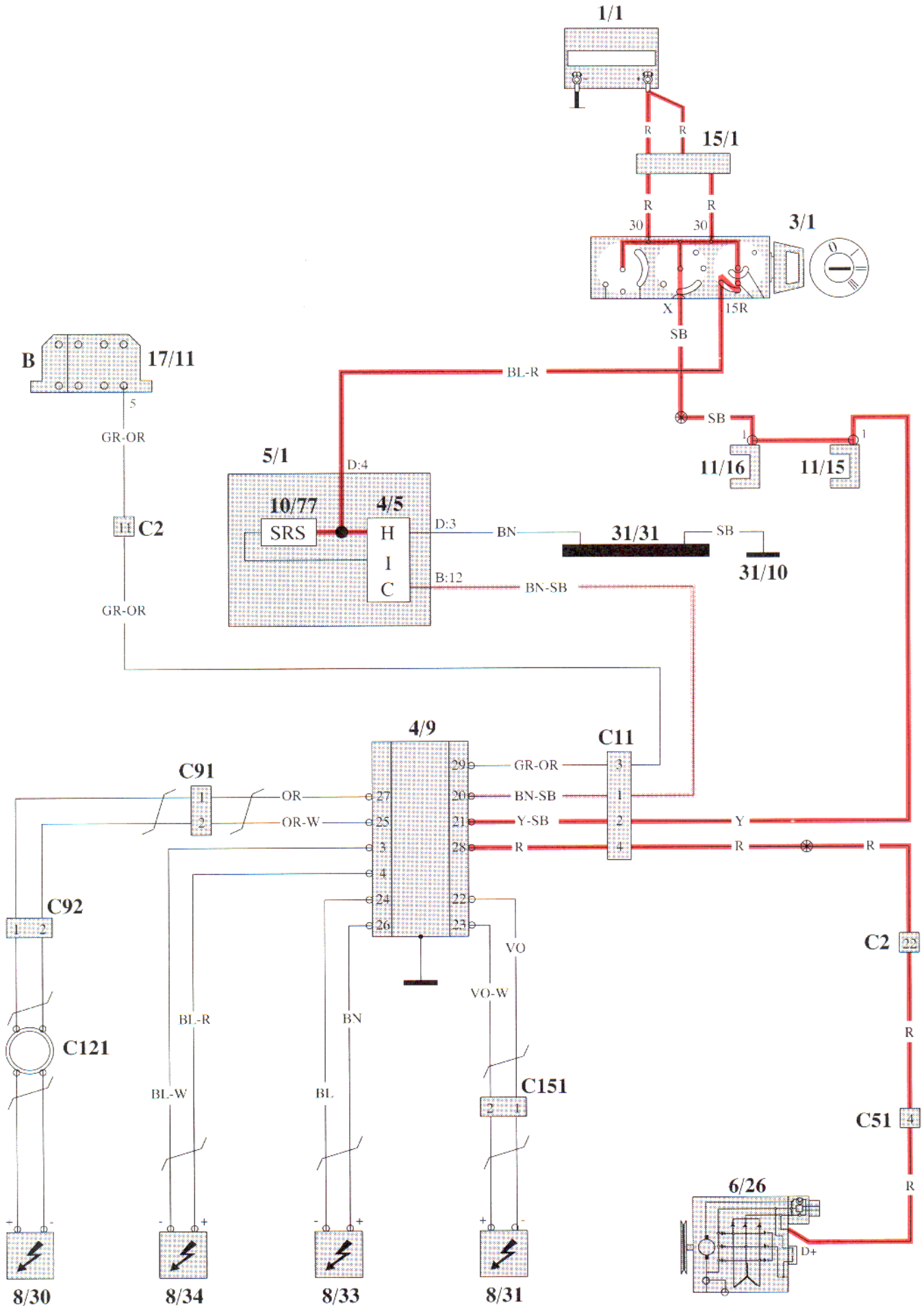
Exhaust gas temperature below 850°C

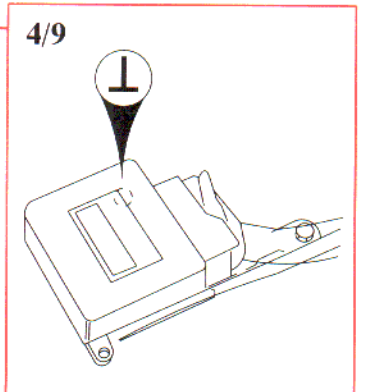
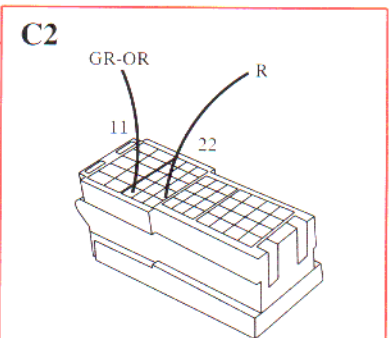
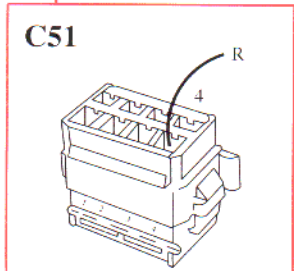
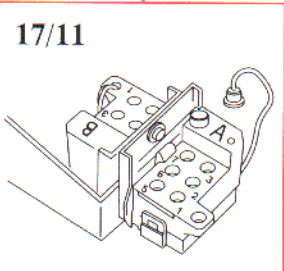
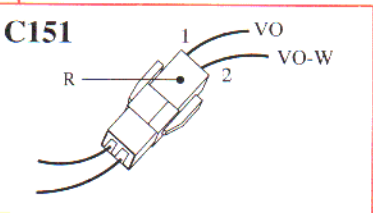
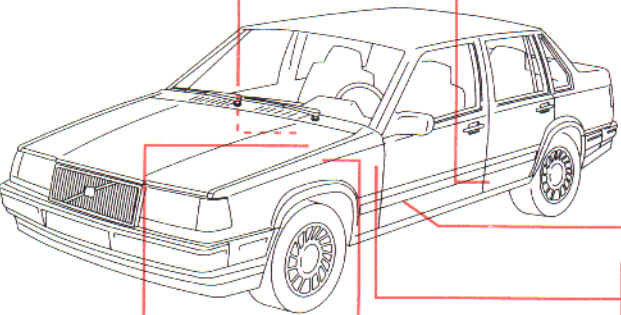
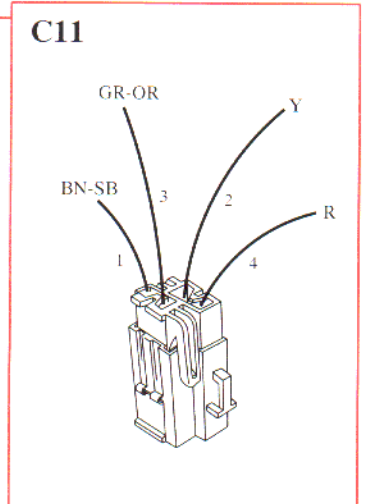
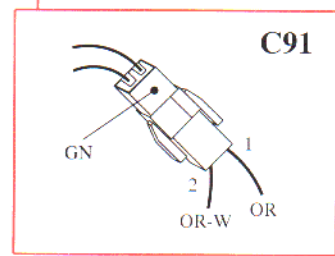
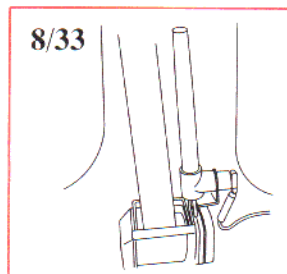
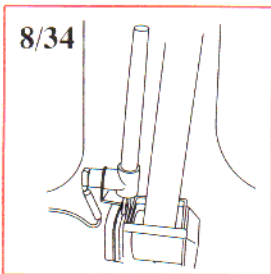
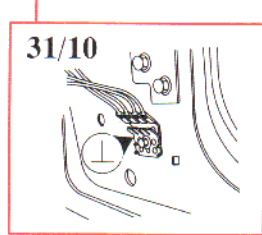
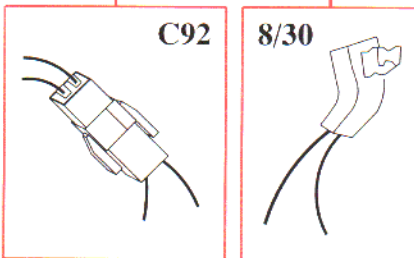
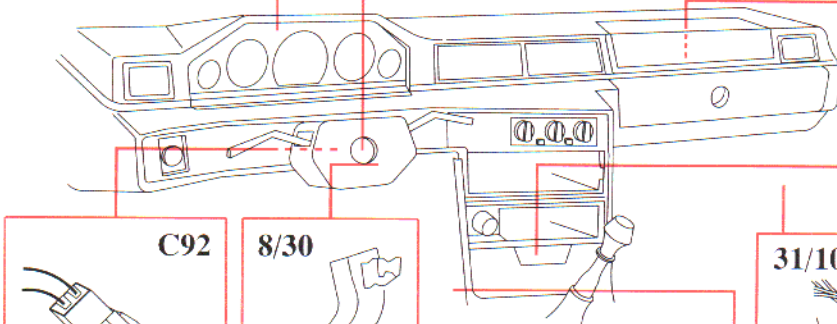
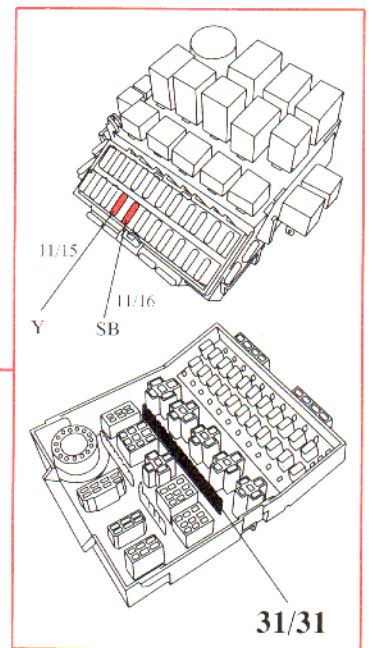
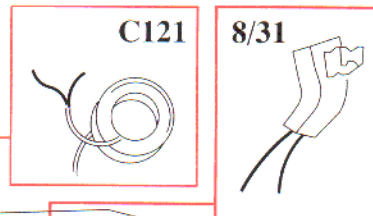
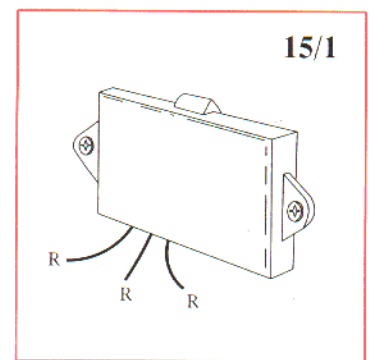
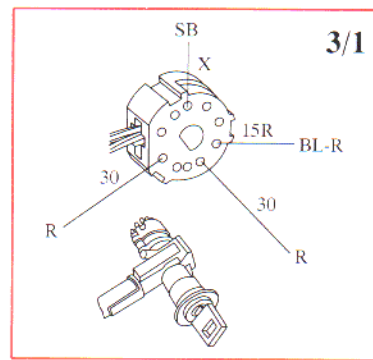
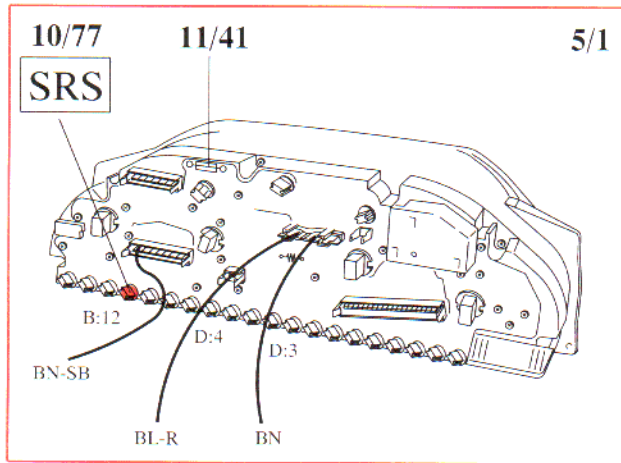
Exhaust gas temperature above 850°C



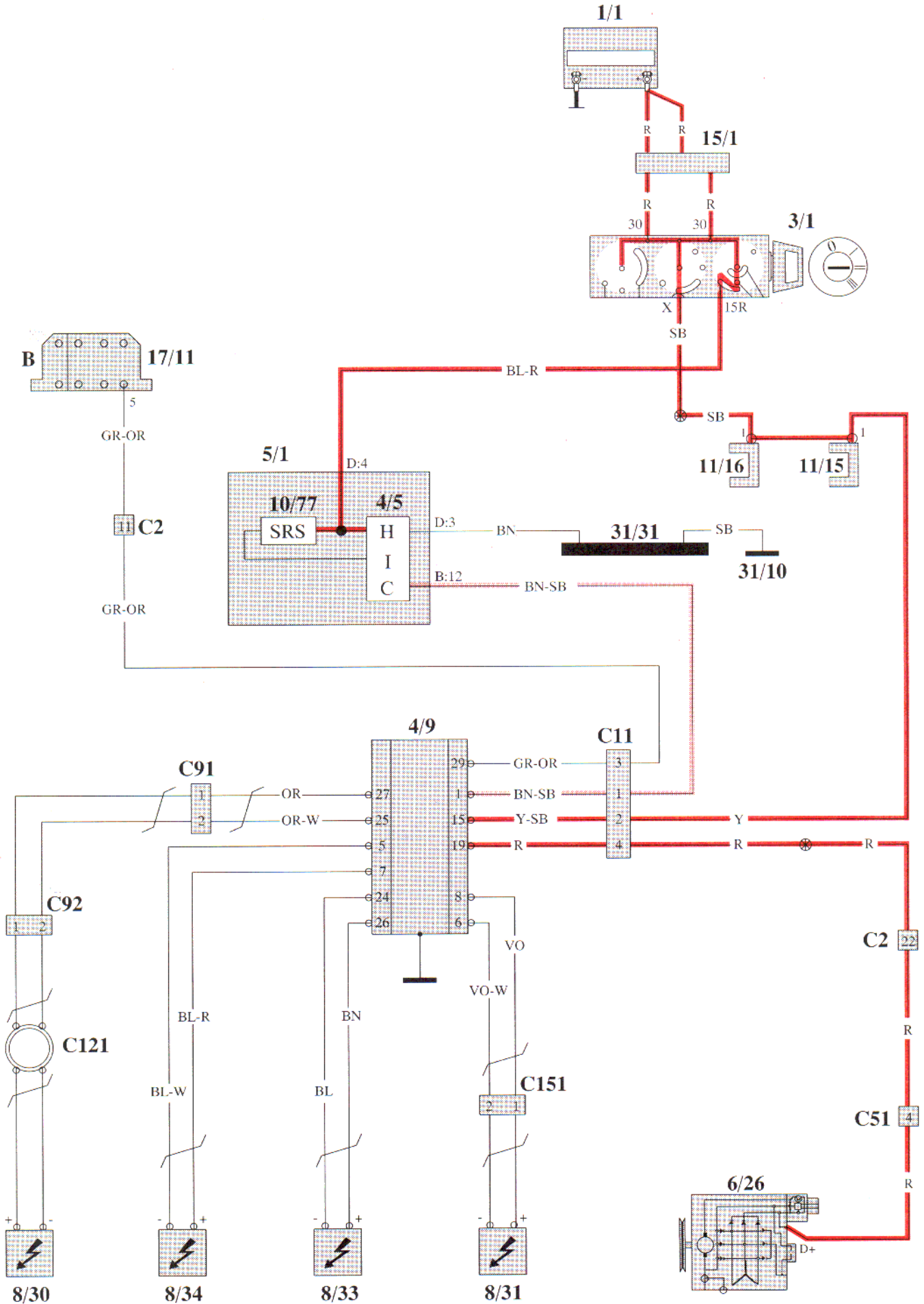


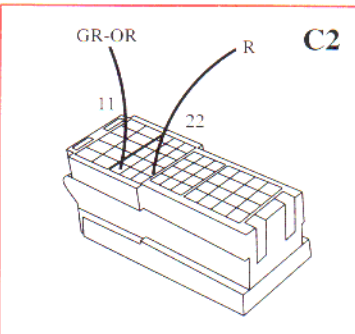
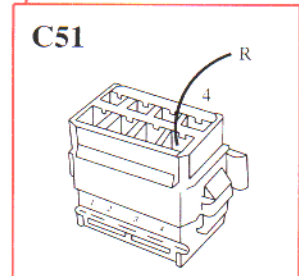
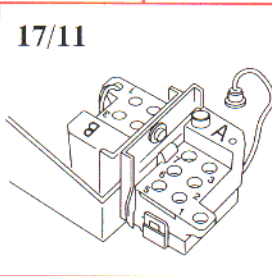
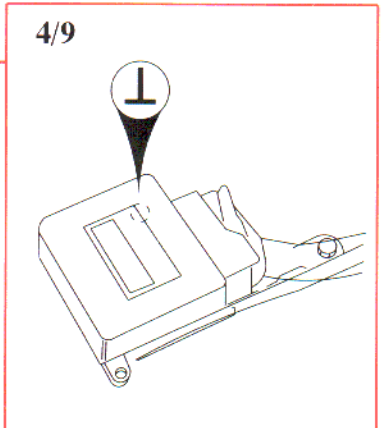
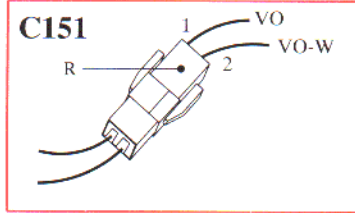
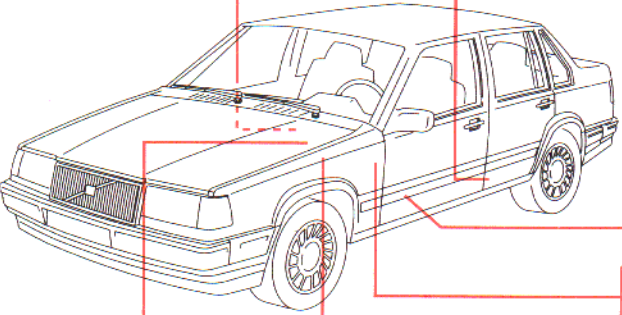
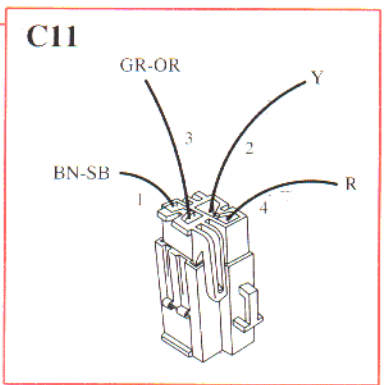
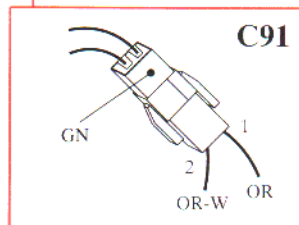
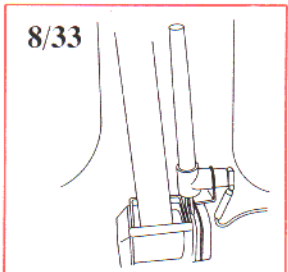
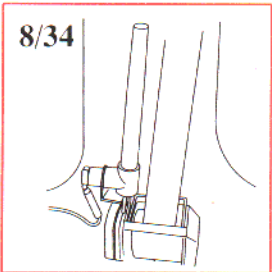
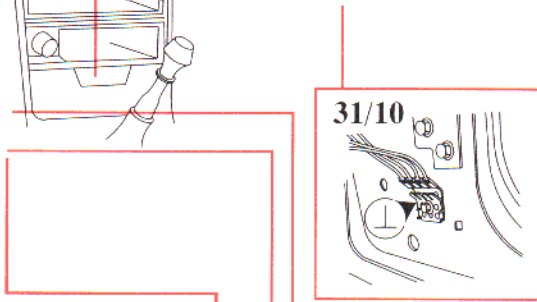
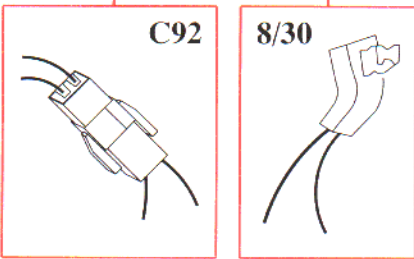
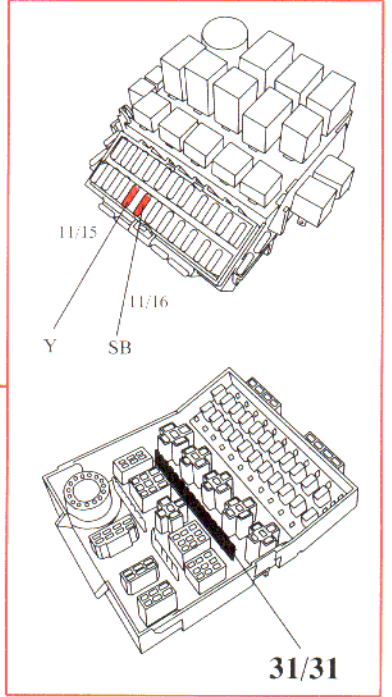
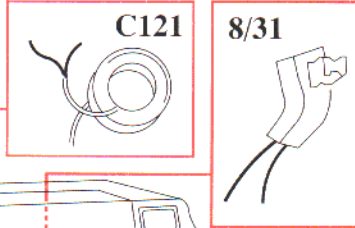
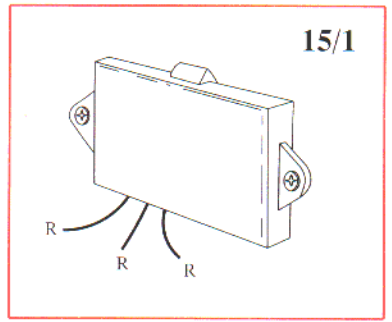
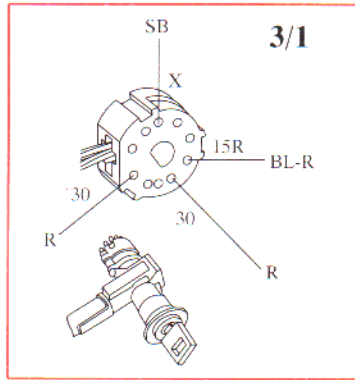
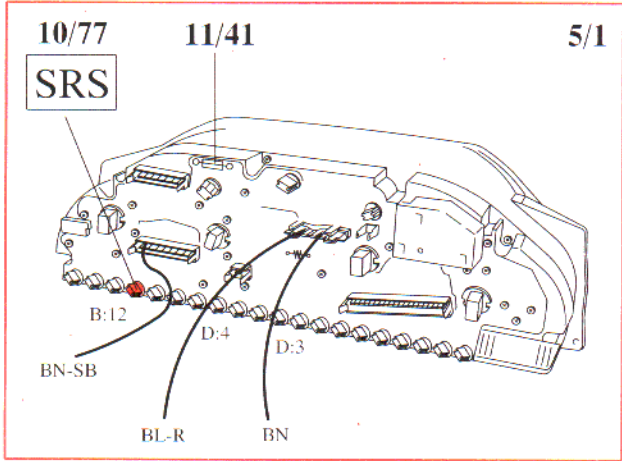
SRS Supplemental Restraint System (airbag)





SRS Supplemental Restraint System (airbag) USA, Canada





List of components

1/1	Battery	3/59	Beam width control
2/2	Relay, front foglights	3/66	Idle air control (IAC) control, EGR
2/3	Regulator DIM-DIP	3/70	Rheostat setting
2/4	Intermittent relay, windshield wipers	3/78	Lock unit, tailgate
2/5	Relay, seat belt reminder/ignition key warning	4/1	Overheating protector, driver's seat
2/6	Bypass relay 15I	4/2	Overheating protector, passenger's seat
2/7	Central locking relay	4/3	Control module, cruise control
2/8	Overdrive relay	4/4	Rheostat
2/10	Power unit ECC	4/5	Safety circuit, SRS (airbag)
2/11	Relay, engine cooling fan	4/6	Control module, ECC
2/12	Relay, radio interference suppression	4/9	Sensor module, SRS (airbag)
2/13	Relay, fuel injection (MFI)	4/10	Control module EZ-K (DI) system
2/14	Relay, glowplug mechanism	4/15	Power amplifier, EZ-K (DI) system
2/15	Relay, exhaust gas temperature sensor	4/16	Control module ABS
2/16	Tailgate intermittent wiper relay	4/23	Control module LH-jetronic 2.4 (MFI) system
2/23	Relay, fuel injection	4/25	Control module Regina (MFI) system
2/34	Relay, front foglights	4/26	Power amplifier/ignition coil REX-I (DI) system
2/36	Headlight flasher	4/29	Control module driver's seat
2/37	Headlight relay	4/40	A/C controls, MCC
2/38	Timer relay, exhaust gas recirculation (EGR)	4/42	Control module REX-I (DI) system
2/45	Relay, P-shift lock	4/43	Heater controls
2/50	Bypass relay, high beam	5/1	Combined instrument
3/1	Ignition lock	5/3	Ambient temperature sensor
3/2	Light switch	6/1	Windshield wiper motor
3/4	Cruise control operation	6/2	Washer motor, front
3/5	Switch, turn signal/high-low beam	6/3	Right headlight wiper motor
3/6	Switch, hazard warning flashers	6/4	Left headlight wiper motor
3/7	Foglight switch	6/5	Central locking motor, passenger's side front
3/8-1	Switch, heated rear window	6/6	Central locking motor, passenger's side rear
3/8-2	Switch with timer relay, heated rear window/door mirrors	6/7	Central locking motor, driver's side rear
3/9	Brake light switch	6/8	Central locking motor, tailgate
3/10	Backup (reversing) light switch	6/9	Window lift motor driver's door
3/12	Switch, windshield wash/wipe	6/10	Window lift motor driver's side rear
3/13	Switch, tailgate wash/wipe	6/11	Window lift motor passenger's side front
3/14	Switch, lock button	6/12	Window lift motor passenger's side rear
3/15	Power window switch, driver's door for driver's door	6/13	Power door mirror, driver's side
3/16	Power window switch, driver's door for driver's side rear door	6/14	Power door mirror, passenger's side
3/17	Power window switch, driver's door for passenger's side front	6/15	Motor, power sunroof
3/18	Power window switch, driver's door for passenger's side rear	6/16	Motor, driver's seat backrest
3/19	Power window switch, driver's side rear	6/17	Motor, up-down, front edge of driver's seat
3/20	Power window switch, passenger's side front	6/18	Motor, up-down, rear edge of driver's seat
3/21	Power window switch, passenger's side rear	6/19	Motor, fore-aft, driver's seat
3/22	Switch for rear power window lifts	6/24	Vacuum pump, cruise control
3/23	Switch for power door mirror, driver's side	6/25	Starter motor
3/24	Switch for power door mirror, passenger's side	6/26	Generator
3/25	Switch for power sunroof	6/27	Servo motor, throttle control
3/26	Operating module, driver's seat	6/28	Cabin fan motor
3/27	Operating module, passenger's seat	6/29	Engine cooling fan
3/28	Switch for heated driver's seat	6/30	Washer motor, tailgate
3/29	Switch for heated passenger's seat	6/31	Fuel pump
3/31	Door switch, driver's door	6/32	Tailgate wiper motor
3/32	Door switch, passenger's side front	6/33-1	Fuel level sensor/primer pump
3/33	Door switch, driver's side rear	6/33-2	Fuel level sensor/pump
3/34	Door switch, passenger's side rear	6/34	Power antenna
3/35	Door switch, tailgate (5-door estate)	6/35	Parking heater
3/36	Switch, glove compartment	6/36	Central locking motor, driver's side front
3/37	Horn contacts	6/38	Actuator, left
3/38	Switch, brake pedal	6/39	Actuator, right
3/39	Switch, clutch pedal	7/4	Brake fluid level sensor
3/40	Start inhibit switch, automatic transmission	7/5	Washer fluid level sensor
3/42-1	Switch on transmission	7/6	Oil pressure sensor
3/42-2	Oil pressure sensor, kick-down valve	7/7	Engine coolant temperature (ECT) sensor
3/43	Switch in gear lever	7/9	Engine coolant temperature (ECT) sensor, ECC
3/44	Seat belt lock, driver's seat	7/10	Cabin temperature sensor
3/47	Parking brake switch	7/11	Ambient temperature sensor
3/50	Throttle position (TP) switch	7/12	Solar sensor
3/52	Switch for power antenna	7/14	Thermostat, engine cooling fan
		7/15	Heated oxygen sensor (HO2S)
		7/16	Engine coolant temperature (ECT) sensor, fuel/ignition (MFI/DI) system

7/17	Mass air flow (MAF) sensor	10/45	Right parking/tail light
7/24	Knock sensor (KS)	10/46	Right rear foglight
7/25	Engine speed (RPM) sensor	10/47	Bulb, right rear turn signal
7/26	Pressure sensor, EGR	10/48	Right backup (reversing) light
7/28	Engine coolant temperature (ECT) sensor, diesel	10/50	Left brake light
7/30	Pressure sensor for charge pressure, turbodiesel	10/51	Left parking light, rear
7/31	Sensor, ABS left front	10/52	Left parking/tail light
7/32	Sensor, ABS right front	10/53	Left rear foglight
7/33	Sensor, vehicle speed (VSS) and ABS	10/54	Bulb, left rear turn signal
7/34	Thermoelement, three-way catalytic converter (TWC)	10/55	Left backup (reversing) light
7/37	Temperature sensor, EGR	10/64	Right high beam
7/38	Low-speed pressure sensor, engine cooling fan	10/65	Right extra high beam
7/40	High-speed pressure sensor, engine cooling fan	10/66	Right low beam
7/41	High-pressure sensor, A/C	10/68	Left high beam
7/43	Thermostat, driver's seat	10/69	Left extra high beam
7/44	Thermostat, passenger's seat	10/70	Left low beam
7/47	PTC-resistor, air pre-heating	10/72	Ashtray lighting, front
7/50	Pressure sensor, intake manifold	10/74	Indicator light, exhaust gas temperature
7/52	Temperature sensor, intake air	10/75	Indicator light, charge pressure, turbodiesel
7/53	Low-pressure sensor, A/C	10/76	Indicator light, diesel preheating
7/69	Ambient temperature sensor	10/77	Indicator light, SRS (airbag)
7/75	Bulb malfunction indicator	10/78	Indicator light, seat belt
8/1	Operating solenoid, overdrive	10/79	Indicator light, overdrive (auto.)/Gear selection indicator
8/2	Solenoids, ECC	10/80	Indicator light, overdrive (man.)
8/3	Solenoid coupling, A/C	10/82	Indicator light, ABS
8/5	Idle air control (IAC) valve	10/83	Indicator light, parking brake
8/6-9	Injection valves	10/84	Indicator light, brake warning
8/13	Fuel valve, diesel	10/85	Indicator light, high beam
8/15	Hydraulic unit, ABS	10/86	Indicator light, oil pressure
8/17	Converter, EGR	10/87	Indicator light, charge
8/24	3-way valve, EGR	10/88	Indicator light, bulb failure
8/30	Steering wheel module, SRS (airbag)	10/89	Indicator light, rear foglights
8/33	Igniter for left seat belt tensioner	10/90	Indicator light, washer fluid level
8/34	Igniter for right seat belt tensioner	10/91	Service indicator
8/36	Solenoid P-shift lock	10/92	Indicator light, trailer
8/42	Solenoid, pulsed secondary air injection (PAIR)	10/93	Indicator light, malfunction indicator lamp (MIL)
9/1	Cigar lighter	10/94	Indicator light, right turn signal
9/2	Heated rear window	10/95	Indicator light, left turn signal
9/3	Heater element, driver's seat backrest	10/96	Instrument lighting
9/4	Heater element, passenger's seat backrest	10/103	Switch lighting, heated rear window/door mirrors
9/5	Heater element, driver's seat cushion	10/104	Switch lighting
9/6	Heater element, passenger's seat cushion	10/114	Vanity mirror lighting, passenger's side
10/5	Left front foglight	10/115	Vanity mirror lighting, driver's side
10/6	Right front foglight	11/1-26	Fuses
10/11	Left front parking light	11/41	Fuse, combined instrument
10/12	Right front parking light	15/1	Positive terminal
10/13	Left front turn signal	15/2	30-rail in el. distribution unit
10/14	Right front turn signal	15/9	Fuse-protected 15-rail in el. distribution unit
10/15	Left turn signal repeater (not USA/CDN)	16/1	Radio
10/16	Right turn signal repeater (not USA/CDN)	16/2	Amplifier
10/19	Extra brake light	16/3	Loudspeaker, right front door
10/20	Left number plate light	16/4	Loudspeaker, left front door
10/21	Right number plate light	16/5	Loudspeaker, right rear door
10/22	Roof light	16/6	Loudspeaker, left rear door
10/24	Trunk light	16/7	Loudspeaker, instrument panel, right side
10/25	Roof light, load area (5-door)	16/8	Loudspeaker, instrument panel, left side
10/29	Glove compartment light	16/9	Antenna
10/30	Door-open warning light, driver's door	16/10	Horn 1
10/31	Door-open warning light, front passenger's side	16/11	Horn 2
10/32	Door-open warning light, rear driver's side	16/15	CD-autochanger
10/33	Door-open warning light, rear passenger's side	16/17	Loudspeaker, rear parcel shelf, left side/left D-post
10/36	Control panel lighting	16/18	Loudspeaker, rear parcel shelf, right side/right D-post
10/38	Ashtray lighting, rear		
10/39	Switch lighting, seat heater		
10/40	Gear selector lighting		
10/43	Right brake light		
10/44	Right parking light, rear		

The component list continues on the next page

17/1	Service data link connector for starter motor operation	C40	Connector, at passenger's seat, 4-pin
17/11	OBD data link connector	C41	Connector, under driver's seat, 6-pin
17/14	Data link connector for diagnosis of power seat	C42	Connector, under driver's seat, 2-pin
		C50	Connector, 8-pin
18/1	Bridge connector 1		Left wheel housing harness - Engine harness
18/2	Bridge connector 2	C51	Connector, 8-pin
			Left wheel housing harness - Engine harness
19/1	Engine coolant temperature (ECT) gauge	C54	Connector, 8-pin
19/2	Rev. counter (RPM gauge)		Right wheel housing harness - Engine harness
19/3	Speedometer	C55	Connector, 8-pin
19/4	Clock		Right wheel housing harness - Engine harness
19/5	Fuel gauge	C62	Connector, at windshield wiper motor, 4-pin
		C63	Connector, at left headlight, 3-pin
20/1	Ignition coil	C64	Connector, at right headlight, 3-pin
20/2	Distributor	C65	Connector, driver's door, 6-pin
20/3-6	Spark plugs	C66	Connector, passenger's door, 6-pin
	Glowplugs	C72	Connector, driver's door, 2-pin
5	Series resistance	C73	Connector, passenger's door, 2-pin
8	Cabin fan resistor	C74	Connector, rear door driver's side, 2-pin
		C75	Connector, rear door passenger's side, 2-pin
	Ground connector right front wing	C76	Connector, right A-post, 2-pin
	Ground connector left front wing	C79	Connector, driver's door, 4-pin
	Ground connector body (ground connection, battery-body)	C84	Connector, driver's door, 2-pin
	Ground connector engine (ground connection, battery-engine)	C85	Connector, rear door driver's side, 2-pin
	Ground connector for heated rear window (4-door)	C86	Connector, passenger's door, 2-pin
	Ground connector left A-post	C87	Connector, rear door passenger's side, 2-pin
	Ground connector at parking brake lever	C88	Connector, at switch, 5-pin
0	Ground connector right A-post	C89	Connector, at sunroof motor, 2-pin
1	Ground connector left tail light	C91	Connector, at el. dist. unit, 2-pin
2	Ground connector right tail light	C92	Connector, behind steering wheel, 2-pin
3	Ground connector in load area	C93	Connector, left rear wheel housing, 4-pin
6	Ground connector at windshield wiper motor	C98	Connector, at power antenna, 4-pin
7	Ground connector at power sunroof motor	C100	Connector, left wheel housing, 2-pin
6	Ground connector, generator	C101	Connector, right wheel housing, 2-pin
8	Ground connector at overdrive solenoid	C102	Connector, at el. dist. unit, 2-pin
1	Ground connection rail in el. distribution unit	C105	Connector on bridge connector 1, 2-pin
2	Ground connector on engine (power ground)	C111	Connector, at thermoelement, 2-pin
3	Ground connector on engine (signal ground)	C117	Connector, 2-pin
0	Ground connector on engine (diesel)		Left wheel housing harness - Engine harness
3	Ground connector at steering column bracket	C121	Coupling reel, steering wheel, SRS (airbag)
4	Ground connector engine cooling fan	C123	Connector to bridge connector 2, 2-pin
		C132	Connector, 8-pin
			Left wheel housing harness - Engine harness
	Connector, 53-pin	C137	Connector, 4-pin
	Instrument panel harness - Door sill harness		Right wheel housing harness - Engine harness
	Connector, 53-pin	C139	Connector, at gear selector, 4-pin
	Instrument panel harness - Left wheel housing harness	C143	Connector, at A-post passenger's side, 24-pin
	Connector, 53-pin	C144	Connector, at A-post driver's side, 24-pin
	Instrument panel harness - Right wheel housing harness	C149	Connector, at B-post passenger's side, 11-pin
	Connector, left A-post, 2-pin	C150	Connector, at B-post driver's side, 11-pin
	Connector, at el. dist. unit, 4-pin	C154	Connector, 3-pin or 1-pin
	Connector, at steering column, 8-pin		Right wheel housing harness - engine cooling fan harness
	Connector, at centre console, 10-pin	C155	Connector, left A-post, 8-pin
C11	Connector, at el. dist. unit, 4-pin	C156	Connector, at firewall, 3-pin
C12	Connector, at el. dist. unit, 2-pin	C157	Connector, at el. dist. unit, 4-pin
C14	Connector, at el. dist. unit, 2-pin	C158	Connector, at driver's seat, 4-pin
C15	Connector, left A-post, 4-pin	C160	Connector, at instrument panel, 6-pin
C19	Connector, at instrument panel, 2-pin	C161	Connector, at firewall, 1-pin
C20	Connector, under gear lever carrier, 1-pin or 2-pin	C162	Connector, left B-post, 2-pin
C21	Connector, left B-post, 4-pin	C163	Connector, at firewall, 2-pin (diesel)
C22	Connector, at tailgate, 6-pin (5-door)	C166	Connector, at el. dist. unit, 8-pin
C23	Connector, at tailgate, 2-pin (5-door)	C300	Connector, at firewall, 4-pin
C24	Connector, at extra brake light, 2-pin		(for heated oxygen sensor (HO2S))
C25	Connector, tailgate, 2-pin, (5-door)	C301	Connector, at instrument panel for vanity mirror, passenger's side
C27	Connector, tailgate, 1-pin, (5-door)	C302	Connector, at instrument panel for vanity mirror, driver's side
C29	Connector, at driver's seat, 4-pin		
C31	Connector, at passenger's seat, 2-pin	D1	Connector, at instrument panel, 4-pin
C32	Connector, at driver's seat, 2-pin	D2	Connector, alarm, 8-pin at steering column
C33	Connector, under driver's seat, 2-pin	D3	Connector, alarm, 4-pin at steering column
C34	Connector, under passenger's seat, 2-pin	D4	Connector, alarm, 2-pin in engine compartment, left front
C36	Connector, under passenger's seat, 2-pin		
C37	Connector, under driver's seat, 2-pin	D5	Connector, towing hook, 10-pin (not USA/CDN)
C39	Connector, at driver's seat, 4-pin	D7	Connector, ambient temperature sensor, 6-pin

Alphabetical index

ABS brake system	134
Ambient temperature gauge	118
Anti-theft alarm, pre-routed wiring	100
Backup (reversing) lights	68
Beam width control	58
Brake light	64, 66
Bulb malfunction indicator	104, 106, 108
Cabin fan, standard heater	156
Central locking	138
Cigar lighter	96
Combined instrument	114
Component list (foldout)	at end of book
Cruise control	30, 32
On-board diagnostic system (OBD)	98
Diesel, pre-heating, overload sensor and EGR (D 24 TIC)	44
Electrical distribution unit, relays, fuses.....	4, 5, 6, 7
Electronic climate control (ECC)	160
Engine cooling fan	28
Exhaust gas temp. sensor (Japan)	162
Foglights	78, 80
Foglights, rear, USA/Canada	84
Glove compartment and vanity mirror lights	70
Ground connections	20
Headlight wash/wipe	90
Heated driver's/passenger's seat	148, 150
Heated rear window and door mirrors with timer relay	142, 144
High and low beams	46, 48, 50, 54, 56
Horn	88
Ignition system	34, 36, 38
Instrument and panel lights	76
Interior lights	72
LH-jetronic 2.4 (MFI)	22, 24
Luggage compartment light	74
Manual climate control (MCC)	158
Overdrive	128, 130
P-Shift lock, automatic transmission	132
Parking, tail and number plate lights	60, 62
Power door mirrors	146
Power seats	152, 154
Power sunroof	140
Power supply	40
Power windows	136
Pre-routed wiring for alarm	100
Radio connections	120, 122, 124, 126
Reduced intensity (DIM-DIP) Great Britain	52
Regina (MFI) (B 230 F)	26
Seat belt reminder	110, 112
Speedometer and odometer	116
SRS Supplemental Restraint System	164, 166
Starter system	42
Tailgate wash/wipe	94
Towing hook, pre-routed wiring	102
Turn signals - hazard warning lights	86
Windshield wash/wipe	92